

E98707



Collection: TOOBI

Finish*:



CP - Chrome

Features

- DIMENSIONS: 16.60 x 11.30 cm
- MATERIAL: 54
- NORMS AND REGULATION: ACS (Certificate of Sanitary Compliance):10 ACC LY 004
- WEIGHT: 1.8 kg
- INSTALLATION TYPE: Built-in
- Installation avec le boîtier universel Modulo 98699D

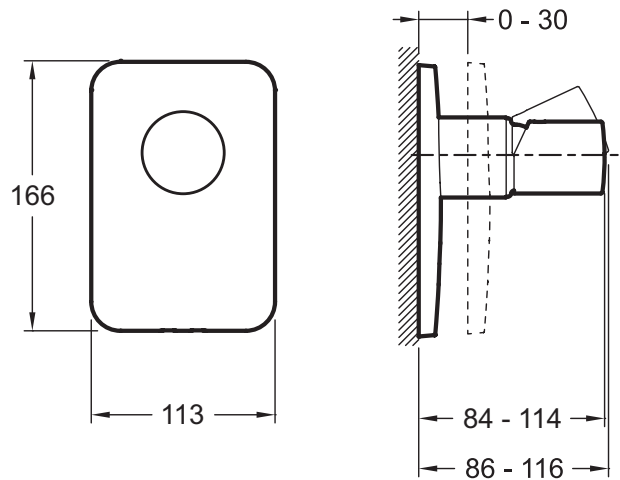
Consumer benefits

- Natural water FLOW
- Flow REGULATOR

Required products

- 98699D: Universal recessed box

Technical drawing



Product Specification: Built-in shower mixer - no diverter - Toobi trim and lever. E98707. Collection: TOOBI. DIMENSIONS: 16.60 x 11.30 cm. WEIGHT: 1.8 kg. MATERIAL: 54. INSTALLATION TYPE: Built-in. NORMS AND REGULATION: ACS (Certificate of Sanitary Compliance):10 ACC LY 004. Installation avec le boîtier universel Modulo 98699D.