

E98719



Collection: TOOBI

Finish*:



CP - Chrome

Features

- WEIGHT: 2.5 kg
- MATERIAL: Metal
- INSTALLATION TYPE: Built-in
- NORMS AND REGULATION: ACS (Certificate of Sanitary Compliance): 10 ACC LY 004
- Automatic diverter with locking option

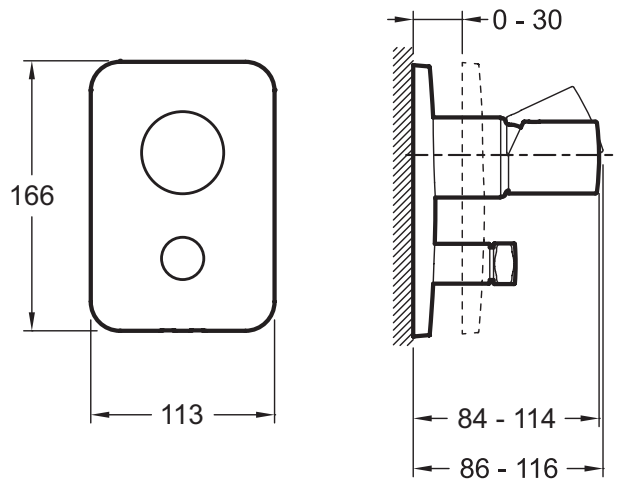
Consumer benefits

- Natural water FLOW
- Flow REGULATOR

Required products

- 98699D: Universal recessed box

Technical drawing



Product Specification: Two-way shower mixer, Toobi trim and lever. E98719. Collection: TOOBI. WEIGHT: 2.5 kg. MATERIAL: Metal. INSTALLATION TYPE: Built-in. NORMS AND REGULATION: ACS (Certificate of Sanitary Compliance): 10 ACC LY 004. Automatic diverter with locking option.

**Due to possible variations in computer and printer calibrations, technical factors and certain finish characteristics, the colors you see may not accurately portray the actual colors and are provided as a guide only.*