

Sink S3000 1315 06x

Sinks

Code: 1315 06x

Code: 1315 061 DX (Vasca a destra)

Code: 1315 062 SX (Vasca a sinistra)



DETAILS

Material AISI 304 stainless steel

Texture Foster brushed

Base 90 cm

Edge/Installation Type Flush-mount | Top-mount

Dimensions 1173x513 mm

Standard fittings Fixing hooks, gasket, drain, overflow and siphon, boxed packing

Mixer holes 1 standard hole

Built-in hole View technical data sheet (for all Flush-mount / Top-mount models and Under-mount models)

Drainer Yes

Width 117 cm

Bowl dimension 400x400 + 340x400mm

Number of bowls 2 bowls

Waste fitting 3,5" drain

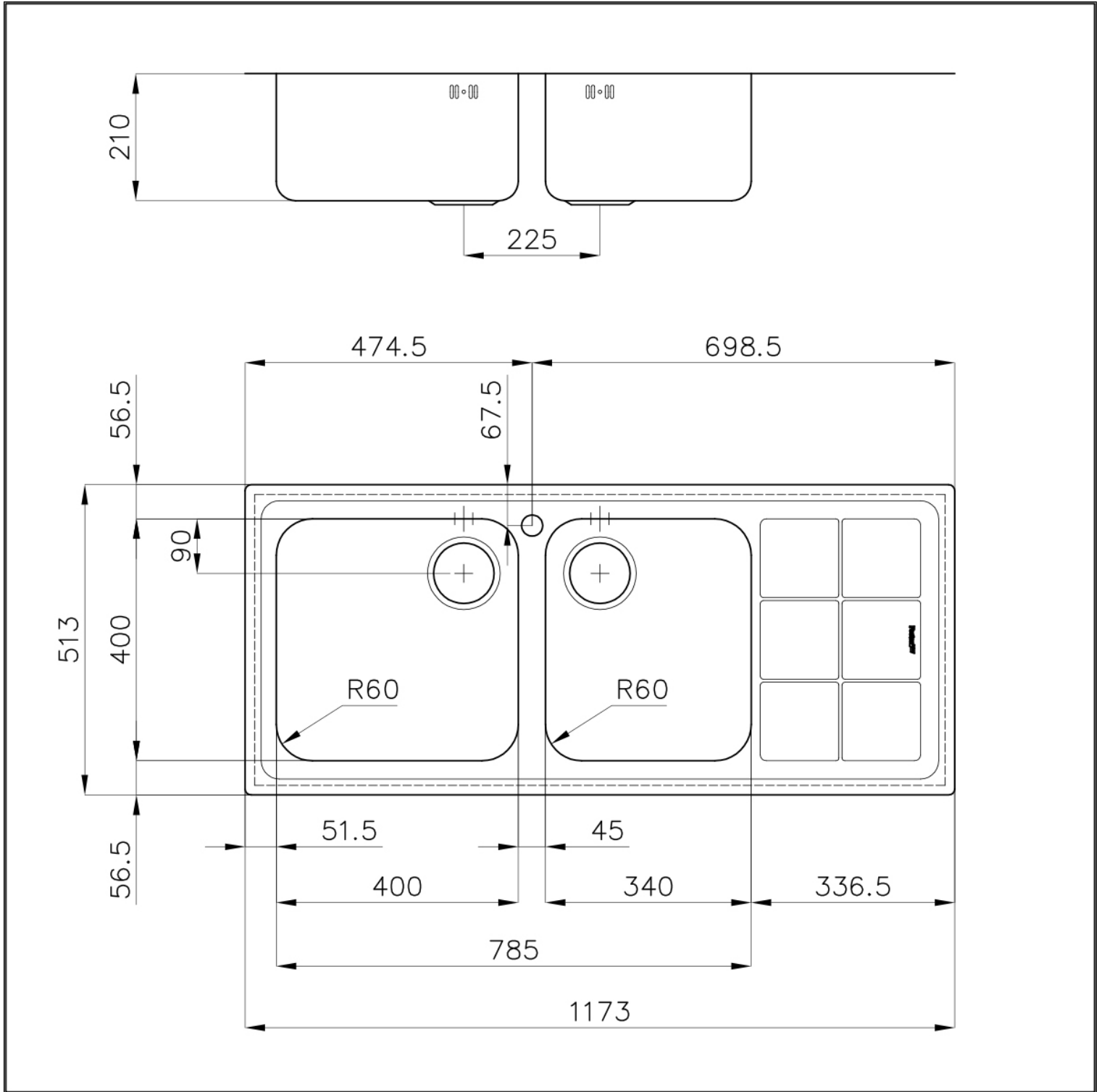
FEATURES

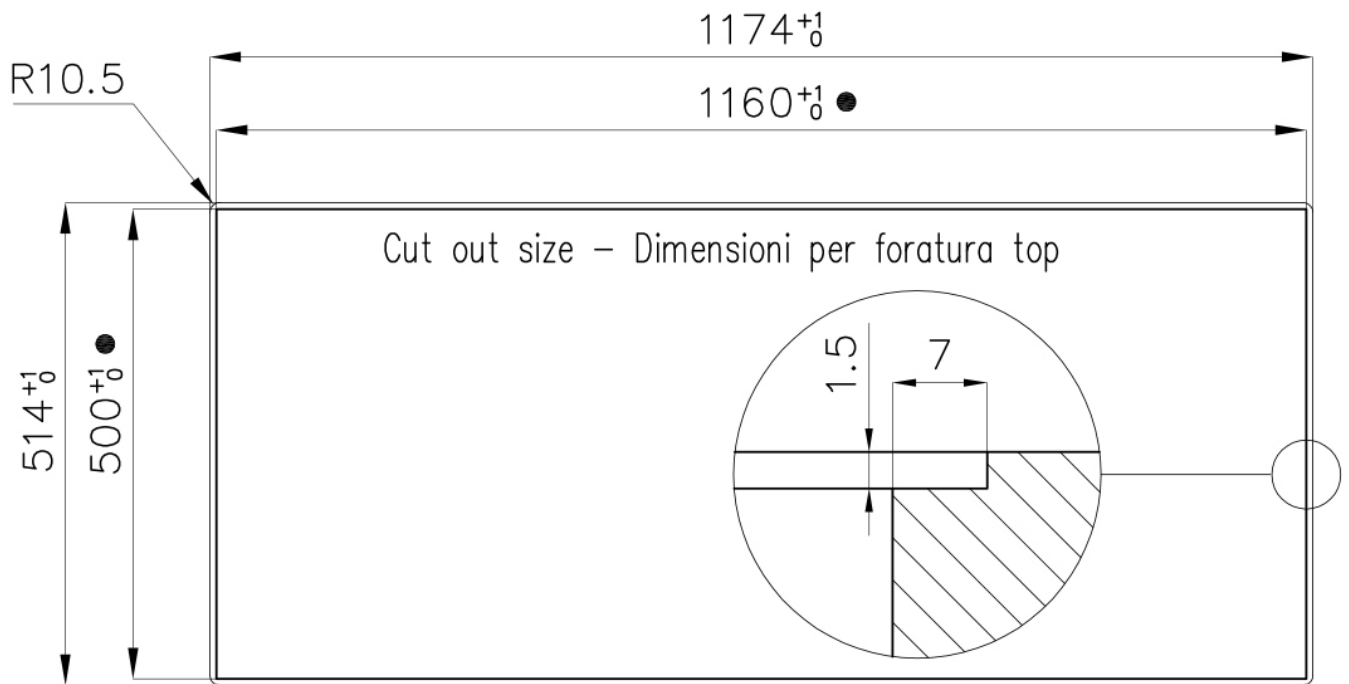
Basket 3,5" waste fitting The drain is equipped with a large 3.5" drain, with the practical basket cap that prevents the discharge of solid parts. The 3.5 "drain allows the use of the Foster waste-disposer, compatible with all models.

Deep bowls This bowls reach an important depth, over 20 cm, thanks to the advanced production technology, that can be offer great capiciency and practicity in all the washing operations.

High thickness 1mm thick steel. A significant thickness, which guarantees the maximum sturdiness and durability.

TECHNICAL DATA





- Built-in cut out for FTS – Foratura per installazione FTS

GALLERY



OPTIONAL ACCESSORIES



Cestello inox 8612 000



Glass chopping board 8631 300



HPDE Chopping board 8657 001



HPDE Twin chopping board 8644 101



Iroko-wood chopping board 8646 000



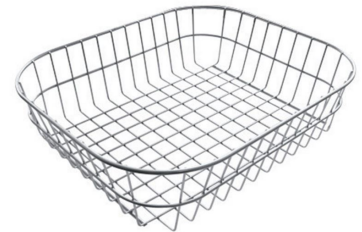
Iroko-wood chopping board 8647 000



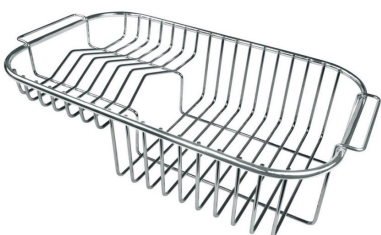
Iroko-wood chopping board with stainless steel colander 8644 042



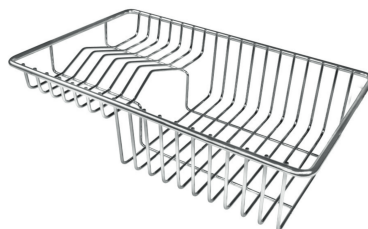
Iroko-wood sliding chopping board 8644 041



Stainless steel basket 8611 000



Stainless steel plate rack 8100 301



Stainless steel plate rack 8100 303



White bowl 8153 100

WARNING:

The accessories 8159101, 8100303,8151000 are only usable in combination with 8644101