

### Features

- Bask® heated surface creates spa-like relaxation with soothing warmth on your back, shoulders, and neck.
- Three heat settings allow you to customize the surface temperature.
- Single-speed whirlpool offers performance and value, with 6 fully adjustable jets.
- Hydromassage flow and direction can be controlled at each jet.
- Oval shape creates a graceful and spacious bathing experience.
- Molded lumbar support and armrests offer extra comfort while bathing.
- Textured bottom surface.
- End drain.

### Material

- Acrylic.

### Hydrotherapy

- Whirlpool.

### Installation

- Undermount.
- Drop-in or undermount.
- Smooth backside for easy handling and mounting of drain and overflow.

### Required Products/Accessories

K-11677 Bath Drain

### Recommended Products/Accessories

K-24916 Wireless Music Kit  
K-738 Under-Mount Install Kit - K-6346/K-6347  
K-23726 Drain treatment  
K-23732 Tub & shower cleaner



### Codes/Standards

ASME A112.19.7/CSA B45.10  
CSA B45.5/IAPMO Z124  
UL 1795




**KOHLER® Plastic Baths and Receptors  
Lifetime Limited Warranty  
KOHLER® Hydrotherapy Components  
Five-Year Limited Warranty**

See website for detailed warranty information.

### Available Colors/Finishes

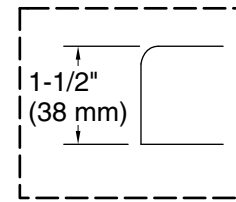
*Color tiles intended for reference only.*

Color	Code	Description
-------	------	-------------

	0	White
	96	Biscuit
	47	Almond

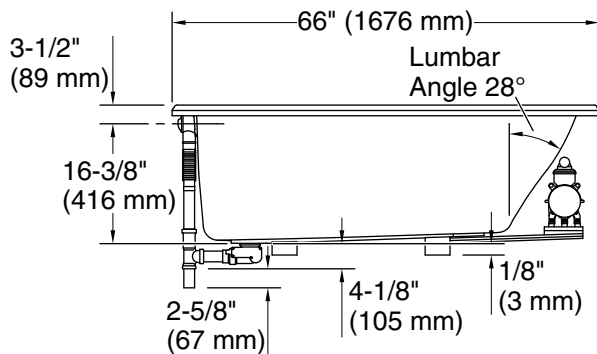
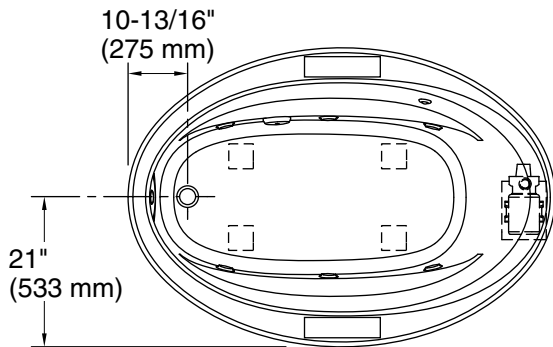
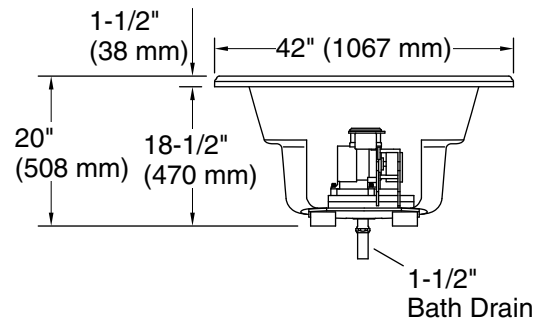
No change in measurements if connected with drain illustrated. (K-37382)

 Recommended Faucet Location



Drop-in Rim Detail

Access Panel  
20" (508 mm) W x 15" (381 mm) H



### Required Electrical Service

Two circuits required, protected with Class A Ground-Fault Circuit-Interrupter (GFCI). Outside North America, this device may be known as a Residual Current Device (RCD).

Pump: 120 V, 15 A, 60 Hz  
Heated Surface: 120 V, 15 A, 60 Hz

### Technical Information

All product dimensions are nominal.

Installation: Drop-in, Under-mount  
Drain location: End  
Basin area, bottom: 48-5/8" x 24-1/2" (1235 mm x 622 mm)  
Basin area, top: 60" x 32-3/16" (1523 mm x 818 mm)  
Minimum floor load: 34 lbs/ft<sup>2</sup> (166 kg/m<sup>2</sup>)  
Water depth: 14-5/16" (364 mm)  
Water capacity: 70 gal (265 L)  
Template: Drop-in, 1233384-7, not required, included  
Electrical component rating: Pump: 120 V, 7.5 A, 60 Hz, 65 W  
Heated Surface: 120 V, 0.5 A, 60 Hz, 65 W  
Pump speed: Single

### Notes

Measure your actual product for rough-in details. Install this product according to the installation instructions.

The hot water supply should be 70% of the capacity of the bath or greater. Installations will vary.

Kit is required for under-mount installations (sold separately).

If installing a rim-mount faucet, make sure there is no interference above or below the deck before drilling any holes.