

33 845 760



- 220mm projection
- pivotable spout 130°
- air-enriched flow
- height of mixer 288 mm
- height up to aerator 187 mm
- hole diameter 35 mm
- 1600mm metal shower hose
- max. flow 10 l/min at 3 bar flow pressure
- lead-free
- This product can help a building meet the requirements of Green Building Rating Systems, e.g. LEED®, BREEAM®, DGNB

Intrinsic protection against back flow.

	Champagne (22kt Gold)	33 845 760-47
	Chrome	33 845 760-00
	Brushed Platinum	33 845 760-06
	Platinum	33 845 760-08
	Dark Chrome	33 845 760-19
	Brushed Durabronze (23kt Gold)	33 845 760-28
	Brushed Champagne (22kt Gold)	33 845 760-46
	Brushed Chrome	33 845 760-93
	Brushed Dark Platinum	33 845 760-99

Recommended miscellaneous

Dispenser without rosette - Champagne (22kt Gold) 82 424 970-47

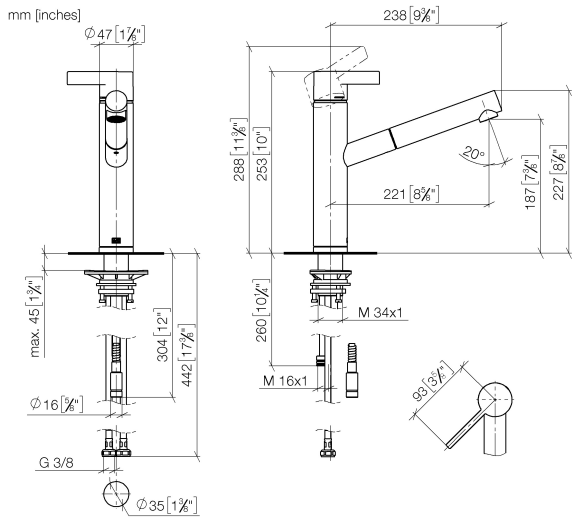


Recommended miscellaneous

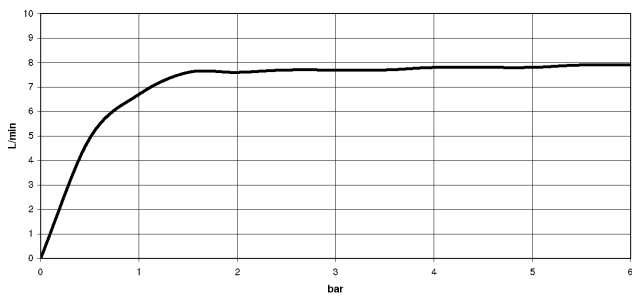
Strainer waste with control handle - Champagne (22kt Gold) 10 712 970-47



33 845 760



Flow rate chart



Codes & Standards

Executive Order
no. 1007



ENO Single-lever mixer Pull-out - Champagne (22kt Gold)

ENO

33 845 760

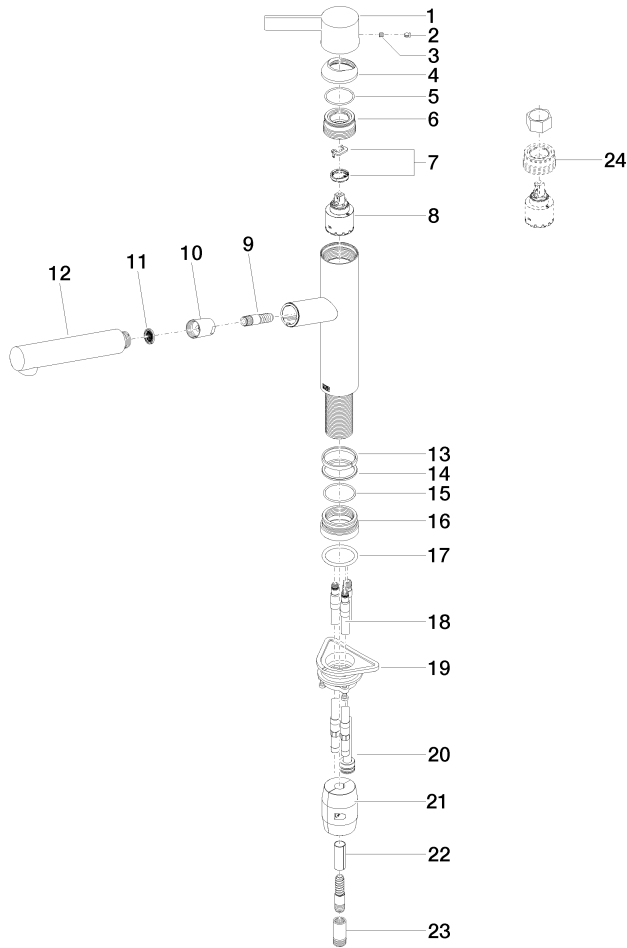
Certificates

GDV_0400

33 845 760

Product version from 1/7/2021 to 5/7/2021

Parts for other finishes can be found here: Chrome





ENO Single-lever mixer Pull-out - Champagne (22kt Gold)

ENO

33 845 760

Spare parts list

Product version from 1/7/2021 to 5/7/2021