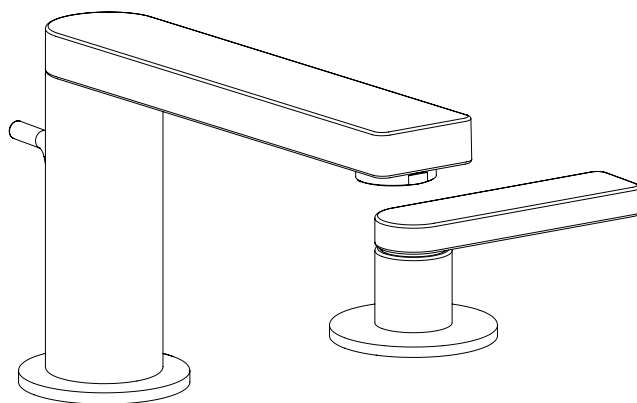
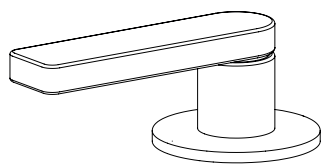
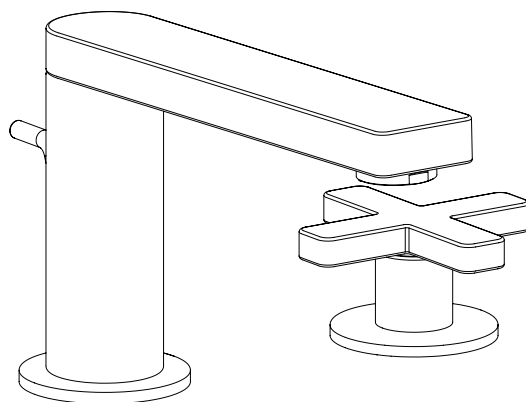
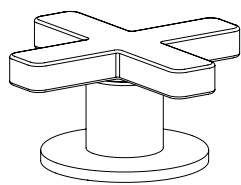
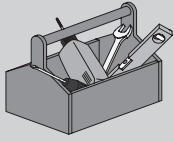


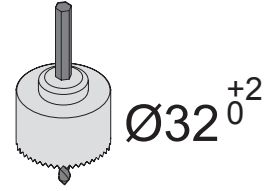
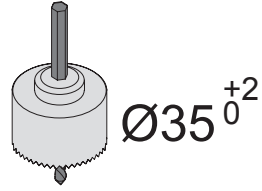
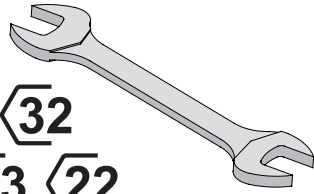
Jacob Delafon



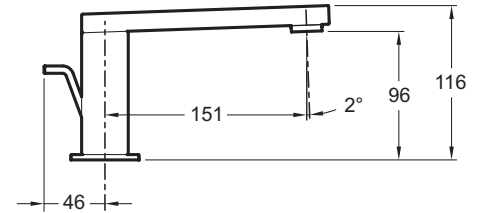
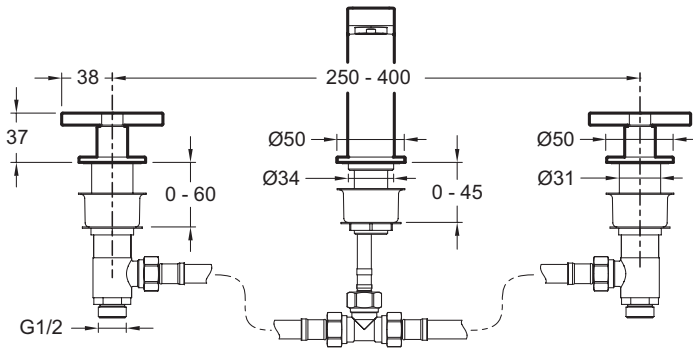
COMPOSED



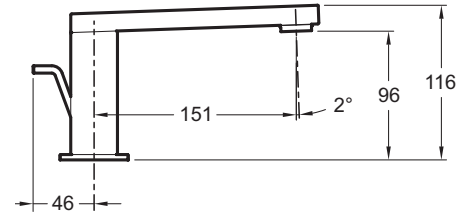
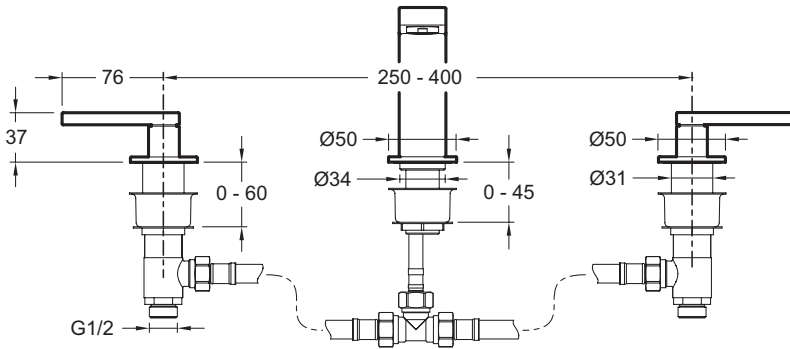
43 32
23 22



	Bar	0.5 < 3 < 6
	°C	55 < 60 < 65

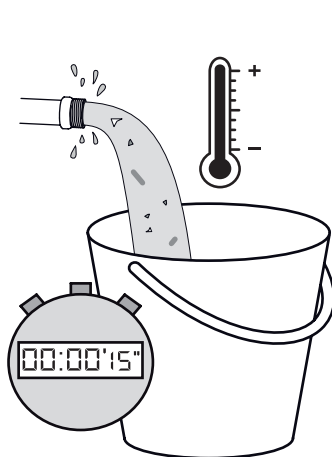


E73060-3-**

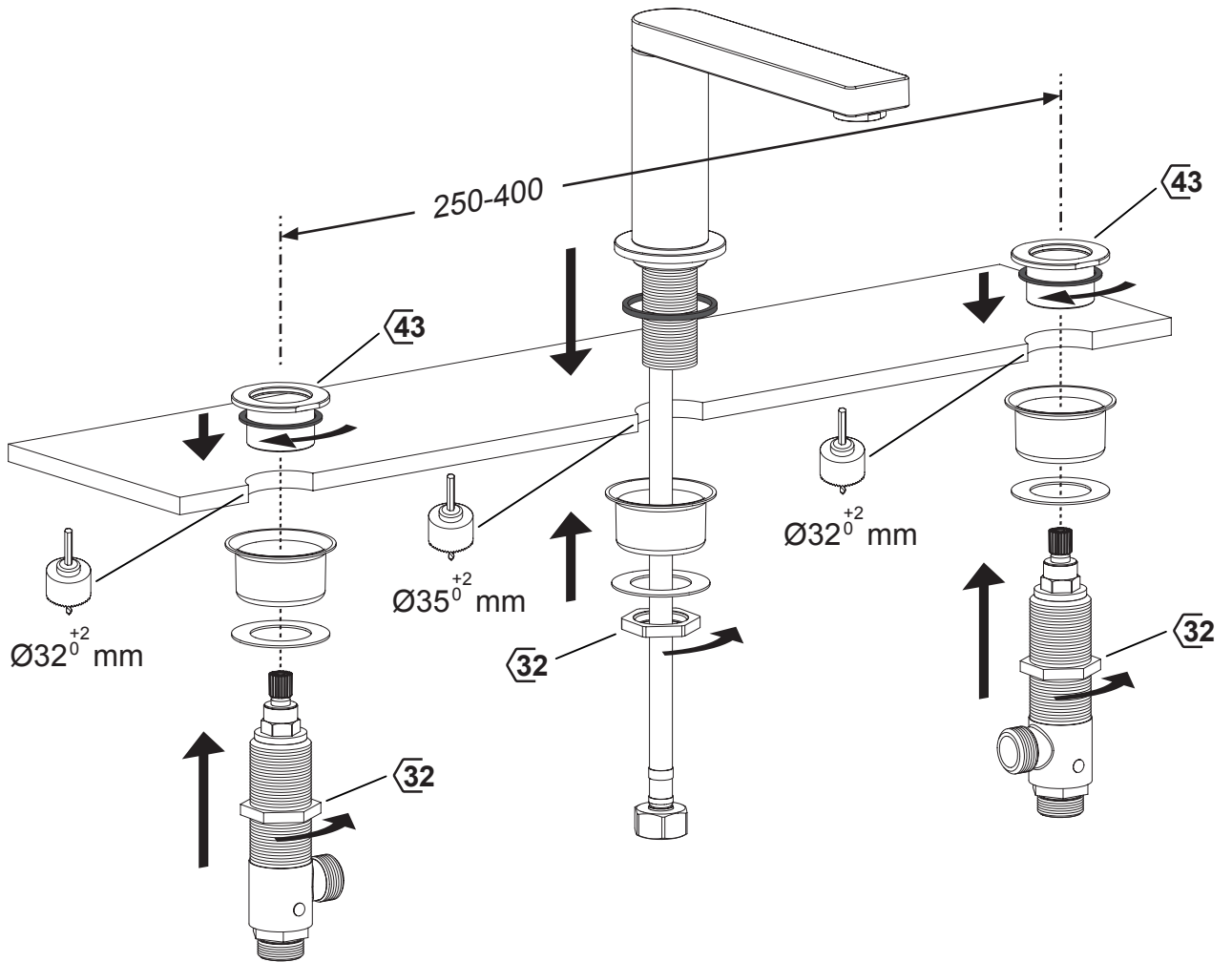


E73060-4-**

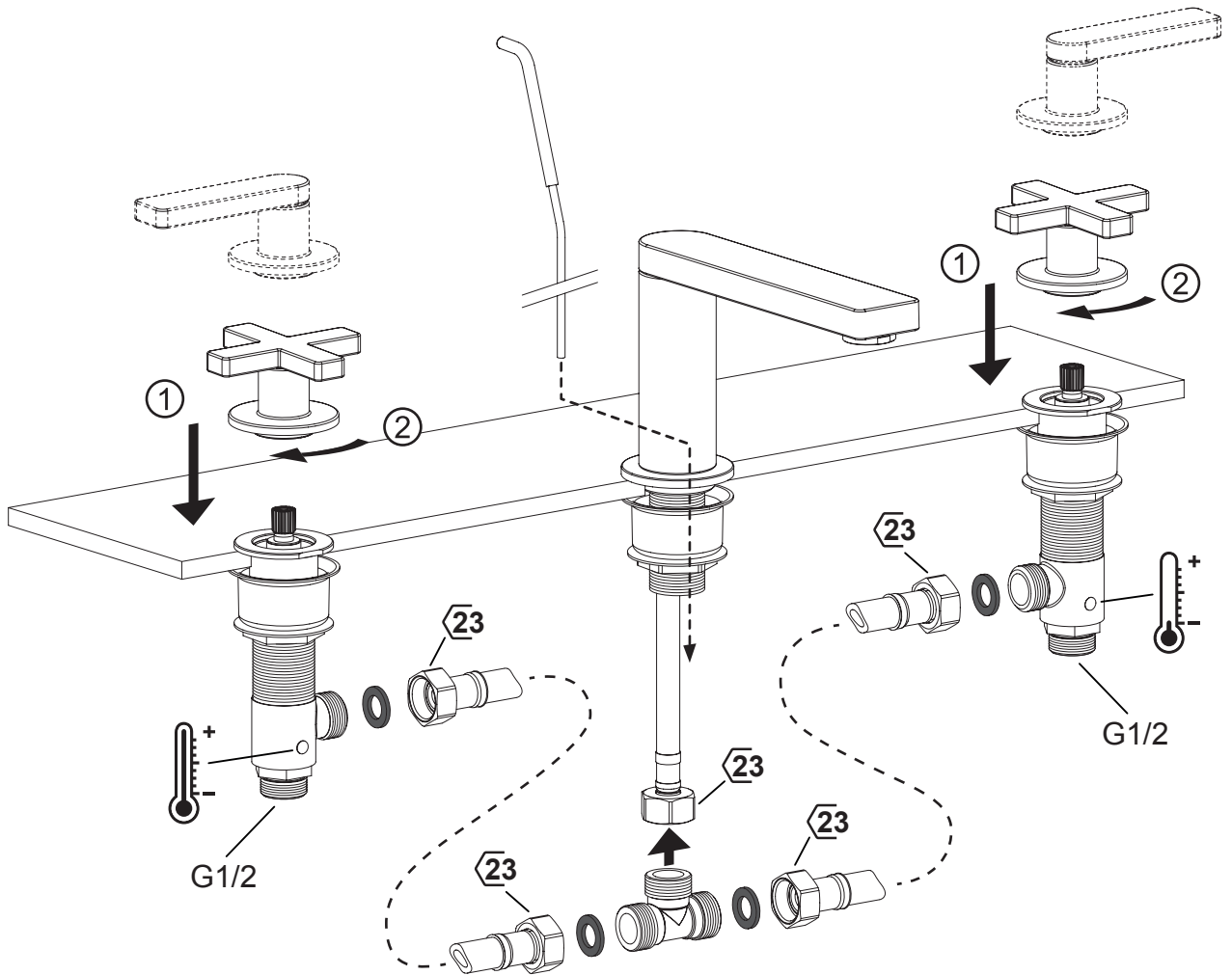
1



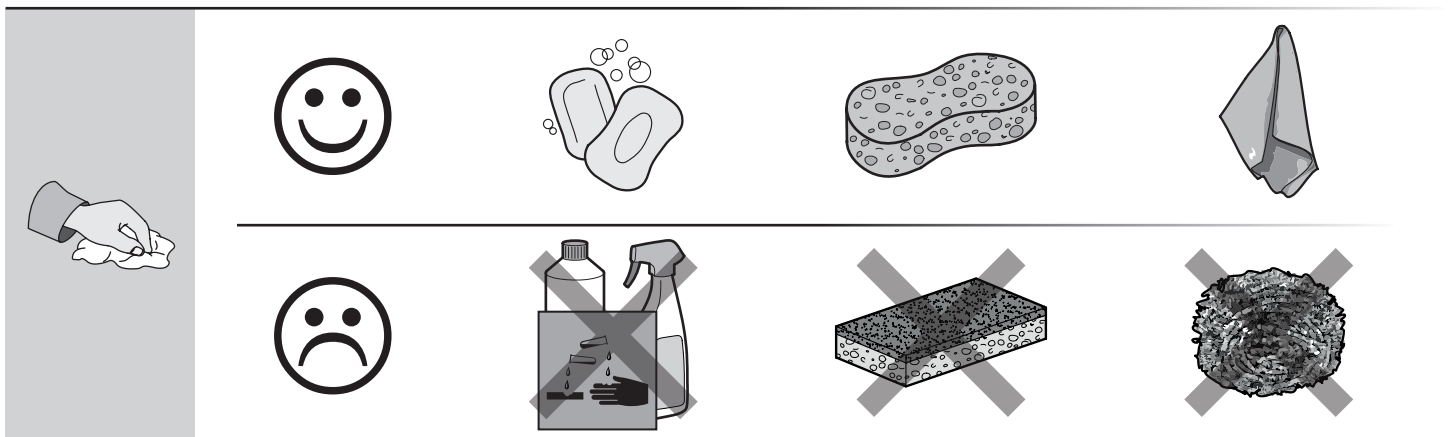
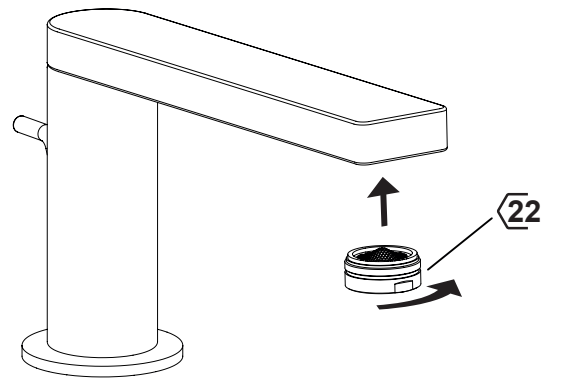
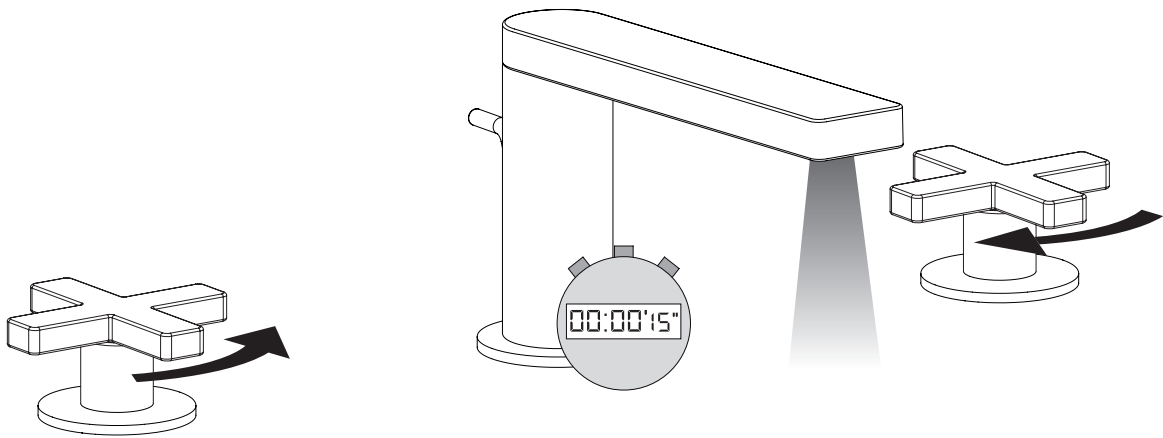
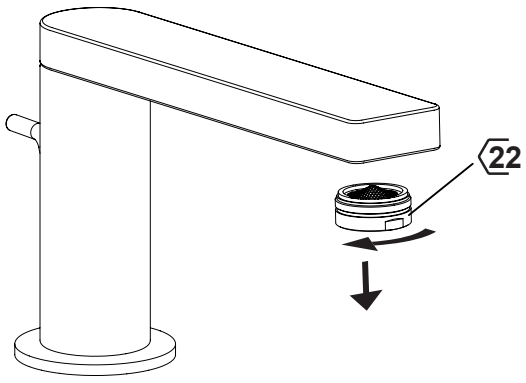
2

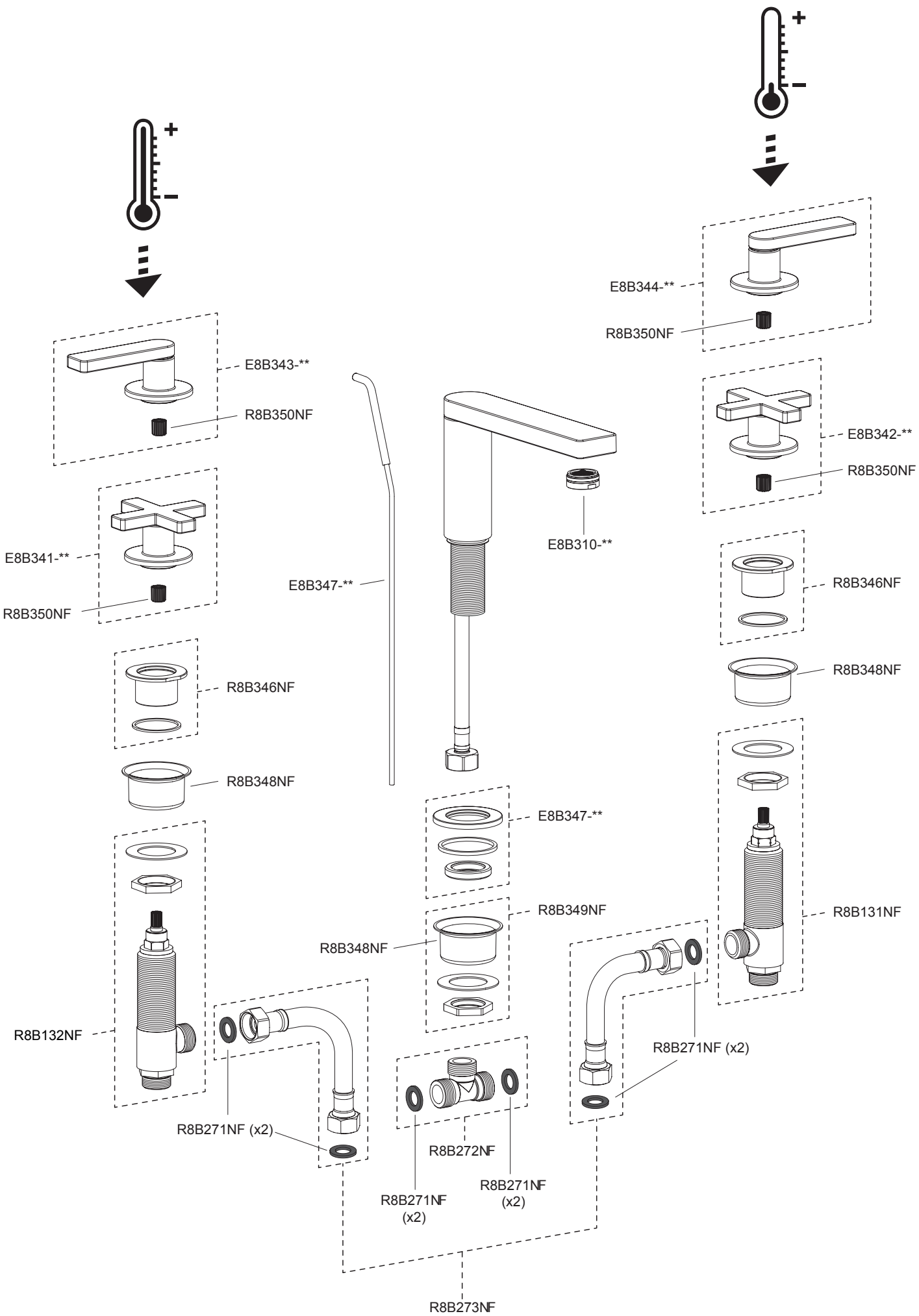


3



4





Jacob Delafon