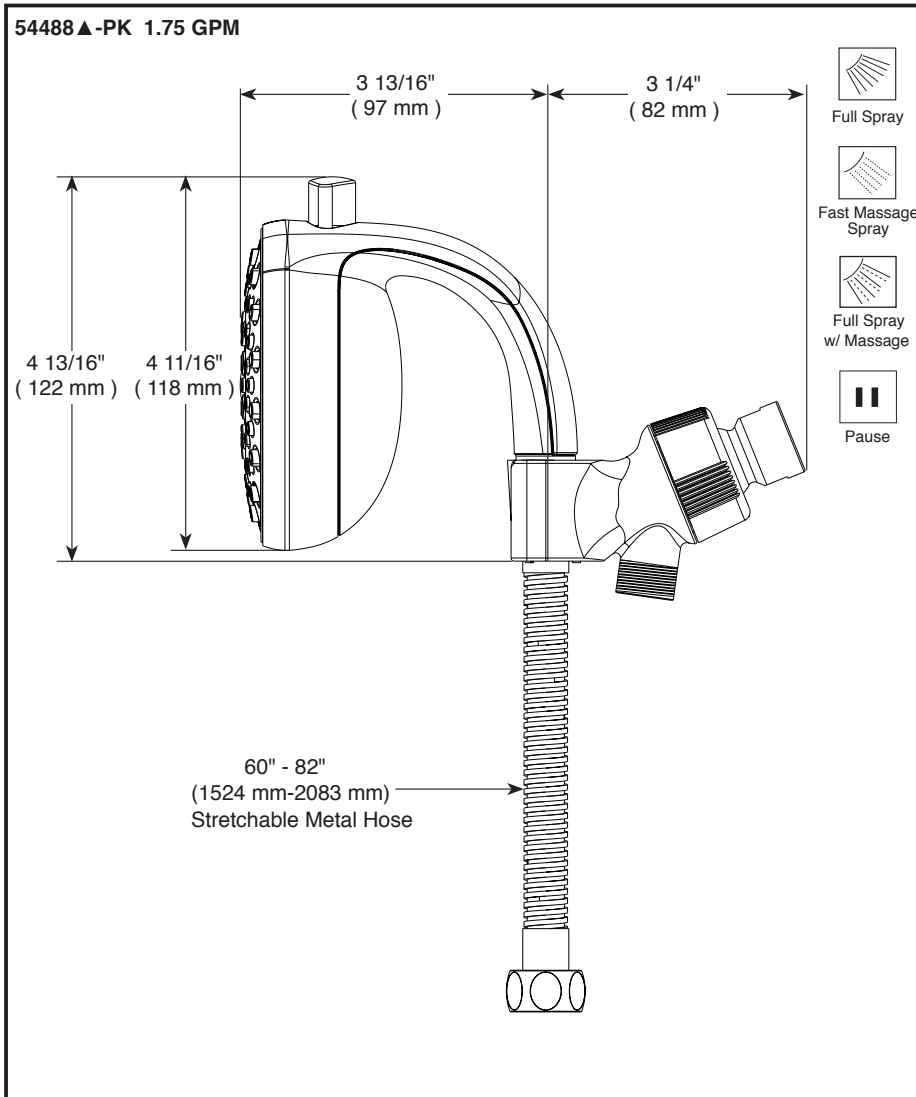


54488▲-PK



Submitted Model No.: \_\_\_\_\_

Specific Features: \_\_\_\_\_



▲ Designate proper finish suffix



see what Delta can do™

# HANDSHOWER

- 4-Spray Settings Palm™ Handshower
- Push Button Selection

## FEATURES:

- Touch-Clean® Nozzles

## STANDARD SPECIFICATIONS:

- Maximum 1.75 gpm @ 80 psi, 6.6 L/min @ 550 kPa
- 60-82" stretchable metal hose
- Change spray modes with push button
- Dual check valves for back flow prevention
- Adjustable shower arm mount for hands-free showering
- Fixed showerhead and palm shower all in one

## WARRANTY

- Lifetime limited warranty on parts (other than electronic parts and batteries) and finishes; or, for commercial users, for 5 years from the date of purchase.
- 5 year limited warranty on electronic parts (other than batteries); or for commercial users, for 1 year from the date of purchase. No warranty is provided on batteries.



## COMPLIES WITH

- ASME A112.18.1 / CSA B125.1
- EPA WaterSense®

Indicates compliance to ICC/ANSI A117.1

Delta reserves the right (1) to make changes in specifications and materials, and (2) to change or discontinue models, both without notice or obligation. Dimensions are for reference only. See current full-line price book or [www.deltafaucet.com](http://www.deltafaucet.com) for finish options and product availability.

## Delta Faucet Company

55 E. 111th Street, Indianapolis, IN 46280  
 350 South Edgevare Road, St. Thomas, ON N5P 4L1  
 © 2017 Delta Faucet Company