

#### Features

- Handshower features contemporary design.
- Advanced spray engine provides three spray functions: wide coverage, intense drenching, and targeted spray.
- Wide coverage spray produces an encompassing spray for everyday use.
- Intense drenching spray delivers a forceful spray ideal for rinsing soap from hair.
- Targeted spray is a focused stream for targeting sore muscles or use as a utility spray.
- Thumb tab allows for a smooth transition between sprays.
- Spray nozzles cover full area of sprayhead.
- Combination of balance, weight, grip, and angle makes this handshower comfortable and easy to use.
- MasterClean™ sprayface is easy-to-clean.
- 2.0 gpm (7.6 l/min) maximum flow rate.
- 24-inch slidebar features adjustable mounting brackets for installation flexibility.
- Includes 60-inch ribbon hose.

#### Material

- KOHLER finishes resist corrosion and tarnishing.
- KOHLER finishes resist corrosion and tarnishing.

#### Water Conservation & Rebates

- This product can help a building earn Water Efficiency points in LEED® Green Building Rating System.

#### Recommended Products/Accessories

K-30646 shower filter  
K-30647 shower filter replacement  
K-23723 Faucet cleaner



OBC

#### Codes/Standards



ASME A112.18.1/CSA B125.1  
EPA WaterSense®  
OBC

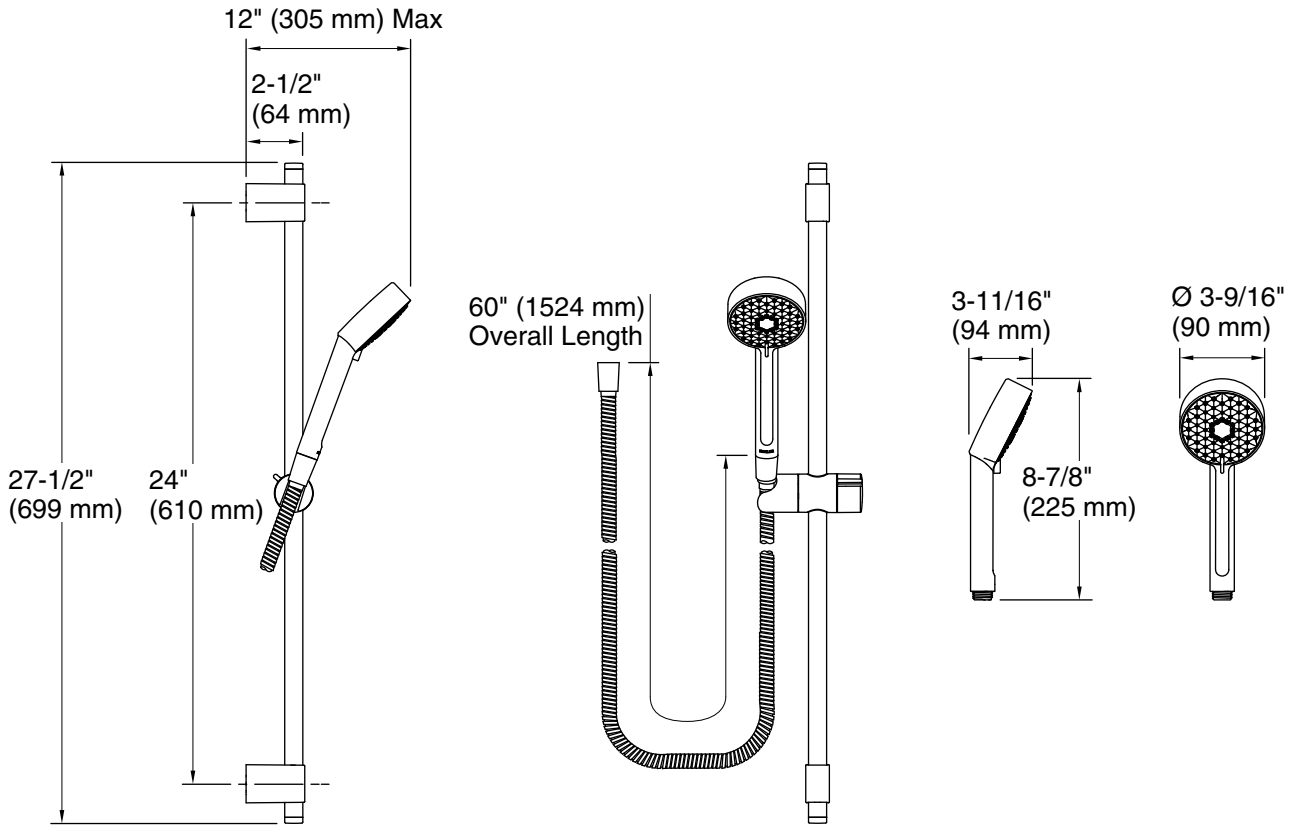
#### KOHLER® Faucet Lifetime Limited Warranty

See website for detailed warranty information.

#### Available Colors/Finishes

*Color tiles intended for reference only.*

Color	Code	Description
	CP	Polished Chrome
	BN	Vibrant® Brushed Nickel



**Technical Information**

All product dimensions are nominal.

**Handshower:**

Rated maximum flow: 2 gal/min (7.6 l/min)

**Notes**

Install this product according to the installation guide.

Mount the slidebar to stud framing or install backing support. For tile or other solid finish surfaces: Pre-drill mounting holes through surface material only; do not drill into the stud. For drywall surface: No pre-drill is required.

NOTE: The mounting brackets can be adjusted to align with existing holes for retrofit installations.

OBC compliant when installed to the specific requirements of these regulations.