

Features

- 120 airjets release thousands of heated bubbles that surround and support the body in a warm massage.
- Variable-speed blower lets you adjust massage intensity to 18 levels.
- Bask® heated surface creates spa-like relaxation with soothing warmth on your back, shoulders, and neck.
- Built-in heater.
- Automatic and manual purge cycles remove residual water from air channels after use.
- 60-minute automatic shutoff timer.
- Oval-shaped basin offers a graceful and spacious bathing experience.
- Generous 66" length provides spacious bathing for up to two people.
- Molded lumbar support and armrests offer extra comfort while bathing.
- Keypad control.
- Textured bottom surface.
- Bask® heated surface creates spa-like relaxation with soothing warmth on your back, shoulders, and neck.

Material

- Acrylic.

Technology

- Heated BubbleMassage™ technology warms and humidifies air before it enters the bath.

Installation

- Drop-in.
- Reversible drain.

Required Products/Accessories

K-11677 Bath Drain

Recommended Products/Accessories

K-24916 Wireless Music Kit

K-738 Under-Mount Install Kit - K-6346/K-6347

Included Components

Additional Components:

40" (1016 mm) cable



Codes/Standards

ASME A112.19.7/CSA B45.10

CSA B45.5/IAPMO Z124

ASTM E162

ASTM E662

UL 1795

CSA C22.2 No. 218.2



**KOHLER® Hydrotherapy Components
Five-Year Limited Warranty
KOHLER® Plastic Baths and Receptors
Lifetime Limited Warranty**

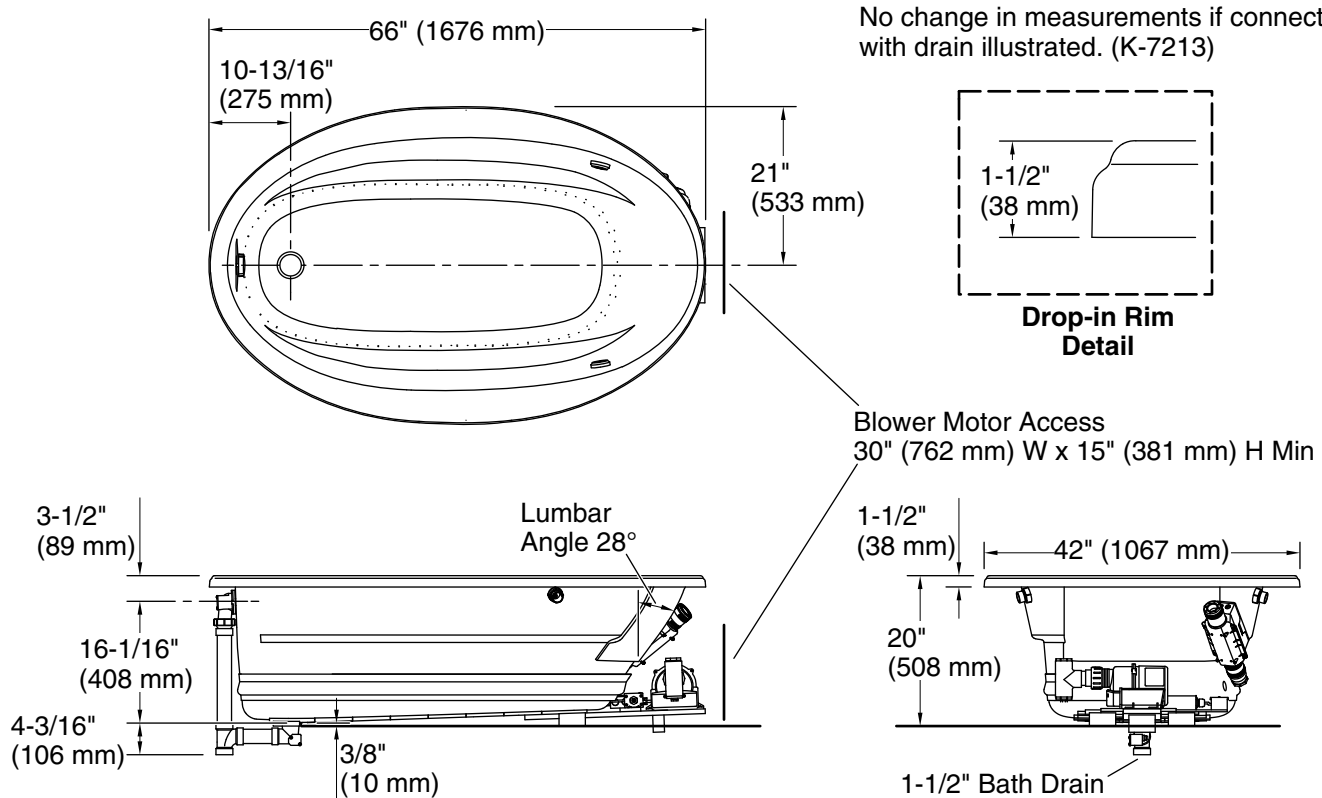
See website for detailed warranty information.

Available Colors/Finishes

Color tiles intended for reference only.

Color	Code	Description
-------	------	-------------

	0	White
	96	Biscuit



Required Electrical Service

Two dedicated circuits required, protected with Class A Ground-Fault Circuit-Interrupter (GFCI). Outside North America, this device may be known as a Residual Current Device (RCD).

Blower, Heated	120 V, 15 A, 60 Hz
Surface:	
Air bath:	120 V, 15 A, 60 Hz

Technical Information

All product dimensions are nominal.

Installation:	Drop-in
Drain location:	End
Basin area, bottom:	48-5/8" x 24-1/2" (1235 mm x 622 mm)
Basin area, top:	60" x 32-3/16" (1523 mm x 818 mm)
Weight:	122 lbs (55.3 kg)
Minimum floor load:	34 lbs/ft ² (166 kg/m ²)
Water depth:	14-5/16" (364 mm)
Water capacity:	70 gal (265 L)
Template:	Drop-in, 1233384-7, not required, included
Electrical component rating:	Blower: 120 V, 10 A, 60 Hz Heated Surface: 120 V, 0.5 A, 60 Hz, 65

Notes

Measure your actual product for rough-in details. Install this product according to the installation instructions.

The hot water supply should be 70% of the capacity of the bath or greater. Installations will vary.