

Cooker hob - Modular Induction Plate 7362 300

Cooker hobs

Code: 7362 300



DETAILS

Coloring	Black
Material	Ceramic glass
Supply	Single-phase: 230 V; 1P + N; Two-phase 400 V; 2P + N; 50.60 Hz
Edge/Installation Type	Flush-mount Top-mount
Dimensions	Ø 300 mm
Full description	Induction plate ø 300 mm - black - for Modular Induction system
Heating element	single zone
Total power	2.300 (3.000)* W
Power settings	9 power settings per zone + Powerboost

Safety Safety equipment

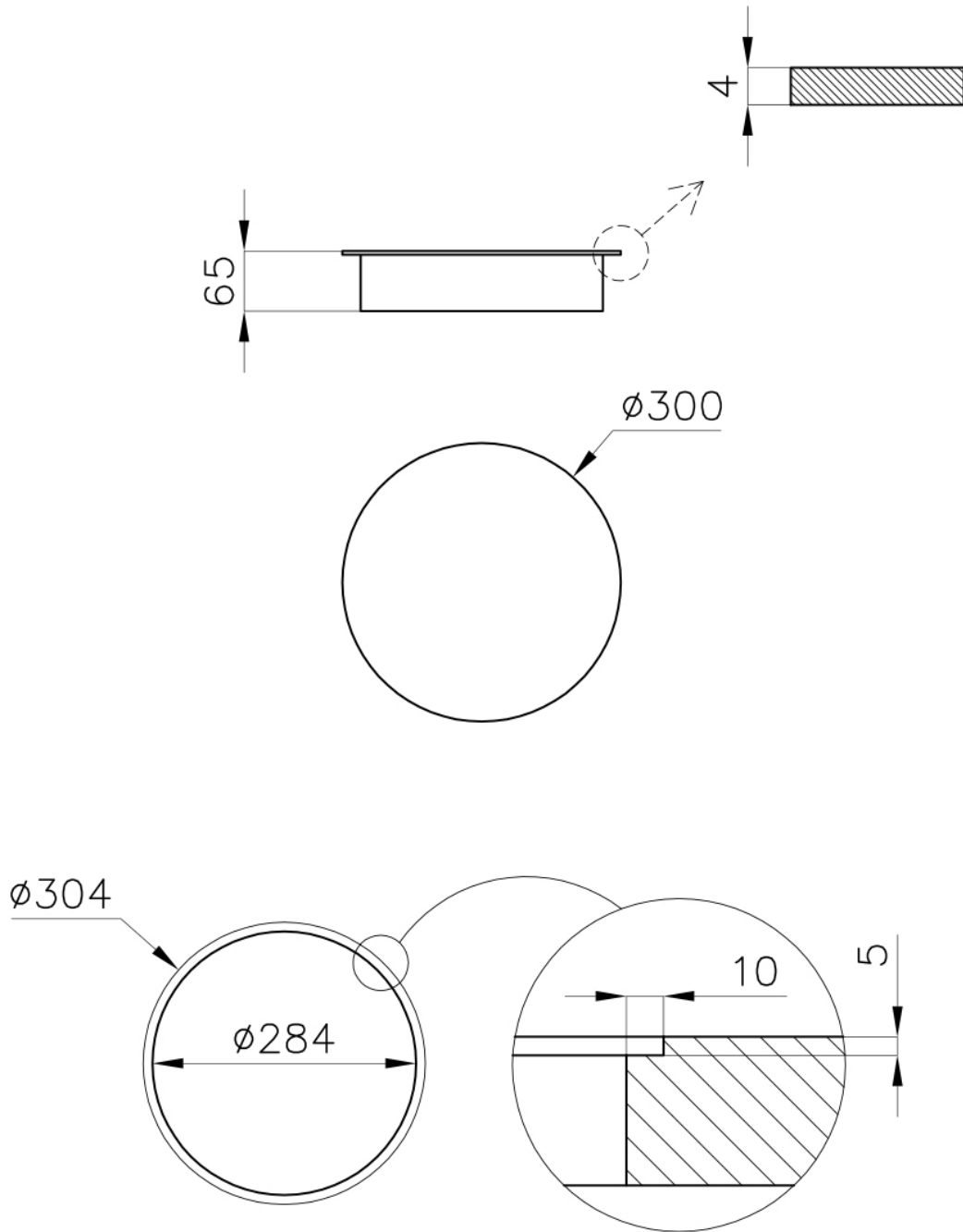
Type Induction Hob

Type of commands Touch Control

Built-in hole [View technical data sheet \(for all Flush-mount / Top-mount models and Under-mount models\)](#)

Notes: * Powerboost

TECHNICAL DATA



OPTIONAL ACCESSORIES



Induction Pro - Cookware set -
8pcs 8210 008

RECOMMENDED PAIRINGS



Cooker hob Touch Control
Modular Induction 7368 020



Cooker hob Touch Control
Modular Induction 7368 030



Cooker hob Touch Control
Modular Induction 7368 040



Modular Induction 7369 020 -
Connection Box



Modular Induction 7369 030 -
Connection Box



Modular Induction 7369 040 -
Connection Box