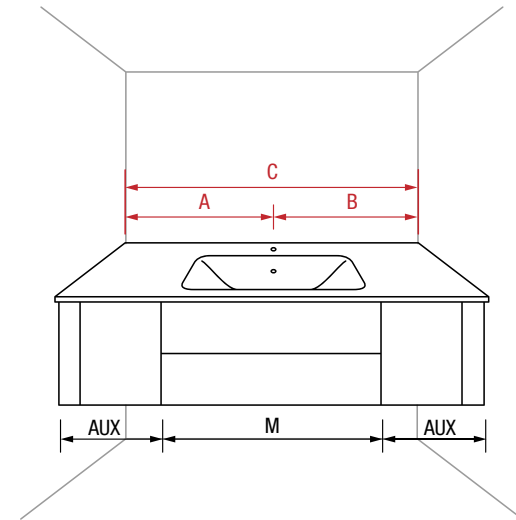


ORDER YOUR BESPOKE BASIN - What information do you need to know?

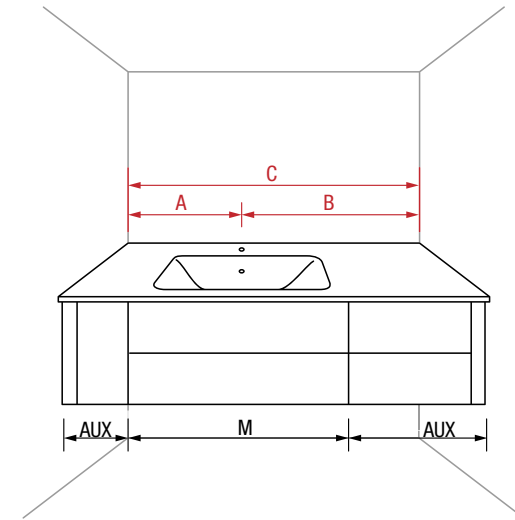
WASHBASIN WITH AUXILIARY ON BOTH SIDES

Centered



C = Measure of available space (total measurement of countertop from 605mm to 2005mm)
A = Distance from drain to left wall (from 303mm to 1202mm)
B = Distance from drain to right wall (from 303mm to 1202mm)

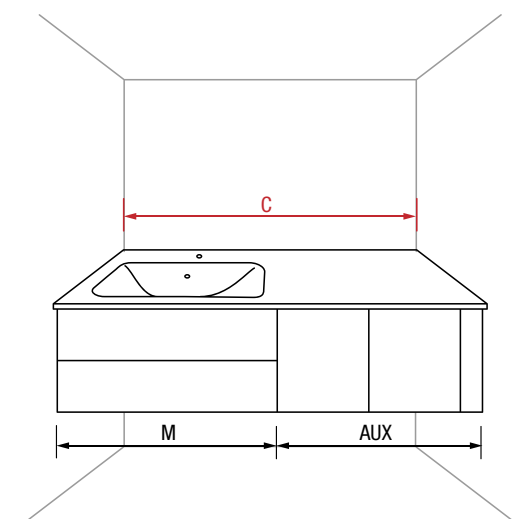
Off center



M = Vanity unit length (600/700/800/900/1000/1200)
AUX = Modules and strips

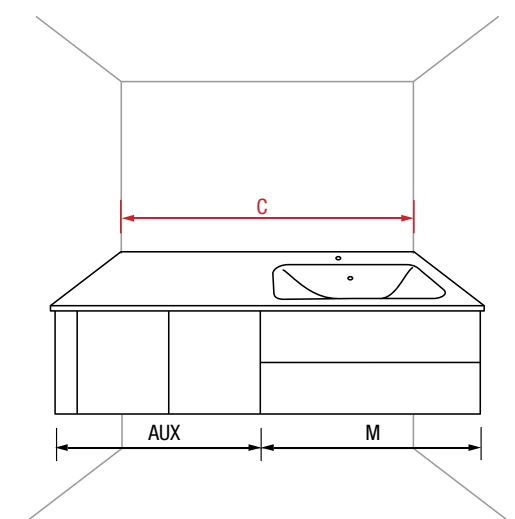
WASHBASIN FOR AUXILIARY ON ONE SIDE

RIGHT



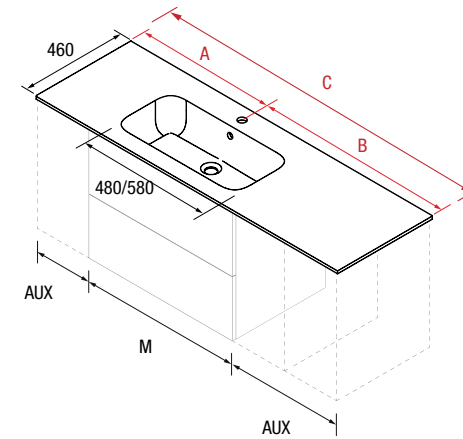
C = Measure of available space (total measure of countertop. From 605mm to 1605mm)

LEFT



M = vanity unit length (600/700/800)
AUX = modules and strips

BESPOKE BASIN SOFIA



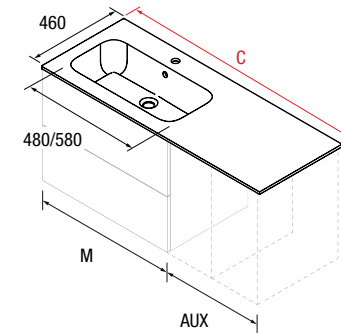
AUXILIARY UNITS ON BOTH SIDES

Vanity unit length (M)	C	cod.
600/700/800/900/1000 (Sink 480)	605 - 1105	24402
700/800/900/1000/1200 (Sink 580)	705 - 2005	24403

Download order sheet



Note: tops with special length, 15 working days.



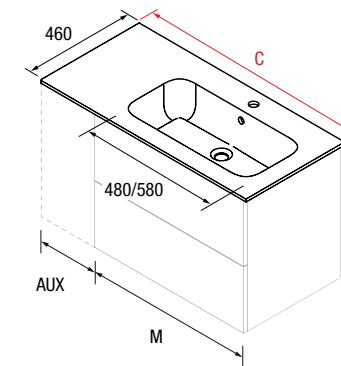
AUXILIARY UNITS ON THE RIGHT

Vanity unit length (M)	C	cod.
600 (Sink 480)	605 - 855	24390
	605 - 1005	24391
	605 - 1405	24394
700 (Sink 580)	705 - 1405	25505
	805 - 1055	24392
800 (Sink 580)	805 - 1205	24393
	805 - 1605	24395

Download order sheet



Note: tops with special length, 15 working days.



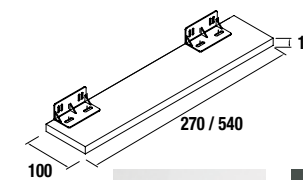
AUXILIARY UNITS ON THE RIGHT

Vanity unit length (M)	C	cod.
600 (Sink 480)	605 - 855	24396
	605 - 1005	24397
	605 - 1405	24400
700 (Sink 580)	705 - 1405	25506
	805 - 1055	24398
800 (Sink 580)	805 - 1205	24399
	805 - 1605	24401

Download order sheet



Note: tops with special length, 15 working days.

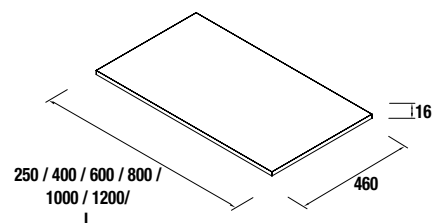


WOOD STRIPS

	Gloss White	Gloss Grey	Gloss taupe	Bay Pine	Natural	Sbiancato	Alsacia
	cod.	cod.	cod.	cod.	cod.	cod.	cod.
270	24305	24306	24307	24310	24308	24309	24311
540	24312	24313	24314	24317	24315	24316	24318

TOP THICKNESS 16, 40 AND 50 MM

TOPS 250 TO 1200 AND CUSTOM-MADE

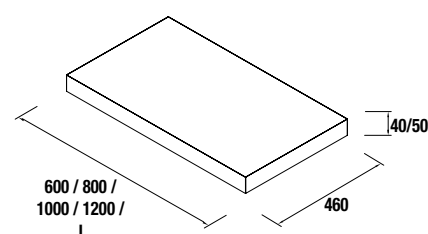


TOP THICKNESS 16 MM

Tops 16mm thick. Sizes from 250 to 1200 not mechanized. Finishes in melamine and high pressure laminate (HPL).

	Gloss white		Gloss grey		Gloss Taupe		Natural		Bay pine		Sbiancato		Alsacia																														
	cod.		cod.		cod.		cod.		cod.		cod.		cod.																														
	Stock	250	23118	23119	26966	23121	23120	23461	23462	23122	23123	26967	23125	23124	23463	23464	22960	22961	26968	22963	22962	23465	23466	22964	22965	26969	22967	22966	23467	23468	22968	22969	26970	22971	22970	23469	23470	22972	22973	26971	22975	22974	23471
Special order	<1000	22976	22977	26972	22979	22978	23475	23476	1001 - 1400	22980	22981	26973	22983	22982	23477	23478	1401 - 1800	22984	22985	26974	22987	22986	23479	23480	1801 - 2000	22988	22989	26975	22991	22990	23481	23482	2001 - 2400	23126	23127	26976	23129	23128	23483	23484			

Note: tops with special length, 15 working days.



TOP THICKNESS 40 AND 50 MM

Tops with 50mm thickness finishes in Gloss White, gloss grey and carbon; y 40mm finish African oak, sizes from 600 to 1200 and custom made not mechanized. Finishes in melamine and high pressure laminate (HPL).

	Gloss White / 50mm		Gloss Grey / 50mm		Carbon / 50mm		African Oak / 40mm																		
	cod.		cod.		cod.		cod.																		
	Stock	600	22992	22993	22994	23016	22995	22996	22997	23017	22998	22999	23000	23018	23001	23002	23003	23019							
Special order	<1000	23004	23005	23006	23020	1001 - 1400	23007	23008	23009	23021	1401 - 1800	23010	23011	23012	23022	1801 - 2000	23013	23014	23015	23023	2001 - 2400	23138	23139	23140	23141

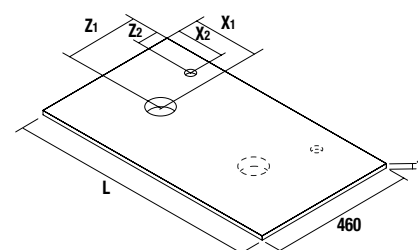
Note: tops with special length, 15 working days.

TOP THICKNESS 16, 40 AND 50 MM

CUSTOM MADE TOPS IN LENGTH AND MECHANIZED



IMPORTANT: all measures in mm must be included
The company will not be held responsible for the wrong measures received on the custom and mechanized tops; no returns for this cause will be accepted.

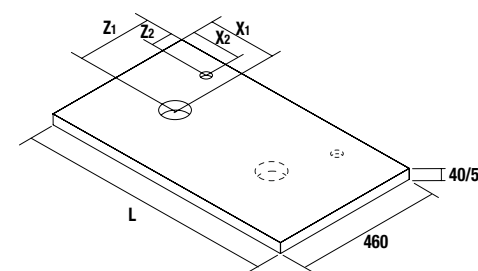


TOP THICKNESS 16 MM

16mm thick tops. special measures with machining. single or double sink. Melamine finishes and high pressure laminates (HPL).

	Gloss white		Gloss grey		Gloss Taupe		Natural		Bay pine		Sbiancato		Alsacia																											
	cod.		cod.		cod.		cod.		cod.		cod.		cod.																											
	Special order	<1000	23145	23146	26977	23148	23147	23485	23486	1001-1400	23149	23150	26978	23152	23151	23487	23488	1401-1800	23153	23154	26979	23156	23155	23489	23490	1801-2000	23157	23158	26980	23160	23159	23491	23492	2001-2400	23161	23162	26981	23164	23163	23493

Note: tops with special length, 15 working days.



TOPS 40 AND 50 MM THICKNESS

40mm and 50mm thick tops. special measures with machining. single or double sink. Melamine finishes and high pressure laminates (HPL).

	Gloss White / 50mm		Gloss Grey / 50mm		Carbon / 50mm		African Oak / 40mm																		
	cod.		cod.		298		cod.																		
	Special order	<1000	23165	23166	23167	23168	1001 - 1400	23169	23170	23171	23172	1401 - 1800	23173	23174	23175	23176	1801 - 2000	23177	23178	23179	23180	2001 - 2400	23181	23182	23183

Note: tops with special length, 15 working days.

Download order sheet





MACHINED AND BESPOKE LENGTH COUNTER TOPS AND ACCESSORIES

Solid Surface

You can add bespoke towel rails of up to 80 cm to your designs, and these can also be used in the shower area.

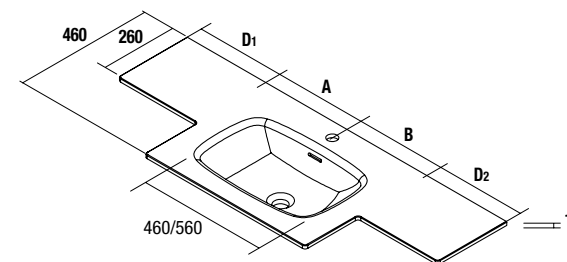


SOLID SURFACE COUNTER TOPS AND ACCESSORIES
MACHINED AND BESPOKE LENGTH COUNTER TOPS AND ACCESSORIES

IMPORTANT: all measures in mm must be included
The company will not be held responsible for the wrong measures received on the custom and mechanized tops; no returns for this cause will be accepted.

SOLID SURFACE WASHBASIN WITH DOUBLE DEPTH 12 MM THICKNESS

Solid surface washbasins with double depth, 12 mm thick. special measures. washbasins to combine with modules
Alliance for reduced depth.



Special order	Vanity unit length (M) 600/700 Sink 460	Matt White	
		cod.	
	900 - 1200	87983	
	1201 - 1500	87984	
	1501 - 1800	87985	
	1801 - 2000	87986	

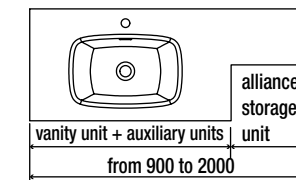
Special order	Vanity unit length (M) 800/900/1000/1200 Sink 560	Matt White	
		cod.	
	1100 - 1500	87987	
	1501 - 1800	87988	
	1801 - 2000	87989	

Note: tops with special length, 15 working days.

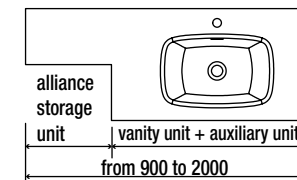
Download order sheet



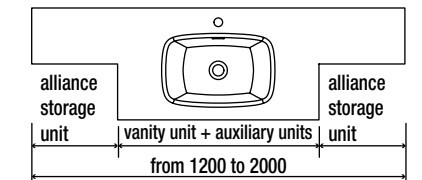
Auxiliary unit on the right



Auxiliary unit on the left



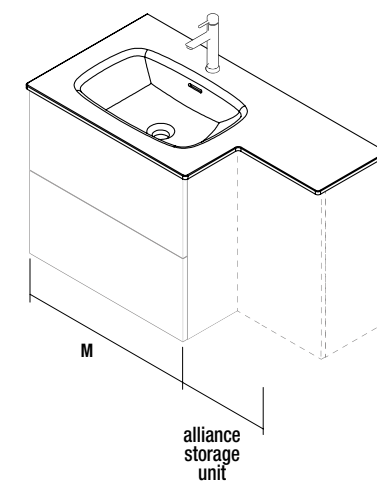
Auxiliary unit on both sides



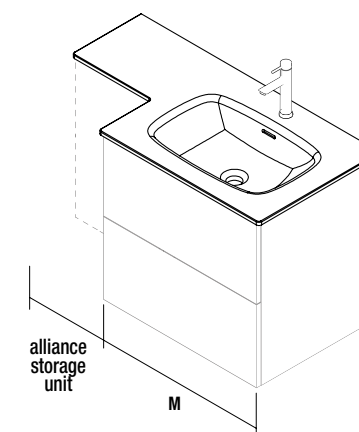
ENDLESS POSSIBILITIES

multiple combinations of vanity units and auxiliary units can be made with the new alliance double depth. Here is an example.

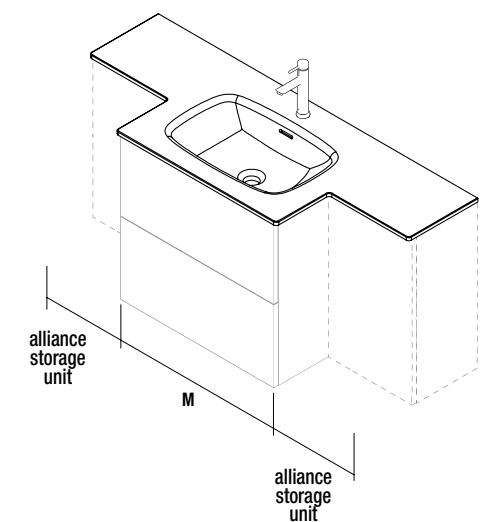
storage unit on the right



storage unit on the left



storage unit on both sides



Solid Surface

With the solid shelves of up to 80 cm you can keep everything to hand, even in the shower.



SOLID SURFACE COUNTER TOPS AND ACCESSORIES

MACHINED AND BESPOKE LENGTH
COUNTER TOPS AND ACCESSORIES

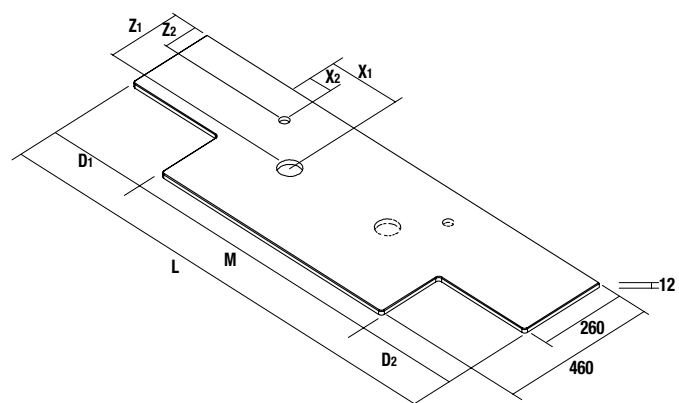


IMPORTANT: all measures in mm must be included

The company will not be held responsible for the wrong measures received on the custom and mechanized tops;
no returns for this cause will be accepted.

DOUBLE DEPTH WORKTOPS 12MM THICKNESS

Solid surface worktops with double depth, 12mm thick. special measures with or without machining. single or double sink. worktops to combine with Alliance storage units with reduced depth.



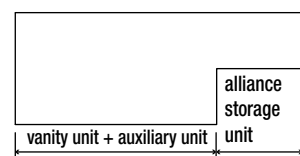
Special order		Matt White	
		cod.	
900 - 1200		87978	
1201 - 1500		87979	
1501 - 1800		87980	
1801 - 2000		87981	
2001 - 2400		87982	

Note: tops with special length, 15 working days.

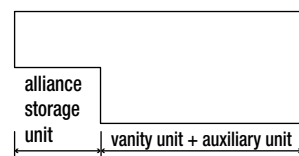
Download order sheet



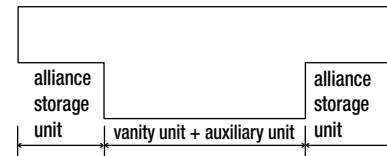
storage units on the right



storage units on the left



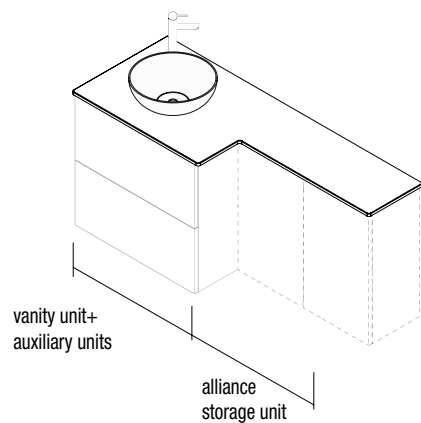
storage units on both sides



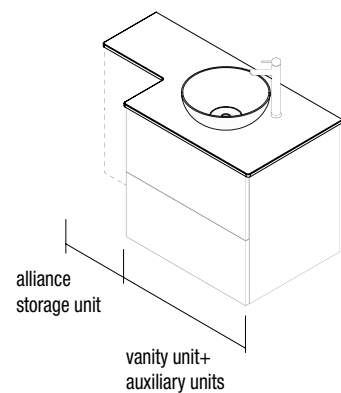
ENDLESS POSSIBILITIES

multiple combinations of vanity units and auxiliary units can be made with the new alliance double depth. Here is an example.

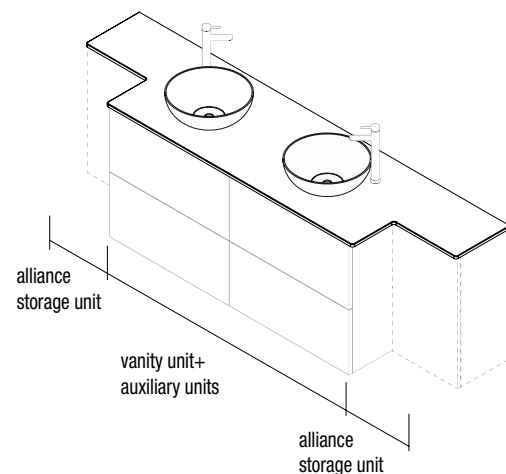
storage units on the right



storage units on the left



storage units on both sides

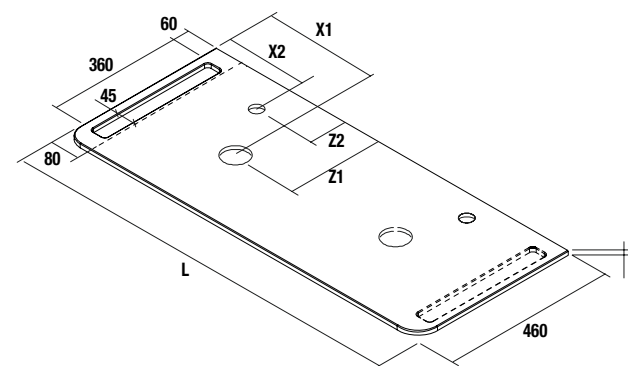


SOLID SURFACE COUNTER TOPS AND ACCESSORIES

MACHINED AND BESPOKE LENGTH
COUNTER TOPS AND ACCESSORIES

COUNTER TOPS WITH TOWEL HOLDER WITH A THICKNESS OF 12 MM

Solid surface counter tops with towel holder with a thickness of 12 mm. In special sizes with or without machining. YOU NEED TO STATE WHICH SIDE YOU WANT THE TOWEL HOLDER ON



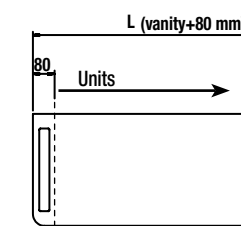
Special order		Matt White	
		cod.	
<1000		24465	
1001 - 1400		24466	
1401 - 1800		24467	
1801 - 2000		24468	
2001 - 2400		24469	

Note: tops with special length, 15 working days.

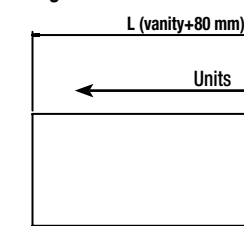
Download order sheet



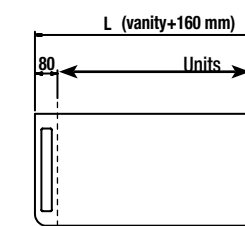
Left side towel holder



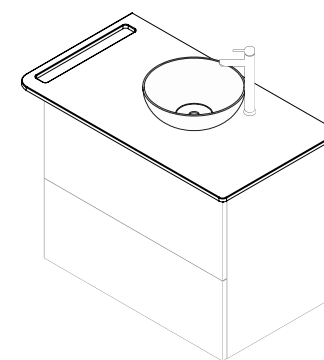
Right side towel holder



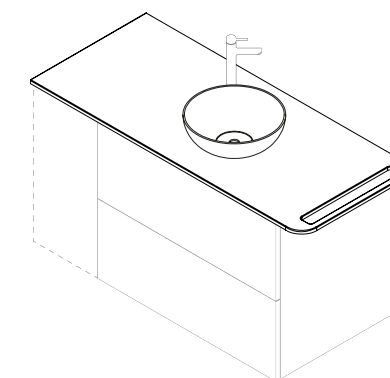
Towel holder on both sides



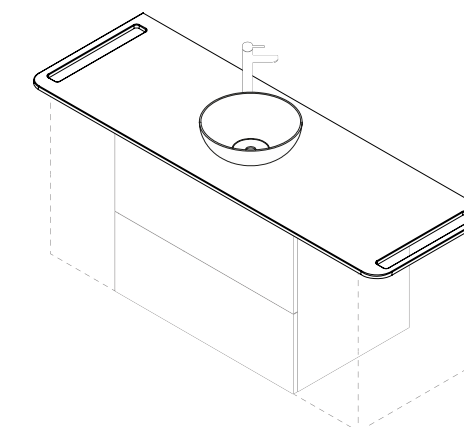
Left side towel holder



Right side towel holder

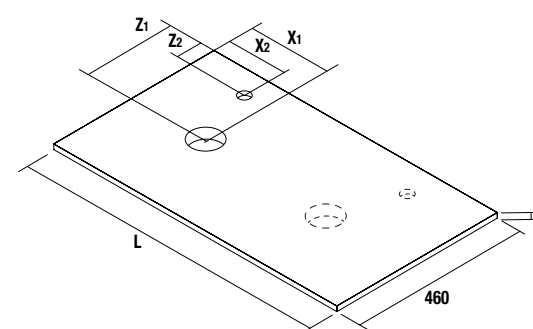


Towel holder on both sides



COUNTER TOPS WITH A THICKNESS OF 12 MM

Solid surface counter tops with a thickness of 12 mm. In special sizes with or without machining.



Special order		Matt White	
		cod.	
<1000		24460	
1001 - 1400		24461	
1401 - 1800		24462	
1801 - 2000		24463	
2001 - 2400		24464	

Download order sheet



Note: tops with special length, 15 working days.

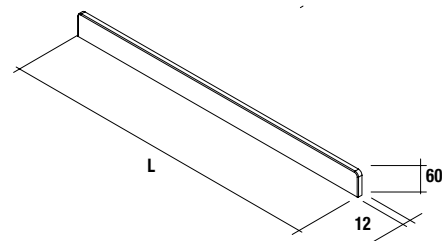
SOLID SURFACE COUNTER TOPS AND ACCESSORIES

MACHINED AND BESPOKE LENGTH
COUNTER TOPS AND ACCESSORIES



FRONT STRIP FOR WORKTOP

Solid surface front strip for placing on countertops, thickness 12 mm.



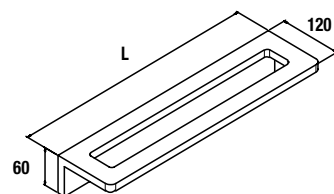
		Matt White	
		cod.	
Special order	<1000	85486	
	1001 - 1400	85487	
	1401 - 1800	85488	
	1801 - 2000	85489	
	2001 - 2400	85490	

Note: tops with special length, 15 working days.

SOLID SURFACE ACCESSORIES

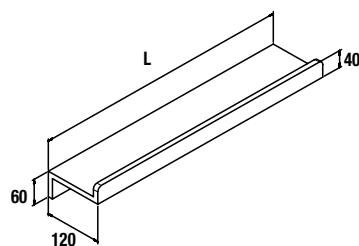
Towel holder and solid surface bespoke shelf.

Towel rail shelf solid surface
Bespoke.



		Matt White	
		cod.	
Stock	400	26126	
	500	26127	
	600	26128	
Special order	<400	24729	
	401 - 600	24730	
	601 - 800	24731	

Shelf solid surface.
Bespoke.



		Matt White	
		cod.	
Stock	400	82333	
	500	82334	
	600	82335	
Special order	<400	24732	
	401 - 600	24733	
	601 - 800	24734	