

Collection

## KUSASI

Article

### EKS207

Description

**Wall mounted washbasin mixer with long spout complete with drain. Built-in body to be purchased separately INC206**

Box Dimensions

265x260x70 mm

Weight

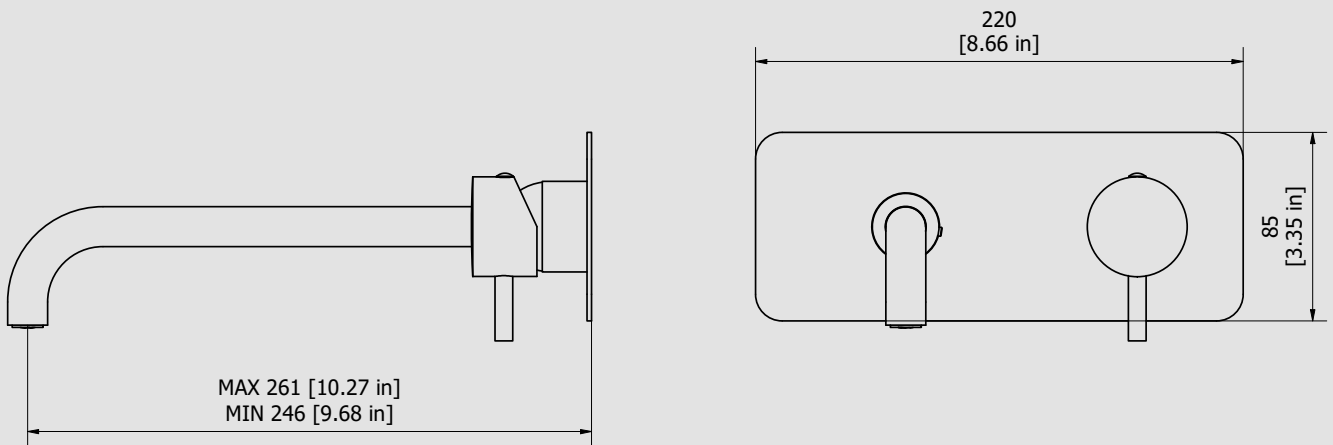
1.2 kg

Finishes

- CC**  
CHROME
- PL**  
PLATINUM
- SS**  
BRUSHED  
NICKEL
- ON**  
NATURAL  
BRASS
- BO**  
MATT  
WHITE
- NP**  
MATT  
BLACK
- CF**  
BLACK  
CHROME
- CS**  
BRUSHED  
BLACK  
CHROME
- II**  
PALE  
GOLD
- IS**  
BRUSHED  
PALE GOLD
- RS**  
ROSE  
GOLD
- SR**  
BRUSHED  
ROSE GOLD
- OO**  
GOLD
- OS**  
BRUSHED  
GOLD
- RR**  
ANTIQUÉ  
COPPER
- BB**  
ANTIQUÉ  
BRONZE



Dimensions



Cartridge

**Ø35 ceramic cartridge**

Hoses

Aerator

**M16.5x1**

Flow Rate (+/-10%)

1 BAR	2 BAR	3 BAR
7.6 l/m	10.5 l/m	13 l/m

Production

**Main body is a machined from a solid pieces**

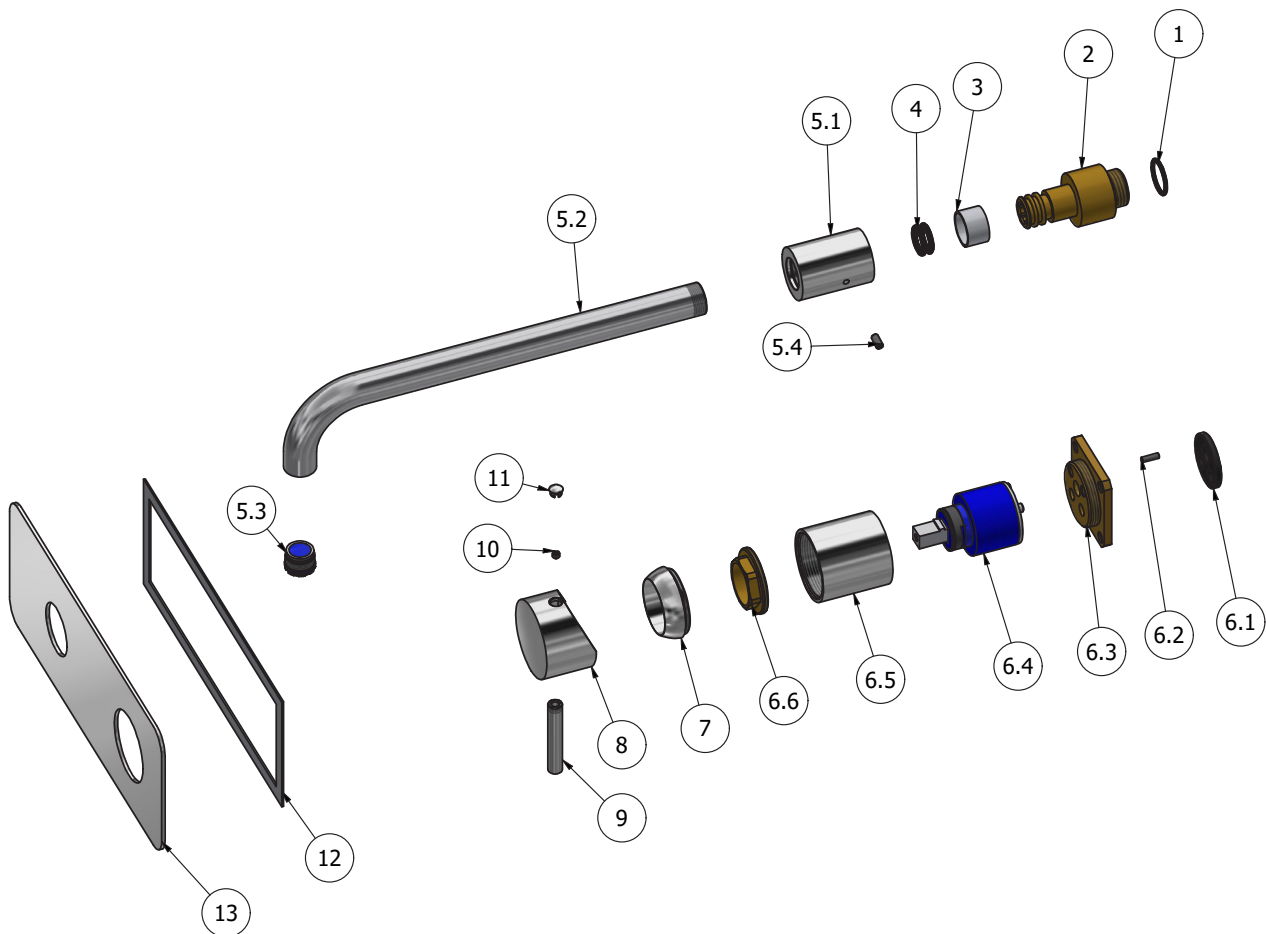
Material

**BRASS**  
According to CuZn42 (CW510L)  
Max Lead content: 0.2%



WE ARE IB

Parts list			
ELEM.	CODE	DESCRIPTION	QTÀ
1	AQ0004630	OR 17.16x1.78 NBR 70 SH	1
2	AS0011746	Spout-out insert G1/2" H59	1
3	AQ0010143	Antifriction ring Ø20 H12.5	1
4	AQ0001360	OR 11.91x2.62 NBR 70 SH	2
5	CP11996CC-1	Spout Ø18 L244	1
5.1	AC0011554	Insert for spout-out Ø30 L42	1
5.2	AC0011996	Spout-out M18x1 M16.5x1 Ø18 L244	1
5.3	AQ0014236	Cachè perlator M16,5 x 1 coin slot (44.3230.450)	1
5.4	AQ0006921	Grubscrew M4x8 flat point	1
6	CPIN206CC-19	Mixer 47x47 x recessed	1
6.1	AQ0015684	Gasket Ø31 H3.5 Ø7 Ø7.5	1
6.2	AQ0015357	Grubscrew M3x10 flat point	1
6.3	AS0013040	Insert 47x47 H11 M37x1.5	1
6.4	AQ0004095	Ceramic cartridge Ø35 9x9 (K35A)	1
6.5	AC0010445	Ring for recessed shower mixer	1
6.6	AQ0001040	Cartridge ring nut M37x1.5 H9	1
7	AQ0003630	Cartridge ring nut cover M37x1.5	1
8	AC0009805	Handle Ø45 H29	1
9	AC0014230	Rod Ø8 H47 M8x1.25	1
10	AQ0001082	Grubscrew M4x4 cone point	1
11	AQ0006650	Plug cover Ø7	1
12	AQ0014142	Rubber packing double-sided tape 200x75x8x1	1
13	AC0013126	Plate 220x85x2	1





### WARRANTY

All IB Rubinetterie SpA products are warranted for 10 years from the date of purchase, for the following cases:

- Defects of casting, porosity and chrome plating.
- Operating defects caused by incorrect fabrication.

The warranty provides for repair or replacement of products with fabrication defects recognized by our technical office. There is no other type of compensation anche the merchandise must be returned FOB our warehouse. The warranty only cover surface defects (scatches, dings, etc.) on fitting that have not been installed and used, returned in its original packaging with all components. O-ring, gasket seals and components subject to wear proportional to use are warranted for 2 years.

#### The warranty is void in the following cases:

Error installing and putting the product into service.

Deterioration of finished surfaces due to use of cleaning products containing acids or abrasive substances. Deterioration of surface with finishes other than chrome plating. Their durability is, in fact, dependent on the user's care and gentleness of use.

Deterioration of the fitting due incorrect installation.

Improper repairs and maintenance performed without the company's prior authorization.

The warranty from IB Rubinetterie SpA is not renewable.

#### Cleaning

We recommended cleaning the finish surfaces with water and soap, using a soft cloth.

Do not use detergents that contain hydrochloric acid or abrasive substances.

