

Hand shower set - Brushed Platinum

TARA



27 805 625



Fits: TARA, META

- COMPACT RAIN, max. flow rate 15 l/min (at 3 bar)
- spray head Ø 100mm
- three settings: normal flow, soft flow, massage flow
- with anti-scale system
- metal shower hose 1250mm with integrated anti-twist protection
- shower holder rosette Ø 55mm
- WRAS 2304001

Intrinsic protection against back flow.

	Brushed Platinum	27 805 625-06
	Chrome	27 805 625-00
	Chrome	27 805 625-00 0010
	Brushed Platinum	27 805 625-06 0010
	Dark Chrome	27 805 625-19
	Dark Chrome	27 805 625-19 0010
	Light Gold	27 805 625-26 0010
	Light Gold	27 805 625-26
	Brushed Light Gold	27 805 625-27 0010
	Brushed Light Gold	27 805 625-27
	Brushed Durabronze (23kt Gold)	27 805 625-28
	Brushed Durabronze (23kt Gold)	27 805 625-28 0010
	Matte Black	27 805 625-33
	Matte Black	27 805 625-33 0010
	Brushed Bronze	27 805 625-42 0010
	Brushed Bronze	27 805 625-42
	Brushed Champagne (22kt Gold)	27 805 625-46
	Brushed Champagne (22kt Gold)	27 805 625-46 0010
	Champagne (22kt Gold)	27 805 625-47
	Champagne (22kt Gold)	27 805 625-47 0010
	Brushed Chrome	27 805 625-93
	Brushed Chrome	27 805 625-93 0010
	Brushed Dark Platinum	27 805 625-99
	Brushed Dark Platinum	27 805 625-99 0010

27 805 625

Recommended miscellaneous

Concealed wall elbow -

- max. recess depth 163 mm
- min. recess depth 90 mm

35 085 970 90



Recommended miscellaneous

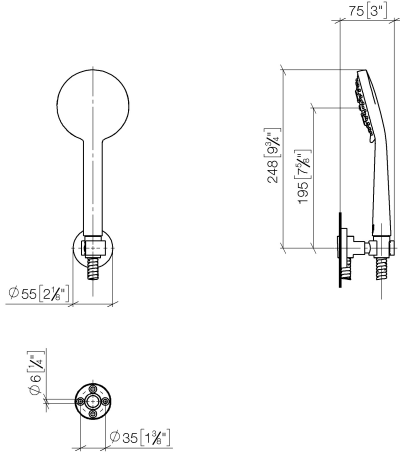
Wall elbow - Brushed Platinum

28 450 625-06

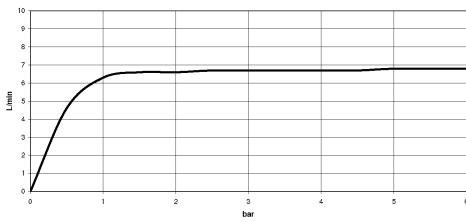


27 805 625

mm [inches]



Flow rate chart



Codes & Standards

DIN 4109

ISO 3822

Scottish Water
Byelaws

UK Water Supply
Regulations

Ü-Zeichen



Hand shower set - Brushed Platinum

TARA

27 805 625

Certificates

WRAS_2304

LGA_29

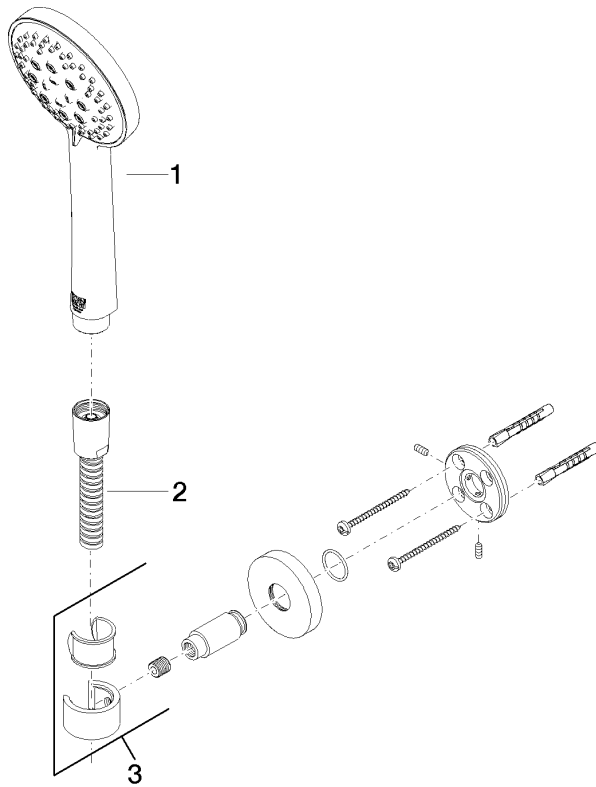
LGA_29

27 805 625

Product version up to 6/30/2015

Product version from 6/30/2015 to 6/3/2020

Product version from 6/3/2020





Hand shower set - Brushed Platinum

TARA

27 805 625

Spare parts list

Product version up to 6/30/2015

Product version from 6/30/2015 to 6/3/2020

Product version from 6/3/2020

No.	Item Number	Name	Quantity used	Delivery time
	28 014 979-06	shower	3	60