

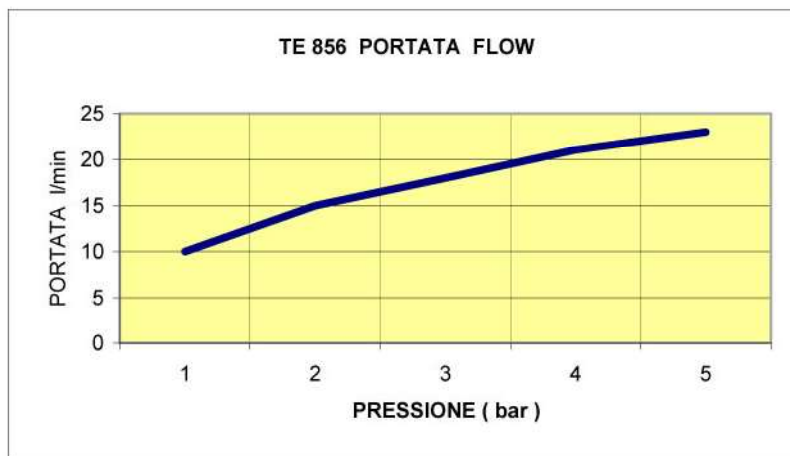
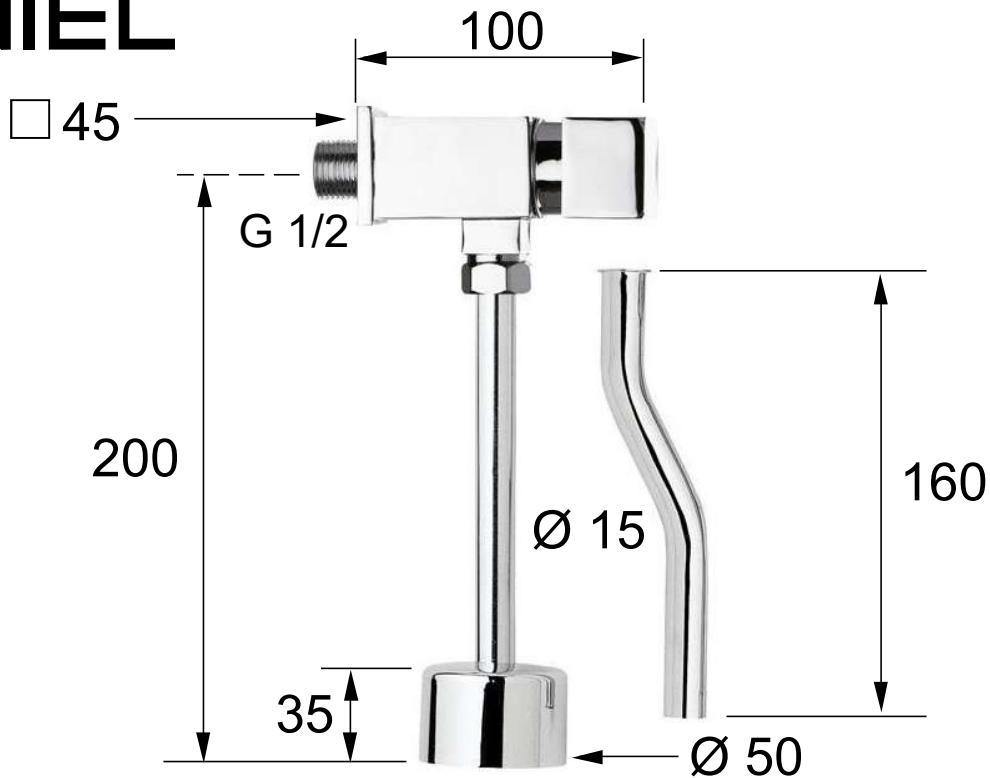


DANIEL

SCHEDA TECNICA TECHNICAL FEATURES

ART. COD.

TEM40860



APERTURA / OPENING 6/8 s

MATERIALI / MATERIALS

OTTONE CROMATO / CHROME PLATED BRASS

CROMATURA / CHROME PLATING

UNI EN 248