



WE ARE IB

Collection

HERMES ELLE

Article

HL400_2

Description

Two holes wall mounted shower.

Box Dimensions

175x125x90 mm

Weight

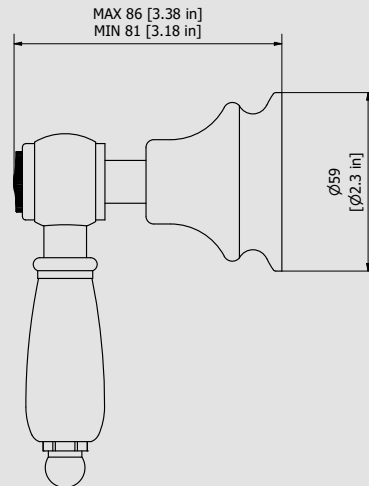
0.8 kg

Finishes

- **CC**
CHROME
- **PL**
PLATINUM
- **SS**
BRUSHED
NICKEL
- **ON**
NATURAL
BRASS
- **BO**
MATT
WHITE
- **NP**
MATT
BLACK
- **CF**
BLACK
CHROME
- **CS**
BRUSHED
BLACK
CHROME
- **II**
PALE
GOLD
- **IS**
BRUSHED
PALE GOLD
- **RS**
ROSE
GOLD
- **SR**
BRUSHED
ROSE GOLD
- **OO**
GOLD
- **OS**
BRUSHED
GOLD
- **RR**
ANTIQUÉ
COPPER
- **BB**
ANTIQUÉ
BRONZE



Dimensions



Cartridge

Ceramic headwork

Threaded fitting

-

Aerator

-

Flow Rate (+/-10%)

1 BAR
26 l\m

2 BAR
38 l\m

3 BAR
46 l\m

Production

Main body is a single casted pieces.

Material

BRASS
According to CuZn40Pb3 (CW614N)
Max Lead content: 2.5%

IB RUBINETTERIE s.p.a
via dei Pianotti 3/5
25068 Sarezzo (BS) - Italy -

T. +39 030 802101
F. +39 030 803097
info@weareib.it

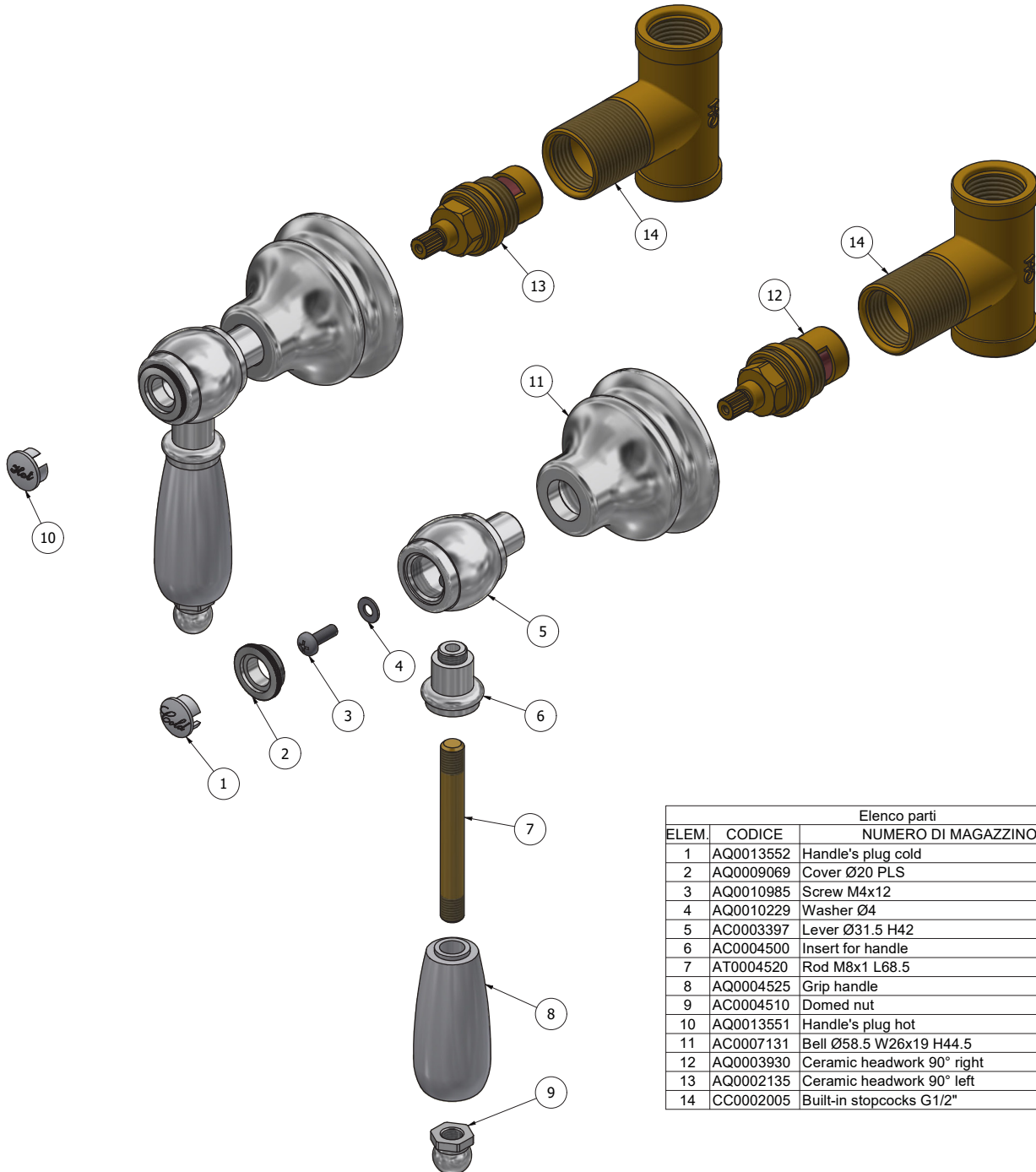
P.IVA 01785230986
capitale sociale
€420.000,00 i.v.

www.weareib.it





WE ARE IB



Elenco parti			
ELEM.	CODICE	NUMERO DI MAGAZZINO	QTÀ
1	AQ0013552	Handle's plug cold	1
2	AQ0009069	Cover Ø20 PLS	2
3	AQ0010985	Screw M4x12	2
4	AQ0010229	Washer Ø4	2
5	AC0003397	Lever Ø31.5 H42	2
6	AC0004500	Insert for handle	2
7	AT0004520	Rod M8x1 L68.5	2
8	AQ0004525	Grip handle	2
9	AC0004510	Domed nut	2
10	AQ0013551	Handle's plug hot	1
11	AC0007131	Bell Ø58.5 W26x19 H44.5	2
12	AQ0003930	Ceramic headwork 90° right	1
13	AQ0002135	Ceramic headwork 90° left	1
14	CC0002005	Built-in stopcocks G1/2"	2



WARRANTY

All IB Rubinetterie SpA products are warranted for 10 years from the date of purchase, for the following cases:

- Defects of casting, porosity and chrome plating.
- Operating defects caused by incorrect fabrication.

The warranty provides for repair or replacement of products with fabrication defects recognized by our technical office. There is no other type of compensation anche the merchandise must be returned FOB our warehouse. The warranty only cover surface defects (scatches, dings, etc.) on fitting that have not been installed and used, returned in its original packaging with all components. O-ring, gasket seals and components subject to wear proportional to use are warranted for 2 years.

The warranty is void in the following cases:

Error installing and putting the product into service.

Deterioration of finished surfaces due to use of cleaning products containing acids or abrasive substances. Deterioration of surface with finishes other than chrome plating. Their durability is, in fact, dependent on the user's care and gentleness of use.

Deterioration of the fitting due incorrect installation.

Improper repairs and maintenance performed without the company's prior authorization.

The warranty from IB Rubinetterie SpA is not renewable.

Cleaning

We recommended cleaning the finish surfaces with water and soap, using a soft cloth.

Do not use detergents that contain hydrochloric acid or abrasive substances.

