

Sink Milanello Workstation 1034 850

Sinks

Code: 1034 850



DETAILS

Finish	Foster brushed
Material	AISI 304 stainless steel
Texture	Satin
Base	90 cm
Edge/Installation Type	Undermount
Dimensions	790x466 mm
Standard fittings	Fixing hooks, gasket, drain, overflow and siphon, boxed packing
Mixer holes	No standard holes
Built-in hole	View technical data sheet (for all Flush-mount / Top-mount models and Under-mount models)

Drainer No

Width 79 cm

Bowl dimension 750x374mm

Number of bowls 1 bowl

Waste fitting 3,5" drain

EQUIPMENT

2 x Black grid Milanello 8100
602

FEATURES

Diamond-shape bottom The draining of water is an important feature in a sink, and it's always taken good care of in Foster products. In the bent-welded sinks, which would have a flat bottom, the proper draining is guaranteed by the elegant beveling, which helps the water flow.

High thickness 1mm thick steel. A significant thickness, which guarantees the maximum sturdiness and durability.

Perimetral overflow The overflow is always a security on the Foster sinks that prevents the overflow of water in case of oversights. The perimeter drain solution improves aesthetics thanks to its square and essential shape.

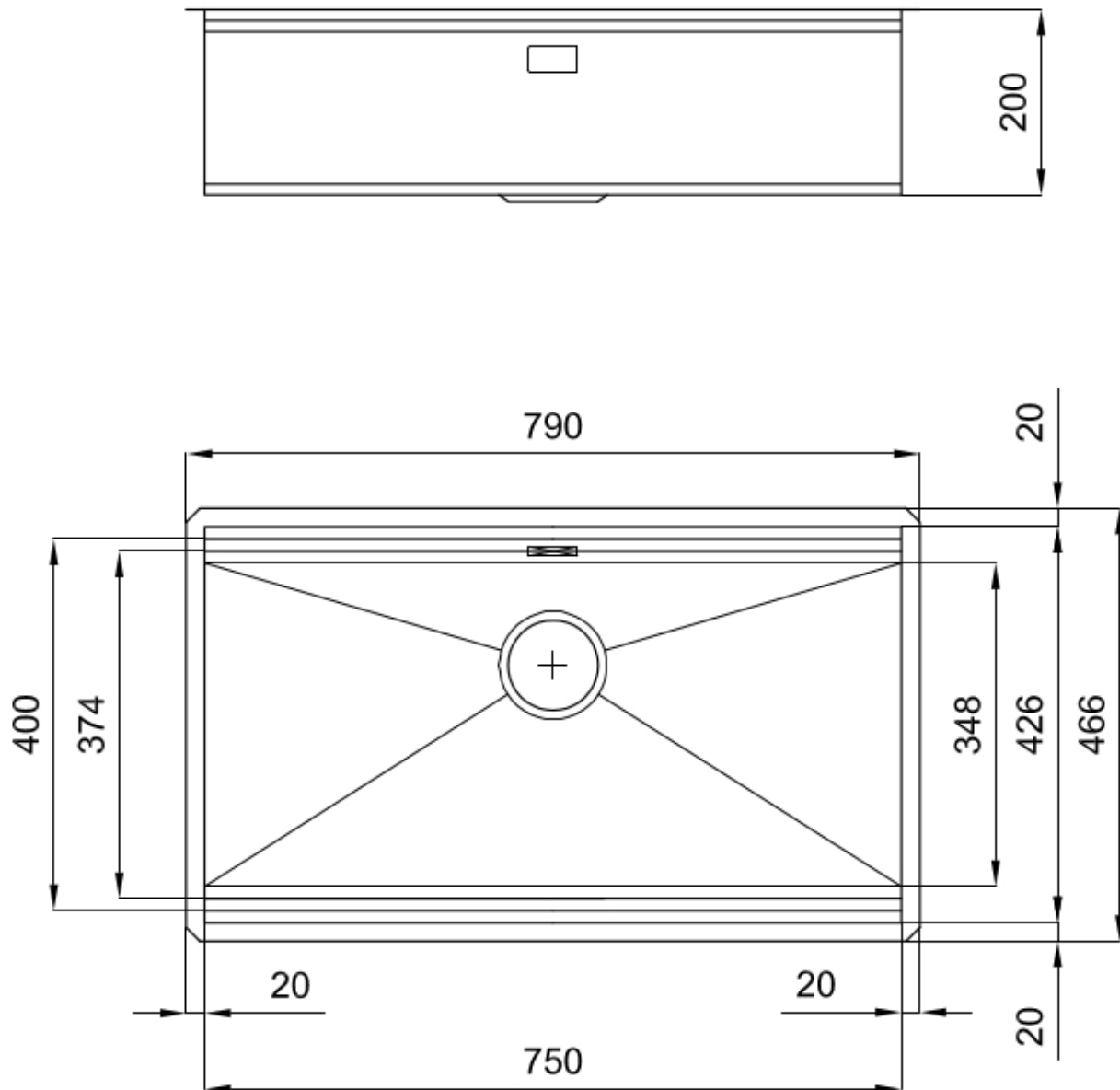
Save space system Drain and siphon are designed to leave as much space as possible in the under-sink area, more and more useful today for theseparate waste collection systems.

Space waste fitting The elegant SPACE steel cap closes the drain and leaves no visible residues collected in the basket below. Space also has a small footprint and allows the optimal use of the under-sink compartment.

Triple recess - sliding accessories

The Foster Milano sink has an ingenious design that makes it simple to use a large set of optional accessories. On the topmost supporting step, the innovative Black grids slide, creating a large and practical surface to rinse food and crockery. The second step is meant to support and allow the sliding of a complete combination of accessories, which make some operations practical and safe: rinse, drain, slice, grate... everything can be done inside the sink. The third supporting step is on the bottom of the bowl. On this step one can rest the Black grids, making it possible to rinse foodstuffs without their coming in contact with the bottom of the sink, which may be dirty.

TECHNICAL DATA

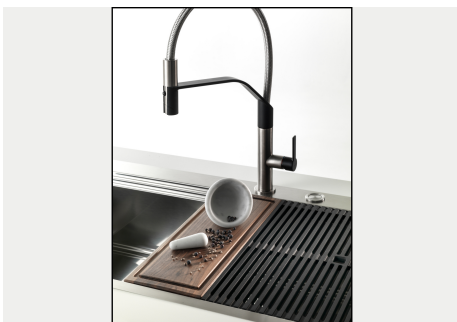


750

426

Cut out size - Dimensioni per foratura top

GALLERY



EQUIPMENT



Black grid Milanello 8100 602

OPTIONAL ACCESSORIES



Glass chopping board 8631 300



HPDE Chopping board 8657 001



HPDE Twin chopping board 8644 101



Iroko-wood twin chopping board 8644 004



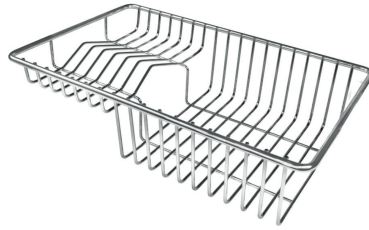
Stainless steel colander 8154 000



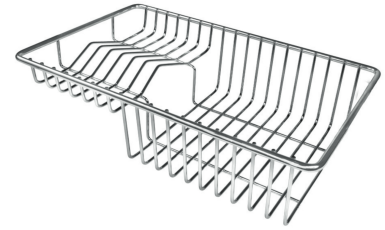
Stainless steel perforated tray 8156 000



Stainless steel plate rack 8100 154



Stainless steel plate rack 8100 303



Stainless steel Plate rack 8100 306



Walnut-wood chopping board 8642 003



Graters kit with ring-holder and food collection tray 8159 101

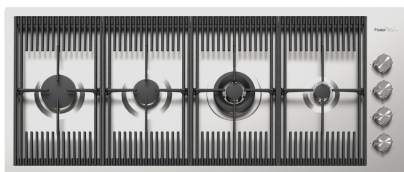


Stainless steel perforated tray 8151 000

WARNING:

The accessories 8159101, 8100303, 8151000 are only usable in combination with 8644101
The accessories 8100154, 8154000 are only usable in combination with 8644004

RECOMMENDED PAIRINGS



Cooker hob Milanello 7681 000



Mixer Tap Milanello 8425 100