



**LEVELe™** ELEVATOR INTERIORS

PRODUCT DATA





## LEVELe™ ELEVATOR INTERIORS

PRODUCT DATA

**LEVELe Elevator Interiors** were designed with the requirements of today's buildings in mind. LEVELe evolves the LEVELc program, introduced more than 20 years ago, with greater energy efficiency, and an expanded range of material and handrail options. Self-revealing extrusion channels, aluminum panel frames, and a structural backer come together to create a lightweight system that is easy to install and maintain. For design continuity throughout a space, LEVELe Elevator Interiors coordinate with our LEVELe Wall Cladding System and LEVELe Columns. In addition, many of the high-performance F+S materials available for LEVELe are also available with F+S doors, door frames, elevator door skins, sheet goods and more.

LEVELe Elevator Interiors can be configured to meet the needs of any new equipment or modernization project. Complete packages are available for all typical sizes of passenger and service cabs, single or double opening. Eight standard configurations – all available with a wide range of materials, finishes and patterns from our extensive Surfaces palette – give you unhindered creative freedom. Panel shapes and sizes can vary according to specification and field requirements.

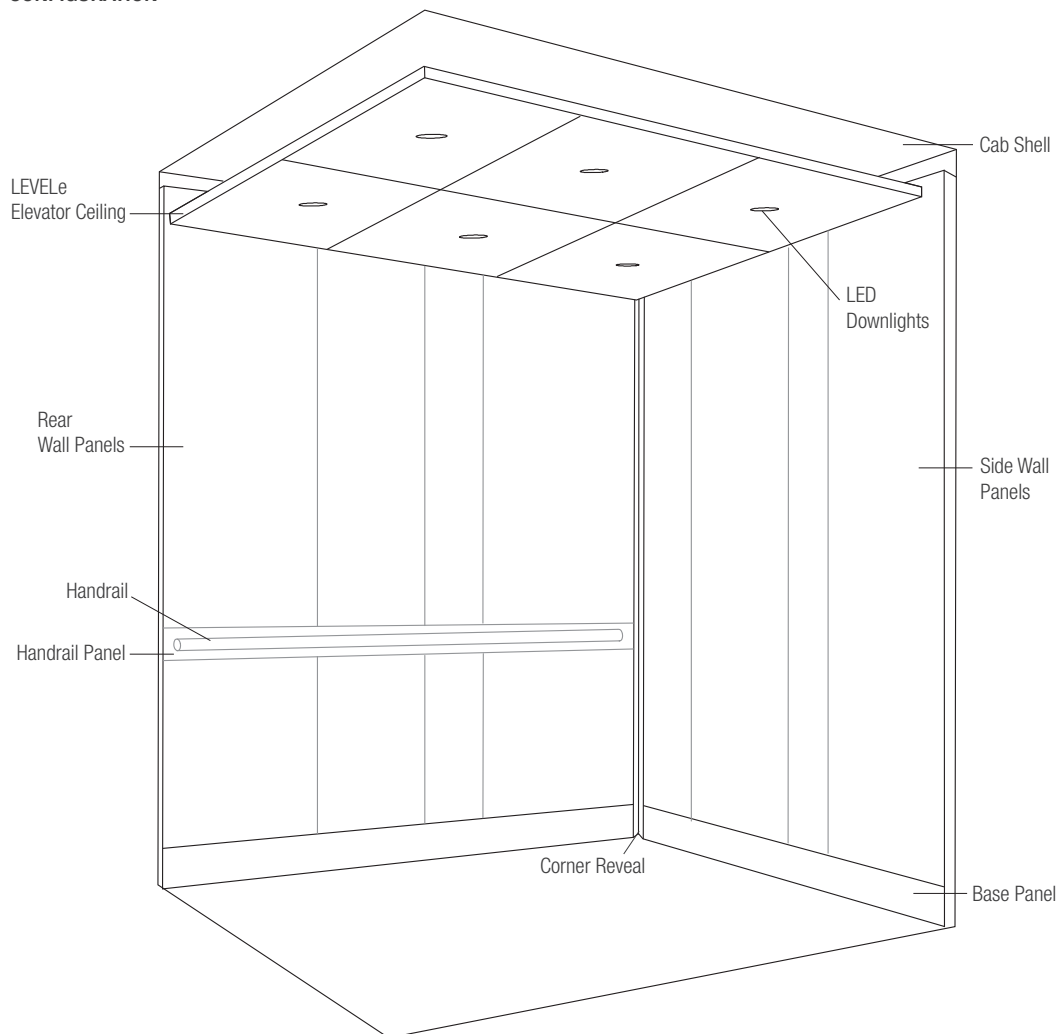
### STANDARD COMPONENTS

Wall Panels, Bases, Reveals, Installation Hardware

### OPTIONAL SUPPORTING COMPONENTS

Handrails, Crash Rails, Ceiling with Light Fixtures, and Emergency Lighting Power Source

FIG. 1 - LEVELe-101 CONFIGURATION



T 1.800.451.0410 | F 412.385.4715 | [www.forms-surfaces.com](http://www.forms-surfaces.com)

**FORMS+SURFACES®**

© 2021 Forms+Surfaces® | All dimensions are nominal. Specifications and pricing subject to change without notice. For the most current version of this document, please refer to our website at [www.forms-surfaces.com](http://www.forms-surfaces.com).





**STANDARD INSET MATERIAL OPTIONS**

<p><b>VIVIDGLASS</b></p> <p>VividGlass laminated glass has tremendous creative potential. Offering numerous ways to transform spaces with colors, patterns and graphics, many of our VividGlass designs can be specified as panel insets including selections from our ViviChrome, ViviGraphix, ViviSpectra, ViviStone, ViviStrata and ViviTela families. Please refer to the individual VividGlass Product Data Sheets for swatches and additional information.</p>	<p><b>CASTGLASS LEVELS GLASS</b></p> <p>CastGlass Levels glass is artisanal kiln cast glass laminated with color and graphic interlayers. Three Levels families, each with its own textural aesthetic, bring creative plays of color, texture and light to walls, columns, elevator interiors and more. Please refer to the individual Classic Levels, Profile Levels, and Intervals Levels Product Data Sheets for design swatches and additional information.</p>	<p><b>STAINLESS STEEL</b></p> <p>Stainless Steel in all of our standard finishes can be specified for panel insets. A variety of optional patterns, applied to the stainless steel/finish combination, can also be specified for added visual interest and enhanced functionality. Impression and Fusion patterns bring dimension to the surface; eco-friendly Eco-Etch® patterns offer a wide array of standard designs and vast customization potential. Please refer to the Stainless Steel Product Data Sheet for finish and pattern swatches and additional information.</p>
<p><b>FUSED METAL</b></p> <p>Fused Metal is Forms+Surfaces' exclusive line of colored stainless steel. Created by fusing titanium alloys to the stainless substrate at the molecular level, Fused Metal provides the durability and low maintenance of stainless steel in a rich range of colors. Please refer to the Fused Metal Product Data Sheet for color, finish, and pattern swatches and additional information.</p>	<p><b>ELEMENTAL METAL</b></p> <p>Elemental Metal pairs the performance benefits of stainless steel with the timeless beauty of oxidized metal. The finishing process creates organic variations in the material's appearance while also increasing the fingerprint resistance and maintenance ease of the material. These fluctuations in tone add visual depth and result in subtle shifts across individual sheets and from one sheet to the next. The standard color is Elemental Carbon. Please refer to the Elemental Metal Product Data Sheet for details.</p>	<p><b>LINQ WOVEN METAL</b></p> <p>Linq is Forms+Surfaces' answer to woven metal. CrossLinq patterns consist of flat and/or round wires interwoven to create distinctive textures and designs. CrossLinq patterns emphasize Stainless Steel, though Brass may be specified on a per-project basis. Please refer to the Linq Product Data Sheet for additional information.</p>
<p><b>BONDED METAL</b></p> <p>Bonded Metal castings are light in weight yet extremely durable. The material's high relief, highly detailed surfaces have the character and appearance of solid metal. A wide range of patterns, metal colors and patinas offer a striking breadth of design possibilities. Please refer to the Bonded Metal Product Data Sheet for complete information.</p>	<p><b>BONDED QUARTZ</b></p> <p>Bonded Quartz combines ceramic microspheres and a fiber-reinforced polymer matrix to form a material that is lightweight, durable and easy to clean. Standard colors are White and Charcoal; custom colors are also available. A variety of sculptural patterns complete the design options. Please refer to the Bonded Quartz Product Data Sheet for complete information.</p>	<p><b>WOOD VENEER</b></p> <p>Our natural wood veneers are finished with three coats of polyurethane for superior abrasion resistance while maintaining all the richness and authenticity of genuine wood. Please refer to the Wood Veneer Product Data Sheet for material options and additional information.</p>

**PANEL TYPE AND INSET MATERIAL OPTIONS**

	MINIMAL PANEL**	CAPTURE PANEL**
VIVIDGLASS	•	•
CASTGLASS LEVELS GLASS	•	•
STAINLESS STEEL	•	•
FUSED METAL	•	•
ELEMENTAL METAL	•	•
LINQ WOVEN METAL	•	•
BONDED METAL*	•	•
BONDED QUARTZ*	•	•
WOOD VENEER	•	•
<p><b>THIRD PARTY INSET MATERIALS</b></p>	<p>Customers sometimes wish to specify their own inset materials to match lobby walls or other areas on specific projects. This is generally feasible, provided the materials meet certain dimensional requirements. Please call for more information.</p>	

\*If Carbon, Champagne, Chardonnay, Crinkle, Dune, Kalahari, Mara or Waterfall patterns are selected, Capture panel frames must be used throughout the cab.

\*\* Minimal and Capture panels are also available in our LEVELe Wall Cladding and Column Systems

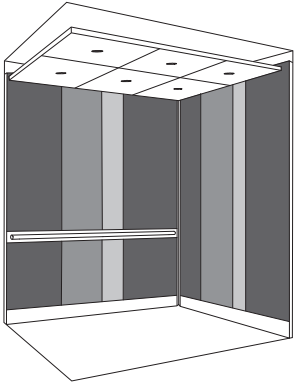


## LEVELe™ ELEVATOR INTERIORS

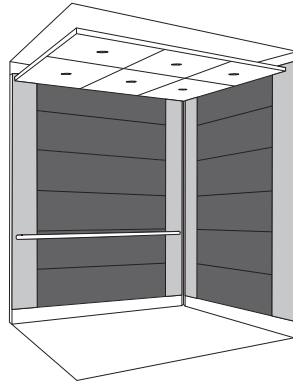
PRODUCT DATA

### STANDARD CONFIGURATIONS

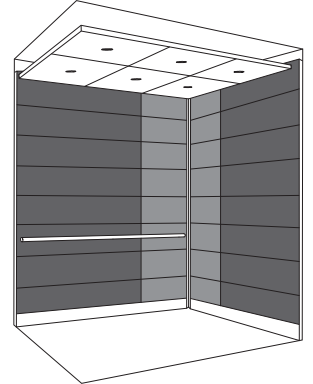
LEVELe Elevator Interiors are available in eight standard configurations. All can be configured using the **Elevator Design Studio**, our interactive online design tool that puts creative control at your fingertips. The intuitive, step-by-step format lets you choose an elevator interior configuration, apply materials and finishes from our extensive Surfaces library, view your progress in realistic renderings, and request budget pricing – all with a few simple clicks. Visit [www.elevatordesignstudio.com](http://www.elevatordesignstudio.com) to give it a try and see how easy it is.



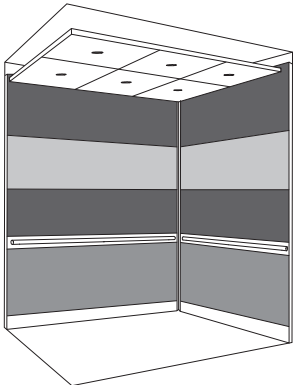
LEVELe-101



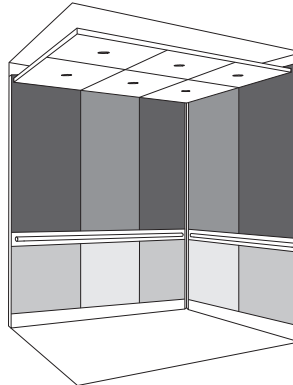
LEVELe-102



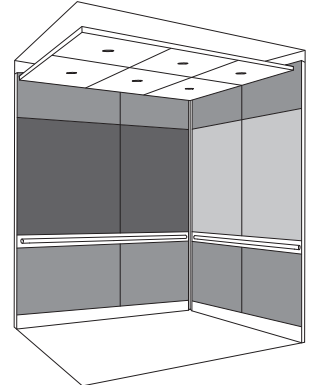
LEVELe-103



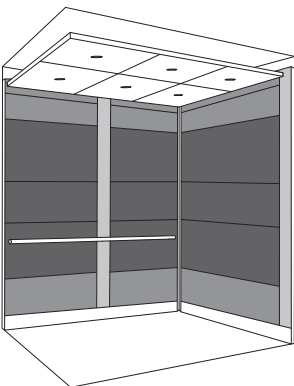
LEVELe-104



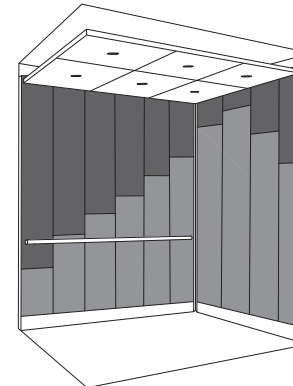
LEVELe-105



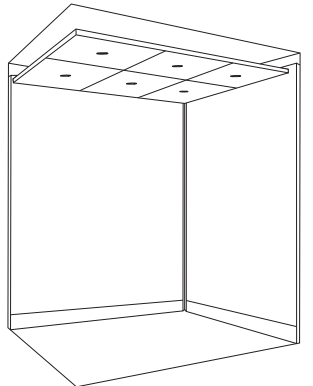
LEVELe-106



LEVELe-107



LEVELe-108



Contact us for more information  
on custom configurations



**SYSTEM COMPONENTS**

<p><b>WALL PANELS</b></p> <ul style="list-style-type: none"> <li>Panel frames are extruded aluminum. All panel frame corners are mitered.</li> <li>Minimal and Capture panel frames are available in Clear, Black, Antique Bronze or Duranodic Bronze anodized finishes.</li> <li>Panel insets consist of a decorative face material bonded to a fire-rated substrate. Inset material options vary by panel type. (Refer to table on page 2)</li> </ul>		
<p><b>BASES &amp; REVEALS</b></p> <ul style="list-style-type: none"> <li>90° angled reveals are supplied for the cab rear corners; flat reveal strips are supplied for front corners. Corner reveals are aluminum and are available in a choice of Clear or Black anodized finishes. Reveals are installed with pre-applied mounting adhesive.</li> <li>A 3.5" (88.9 mm) high base is fitted between the finished floor and the wall panels. Bases consist of Stainless Steel or Fused Metal decorative faces applied to an extruded aluminum substrate with pre-applied mounting adhesive.</li> <li>Minimal and Capture panels frames are used with LEVELe Elevator Interiors. F+S recommends using the Capture panel frame with thicker, heavier materials, such as glass.</li> </ul>		
<p><b>MINIMAL PANEL FRAME DETAIL</b></p>	<p><b>CAPTURE PANEL FRAME DETAIL</b></p>	

**COMPATIBILITY & WEIGHT**

<p><b>SHELL COMPATIBILITY</b></p> <p>LEVELe Elevator Interiors can be specified for elevators of any size, weight capacity, or door configuration. Most interiors are installed in steel elevator shells but can also be supplied with appropriate screws for installation in wood shells. Most elevator shells are found to be out-of-square to some degree. LEVELe wall panels and corner reveals have sufficient tolerances built into them to easily accommodate the vast majority of out-of-square conditions or other dimensional irregularities.</p>	<p><b>WEIGHT INFORMATION</b></p> <ul style="list-style-type: none"> <li>LEVELe Elevator Interior panels weigh up to approximately 2-3 lbs. per square foot depending on the inset material selected, with the exception of glass, which is approximately 5.25 lbs. per square foot.</li> <li>Diamalite Glass Panels can be used as an alternative to standard laminated glass, where weight restrictions apply.</li> <li>Ceilings (including lights and structural elements) weigh approximately 2.97 lbs. per square foot.</li> <li>Handrail weights vary by series and length.</li> <li>Estimated total weights for customer-specified cab interiors can be provided by Forms+Surfaces once shell dimensions, material selections and other system options are detailed in the Design Guide.</li> </ul>
---	---



**HANDRAIL AND CRASH RAIL OPTIONS**

Optional handrails from one of six standard series can be specified for elevator interior back walls and/or side walls. For handrails that span multiple panels, Compass handrails with Cylinder or Bullet standoffs or Quadrant handrails with any standoff are recommended. For elevator door openings that are flush with the adjacent side wall(s), a Round handrail with radius bend ends is recommended. When using VividGlass for the handrail panel(s), an escutcheon will be required at each standoff for most handrails; exceptions include Compass handrails with Cylinder or Bullet standoffs or Quadrant handrails with any standoff. For Crash Rail information, please see the Elevator Crash Rail Product Data Sheet.

**COMPASS™ SERIES**

<p>Bullet</p> <p>Double Ring</p> <p>Cylinder</p> <p>Ring</p> <p>Clamshell</p>	<p>1.25" diameter tubular rail with choice of Bullet, Cylinder, Ring, Double Ring or Clamshell standoffs. Metals and finishes can be mixed or matched on rails and standoffs to create either uniform or contrasting effects.</p> <p><b>Rail Material and Finish Options</b></p> <ul style="list-style-type: none"> <li>• Satin Stainless Steel</li> <li>• Polished Stainless Steel</li> <li>• Stippled Stainless Steel</li> <li>• Black Santoprene</li> <li>• Satin Bronze</li> <li>• Polished Bronze</li> <li>• Stippled Bronze</li> <li>• Oil-Rubbed Bronze</li> <li>• Stippled Oil-Rubbed Bronze</li> </ul> <p><b>Standoff Material and Finish Options</b></p> <ul style="list-style-type: none"> <li>• Satin Stainless Steel</li> <li>• Polished Stainless Steel</li> <li>• Stippled Stainless Steel</li> <li>• Satin Bronze</li> <li>• Polished Bronze</li> <li>• Stippled Bronze</li> <li>• Oil-Rubbed Bronze</li> <li>• Stippled Oil-Rubbed Bronze</li> </ul>
---	---

**QUADRANT™ SERIES**

<p>Block</p> <p>Clamp</p> <p>Vise</p>	<p>1" x 1.5" rectangular cross-section rail oriented with the wide edge facing out, with Block, Clamp or Vise standoffs. Metals and finishes can be mixed or matched on rails and standoffs to create either uniform or contrasting effects.</p> <p><b>Rail Material and Finish Options</b></p> <ul style="list-style-type: none"> <li>• Satin Stainless Steel</li> <li>• Polished Stainless Steel</li> <li>• Stippled Stainless Steel</li> <li>• Satin Bronze</li> <li>• Polished Bronze</li> <li>• Stippled Bronze</li> <li>• Oil-Rubbed Bronze</li> <li>• Stippled Oil-Rubbed Bronze</li> </ul> <p><b>Standoff Material and Finish Options</b></p> <ul style="list-style-type: none"> <li>• Satin Stainless Steel</li> <li>• Polished Stainless Steel</li> <li>• Stippled Stainless Steel</li> <li>• Satin Bronze</li> <li>• Polished Bronze</li> <li>• Stippled Bronze</li> <li>• Oil-Rubbed Bronze</li> <li>• Stippled Oil-Rubbed Bronze</li> </ul>
---------------------------------------	--



**SEXTANT™ SERIES**

<p>Bullet</p> <p>Cylinder</p> <p>Column</p> <p>Taper</p> <p>Tee</p>	<p>1.25" or 1.5" diameter tubular rail with choice of Bullet, Cylinder, Column or Taper finials. Tee standoffs join segments of Sextant rail. Metals and finishes can be mixed or matched on rails, finials and tee standoffs to create either uniform or contrasting effects.</p>
	<p><b>Rail Material and Finish Options</b></p> <ul style="list-style-type: none"> <li>• Satin Stainless Steel</li> <li>• Polished Stainless Steel</li> <li>• Stippled Stainless Steel</li> <li>• Black Santoprene</li> <li>• Satin Bronze</li> <li>• Polished Bronze</li> <li>• Stippled Bronze</li> </ul>
	<p><b>Finial and Tee Standoff Material and Finish Options</b></p> <ul style="list-style-type: none"> <li>• Satin Stainless Steel</li> <li>• Polished Stainless Steel</li> <li>• Stippled Stainless Steel</li> <li>• Satin Bronze</li> <li>• Polished Bronze</li> <li>• Stippled Bronze</li> <li>• Oil-Rubbed Bronze</li> </ul>

**MODULAR SERIES**

	<p>1.25" diameter tubular rail with L-shaped standoffs. Standoffs are always Clear Anodized Aluminum with Satin finish.</p>
	<p><b>Rail Material and Finish Options</b></p> <ul style="list-style-type: none"> <li>• Satin Stainless Steel</li> <li>• Polished Stainless Steel</li> <li>• Stippled Stainless Steel</li> </ul>

**ROUND SERIES**

<p>Radius Bend End</p> <p>Flat End</p>	<p>1.25" or 1.5" diameter round rail with choice of radius bend ends or flat ends with integral standoffs. Rails and standoffs are always the same metal and finish.</p>
	<p><b>Material and Finish Options</b></p> <ul style="list-style-type: none"> <li>• Satin Stainless Steel</li> <li>• Polished Stainless Steel</li> <li>• Stippled Stainless Steel</li> <li>• Satin Bronze</li> <li>• Polished Bronze</li> <li>• Stippled Bronze</li> <li>• Oil-Rubbed Bronze</li> </ul>

**RECTANGULAR SERIES**

	<p>1" x 2" rectangular cross-section rail with integral standoffs. Rails and standoffs are always the same metal and finish.</p>
	<p><b>Material and Finish Options</b></p> <ul style="list-style-type: none"> <li>• Satin Stainless Steel</li> <li>• Polished Stainless Steel</li> <li>• Stippled Stainless Steel</li> <li>• Satin Bronze</li> <li>• Polished Bronze</li> <li>• Stippled Bronze</li> <li>• Oil-Rubbed Bronze</li> </ul>



**CEILING**

CEILING OPTIONS	CEILING INSTALLATION	LIGHTING
<ul style="list-style-type: none"> <li>• Wall panels integrate easily with existing ceilings or you can specify a ceiling to complete your cab package. Our standard ceiling is a six-panel suspended island design with six low-voltage, high-efficiency LED downlights or high-output LED perimeter lighting. When using LED downlights, LED perimeter accent lighting or high-output LED perimeter lighting may also be specified. Our ceilings can support a maximum of nine downlights.</li> <li>• Ceiling panels consist of Stainless Steel, Elemental Metal, or Fused Metal decorative faces applied to a structural backer with black reveals. Any of the standard Stainless Steel or Fused Metal finishes may be specified.</li> <li>• The ceiling mounting extrusion is extruded aluminum with a clear anodized finish.</li> </ul>	<ul style="list-style-type: none"> <li>• The ceiling uses a side-mount installation system that attaches the ceiling to the upper side walls of the elevator shell. This system makes the ceiling very easy to install and provides a generous range of adjustment to align the ceiling with the wall panels.</li> <li>• A canopy-mount option incorporating track-adjustable tie rods is also available for large elevators and elevator configurations not conducive to the side-mount standard.</li> <li>• A minimum of 8" of clearance from the cab shell ceiling to the visible ceiling face is necessary for installation of the ceiling.</li> </ul>	<ul style="list-style-type: none"> <li>• All lighting systems include a power supply, wire harnessing and an integrated LED dimmer. Lighting systems come pre-wired with a 12 foot lead to allow for mounting to top of cab shell.</li> <li>• A dedicated input circuit is required for ceilings that are specified with a lighting option.</li> <li>• In LED downlight systems, each of the downlights is mounted in an all glass housing with quick-disconnect terminals.</li> <li>• High-output LED perimeter lighting is available as a standalone system, or it can be combined with our LED downlight system.</li> <li>• LED perimeter accent lighting is available for use with LED downlights.</li> <li>• Unit will stay illuminated if a single diode fails.</li> </ul>

**LED DOWNLIGHTS**

LAMP	POWER SUPPLY
<ul style="list-style-type: none"> <li>• MR16</li> <li>• Housing Material: All Glass</li> <li>• Mounting: Quick-mount spring toggles, allow installation or removal from either side of face panel</li> <li>• Fixture Dimensions: Overall Height: 1.73"   Overall Diameter: 1.96"</li> <li>• Base type: GU5.3</li> <li>• Dimmable: Down to 10%</li> <li>• Wattage: 6W</li> <li>• LED Quantity: 6/Lamp</li> <li>• Input Voltage: 12V AC/DC</li> <li>• Centerbeam Candlepower (cp): 1000</li> <li>• Lumens: 6W - 450lm/lamp</li> <li>• Color temperature: 3,000K CRI: 80+</li> <li>• Rated Life: 25,000 hours</li> <li>• Beam Angle: 25 &amp; 35 degrees</li> <li>• Compliance: ROHS &amp; UL listed</li> <li>• UV and IR radiation free</li> </ul>	<ul style="list-style-type: none"> <li>• LED Transformer</li> <li>• Wattage: 100W</li> <li>• Input Voltage: AC 120-240V</li> <li>• Current: 5 Amps</li> <li>• Output Voltage: 12V AC</li> <li>• Dimensions: 8" depth x 14" width x 4" height (nominal)</li> <li>• Compliance: UL listed components</li> </ul>

**LED PERIMETER ACCENT LIGHTING (ONLY AVAILABLE WITH LED DOWNLIGHT SYSTEM)**

LAMP	POWER SUPPLY
<ul style="list-style-type: none"> <li>• SMD 3528 Flexible LED strips, 300 LEDs/strip (approximately 500-600 per cab)</li> <li>• Housing Material: Extruded Aluminum</li> <li>• Mounting: Pre-installed in Extruded Aluminum channel</li> <li>• Metal Finish: Clear Anodized</li> <li>• Fixture Dimensions: Overall Height: 1.43"   Overall Depth: 2.1"</li> <li>• Wattage: 1.6W/lineal foot</li> <li>• LED Quantity: 60/m or 18.3/ft</li> <li>• Input Voltage: 12V</li> <li>• Lumens: 68lm/ft</li> <li>• Color temperature: 2,900-3,200K</li> <li>• Rated Life: 50,000 hours</li> <li>• Beam Angle: 120 degrees</li> <li>• Compliance: ROHS &amp; UL listed</li> </ul>	<ul style="list-style-type: none"> <li>• LED Transformer</li> <li>• Wattage: 100W</li> <li>• Input Voltage: AC 120-240V</li> <li>• Current: 12.5 Amps</li> <li>• Output Voltage: 12V AC and 12V DC</li> <li>• Dimensions: 8" depth x 14" width x 4" height (nominal)</li> <li>• Compliance: UL listed components</li> </ul>





**HIGH-OUTPUT LED PERIMETER LIGHTING (AVAILABLE STANDALONE OR WITH LED DOWNLIGHT SYSTEM)**

LAMP	POWER SUPPLY
<ul style="list-style-type: none"> <li>• SMD 5050 Flexible LED strips, 300 LEDs/strip (approximately 500-600 per cab)</li> <li>• Housing Material: Extruded Aluminum</li> <li>• Mounting: Pre-installed in Extruded Aluminum channel</li> <li>• Metal Finish: Clear Anodized</li> <li>• Fixture Dimensions: Overall Height: 1.43"   Overall Depth: 2.1"</li> <li>• Wattage: 4.4W/lineal foot</li> <li>• LED Quantity: 60/m or 18.3/ft</li> <li>• Input Voltage: 12V</li> <li>• Lumens: 307lm/ft</li> <li>• Color temperature: 2,900-3,200K</li> <li>• Rated Life: 50,000 hours</li> <li>• Beam Angle: 120 degrees</li> <li>• Compliance: ROHS &amp; UL listed</li> </ul>	<ul style="list-style-type: none"> <li>• LED Transformer</li> <li>• Wattage: 150W</li> <li>• Input Voltage: AC 120-240V</li> <li>• Current: 12.5 Amps</li> <li>• Output Voltage: 12V DC</li> <li>• Dimensions: 8" depth x 14" width x 4" height (nominal)</li> <li>• Compliance: UL listed components</li> </ul>

**EMERGENCY & VENTILATION**

EMERGENCY LIGHTING	EMERGENCY EXIT
<p>Emergency lighting is included in the standard lighting system, unless otherwise specified in writing. The emergency lighting system incorporates an additional power supply with a battery to power the emergency lights in the event of a main power failure. The power supply includes an automatic battery charger, test switch, low battery voltage circuit, and alarm terminals. The emergency lights are integrated into the standard downlight system; any of the downlights, as specified, can act as the emergency light. In ceilings without downlights, a separate emergency lighting system will be located at the front of the cab, unless otherwise specified.</p>	<p>The emergency exit can be placed anywhere in the ceiling as needed to line up with the exit opening in the cab shell canopy. The Design Guide asks you to detail the exact placement and this information will be verified via approval drawings.</p>
VENTILATION	FIRE RATINGS
<p>Elevator Interiors are designed to accommodate most standard vent configurations. Unusual or non-standard ventilation requirements should be brought to our attention and detailed in the approval drawings to ensure compliance once material is installed.</p>	<p>Backer materials and all Stainless Steel, Fused Metal and Elemental Metal are generally considered to be Class A/I fire-rated for smoke development and flame spread.</p>

**CODE COMPLIANCES**

LEVELe wall panels, bases, handrails, crash rails, and ceilings comply with the following codes and guidelines:	
ASME A17.1-2010: Safety Code for Car Enclosures, Car Doors and Gates, and Car Illumination - Section 2.14	
2.14.1.2	Securing of Enclosures
2.14.1.5	Top Emergency Exits
2.14.1.8	Glass in Elevator Cars
2.14.2.1	Material for Car Enclosures, Enclosure Linings, and Floor Coverings
2.14.2.3	Ventilation
2.14.2.4	Headroom in Elevator Cars
2.14.7.4	Protection of Light Bulbs and Tubes
2001 California Building Code, Chapter 30	
3003.4.7	Car Inside*
3003.4.12	Handrails
Americans with Disabilities Act Accessibility Guidelines (ADAAG)	
4.10.9	Floor Plan of Elevator Cars*
*Complies when installed in most common sizes of passenger cabs and service cabs. Purchasing party is responsible for ensuring that finished installation maintains minimum floor dimensions required by ADA guidelines and applicable local codes.	



**DELIVERY & INSTALLATION**

DELIVERY	ELEVATOR INTERIOR INSTALLATION	PANEL REPLACEMENT
Wall panels, bases, reveals, handrails and crash rails (if applicable) for each individual cab arrive in a single crate, unless glass panels are required. Glass or LightPlane Panels will be packaged separately in A-frame crates, making it easy to organize materials on site. Ceilings, if specified, are also crated separately. All crates arrive with components neatly organized and includes all the necessary fasteners, adhesives and installation instructions.	Designed to be quick and efficient, LEVELe installation starts with affixing the vertical reveals, then the horizontal Base Cleat Extrusions. These horizontal extrusions set the alignment for the wall panels. Panel frames engage with the horizontal extrusion and are installed with integral mounting clips that interlock for fast and easy installation.	If wall panels are ever damaged due to accident or vandalism, replacement panels can be ordered from Forms+Surfaces.

**RELATED PRODUCTS**

LIGHTPLANE PANELS	LEVELe WALL CLADDING SYSTEM	LEVELe COLUMN SYSTEM
LightPlane Panels are engineered LED edge-lit panels that are a standard offering in our LEVELe Elevator Interiors - allowing you to seamlessly illuminate walls and more. LightPlane Panels have the same visible profile as Capture panels and are available exclusively with a wide range of our VividGlass and CastGlass Levels glass products. Please refer to the LightPlane Product Data Sheet for pattern options and additional information.	The LEVELe Wall Cladding System incorporates the same panel types and materials and finishes as those offered for LEVELe Elevator Interiors. Please refer to the LEVELe Wall Cladding System Product Data Sheet for additional information.	The LEVELe Column System incorporates the same panel types and materials and finishes as those offered for LEVELe Elevator Interiors. Please refer to the LEVELe Column System Product Data Sheet for additional information.
DOORS	ELEVATOR DOOR SKINS	ARCHITECTURAL ACCENTS
Forms+Surfaces manufactures a full range of entrance doors and door pulls in materials and finishes that complement those offered for LEVELe Walls, Columns, and Elevator Interiors. Please refer to individual Door and Door Pull Product Data Sheets for additional information.	Forms+Surfaces Elevator Door Skins are available in many of the same materials and finishes as those offered for LEVELe Walls, Columns, and Elevator Interiors. Please refer to our Elevator Doors Product Data Sheets for additional information.	Coordinating sheet goods are available for headers, jams, returns, transoms and other architectural features. Our litter & recycling receptacles, site furnishings, and other amenities are also available in many of the materials and finishes offered for LEVELe Walls, Columns, and Elevator Interiors.

**CUSTOM ELEVATOR INTERIORS**

If your design requirements go beyond the standard LEVELe configuration, material and finish offerings, customized versions are available for an additional charge. Please call us to discuss your needs.

**LEAD TIME**

Standard lead times are approximately 6-8 weeks, however, lead times can vary depending on the specifics of the products involved, the scope of supply and scheduling capacity at time of order approval. Please contact us to discuss your specific timing requirements.

**TECHNICAL SUPPORT & PROJECT MANAGEMENT**

Because each project is unique, our knowledgeable support team is ready to help. Our technical sales, engineering, sustainability, and project management professionals regularly assist our clients worldwide. Please contact us at 800.451.0410 or sales@forms-surfaces.com to discuss your project.

**HOW TO SPECIFY**

Design Guides are available for each standard LEVELe model to lead you through the specification process in a simple, checkbox format. The Design Guide captures all the information needed to generate a quote: dimensions, finishes, handrail selections and other options. CSI specifications are also available on our website.