

### Features

- Low profile design with easy clean water resistant casing.
- Large, easy to read LCD display displays time and temperature.
- Raised one touch buttons for simple and intuitive system control.
- Provides independent control of up to three outlets.
- Suitable for multi-outlet shower or bath/shower applications.
- Second interface can be added to each system for alternate locations and applications.
- Adjustable default and high limit temperature settings.
- System warm-up and pause feature.
- Duration/countdown timer feature.

### Material

- Premium material construction for durability and reliability.

### Installation

- Surface-mount.

### Required Products/Accessories

- K-557-K Digital Three-Port Thermostatic Valve
- K-559 interface mounting bracket

### Recommended Products/Accessories

- K-23723 Faucet cleaner



ADA

### Codes/Standards





UL 1951  
CSA C22.2 No. 14  
CSA C22.2 No. 68  
ADA  
ICC/ANSI A117.1

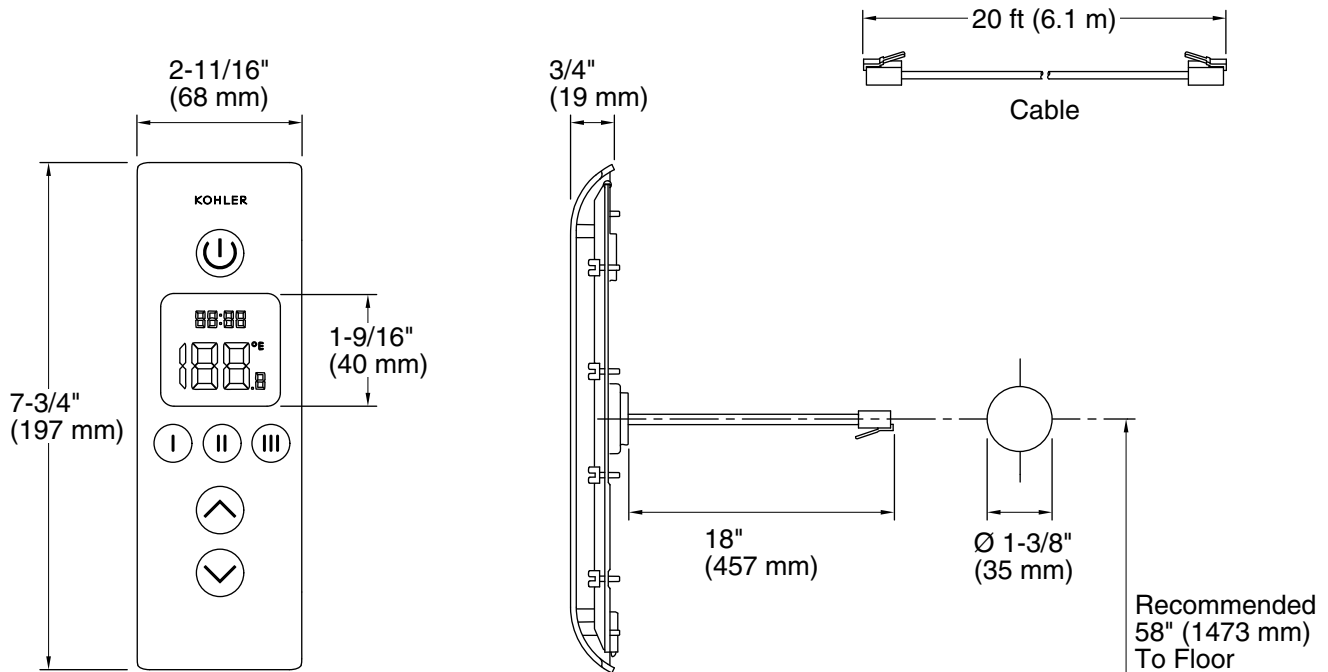
### KOHLER® Electronic Faucets, Valves, and Controls Five-Year Limited Warranty

See website for detailed warranty information.

### Available Colors/Finishes

*Color tiles intended for reference only.*

Color	Code	Description
	1CP	Satin Chrome with Polished Chrome
	1SN	Satin Nickel with Polished Nickel
	0	White
	7	Black Black™



### Technical Information

All product dimensions are nominal.

Max. Ambient temp: 125°F (51.7°C)

### Notes

Install this product according to the installation guide.

ADA compliant when installed to the specific requirements of these regulations.