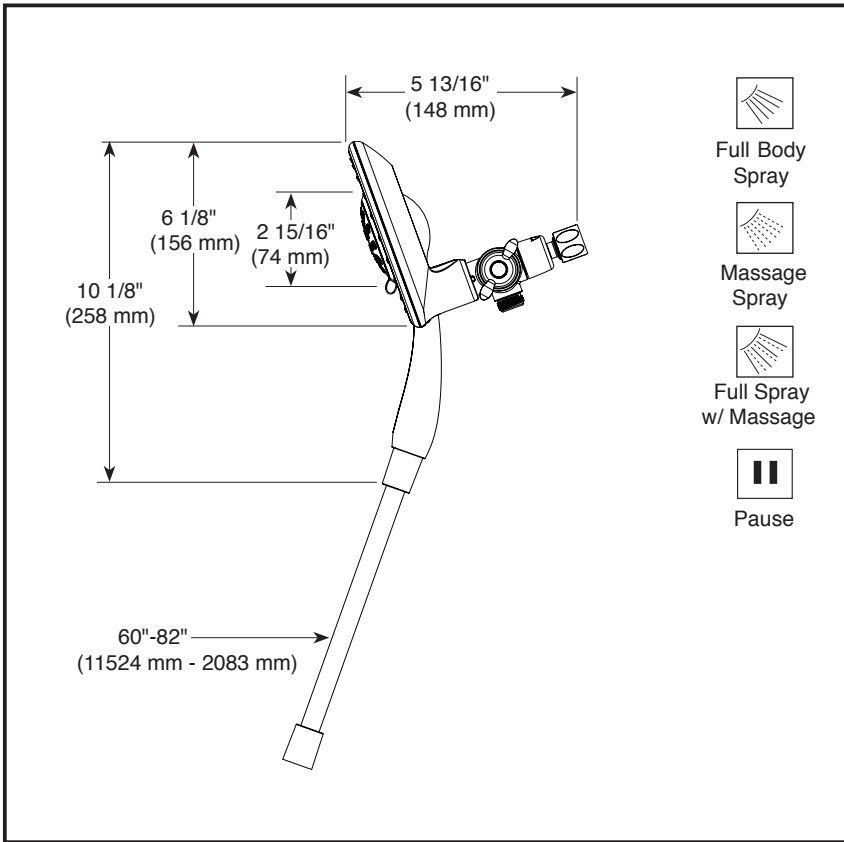


Submitted Model No.: _____

Specific Features: _____



▲ Designate proper finish suffix



see what Delta can do™

IN2ITION®

- 2-In-1 Shower
- 4-Spray Setting Hand Shower

FEATURES:

- Touch-Clean® Nozzles

STANDARD SPECIFICATIONS

- Maximum 1.75 gpm @ 80 psi, 6.6 L/min @ 550 kPa
- Hand held shower with four spray settings - pause is a non-positive shut-off
- 60"-82" (1524 mm - 2083 mm) stretchable metal hose
- Easy-turn dial to change hand shower sprays
- 6" fixed shower head with extra-wide spray
- Adjustable shower arm mounting for hands-free showering
- Diverter allows for single or shared operation of shower head and hand shower

WARRANTY

- Parts and Finish - Lifetime limited warranty; or for commercial purchasers, 10 years for multi-family residential (apartments and condominiums) and 5 years for all other commercial uses, in each case from the date of purchase.
- Electronic Parts and Batteries (if applicable) - 5 years from the date of purchase; or for commercial purchasers, 1 year from the date of purchase. No warranty is provided on batteries.



COMPLIES WITH:

- ASME A112.18.1 / CSA B125.1
- EPA WaterSense®

Delta reserves the right (1) to make changes in specifications and materials, and (2) to change or discontinue models, both without notice or obligation. Dimensions are for reference only. See current full-line price book or www.deltafaucet.com for finish options and product availability.

Delta Faucet Company

55 E. 111th Street, Indianapolis, IN 46280
 350 South Edgeware Road, St. Thomas, ON N5P 4L1
 © 2019 Delta Faucet Company