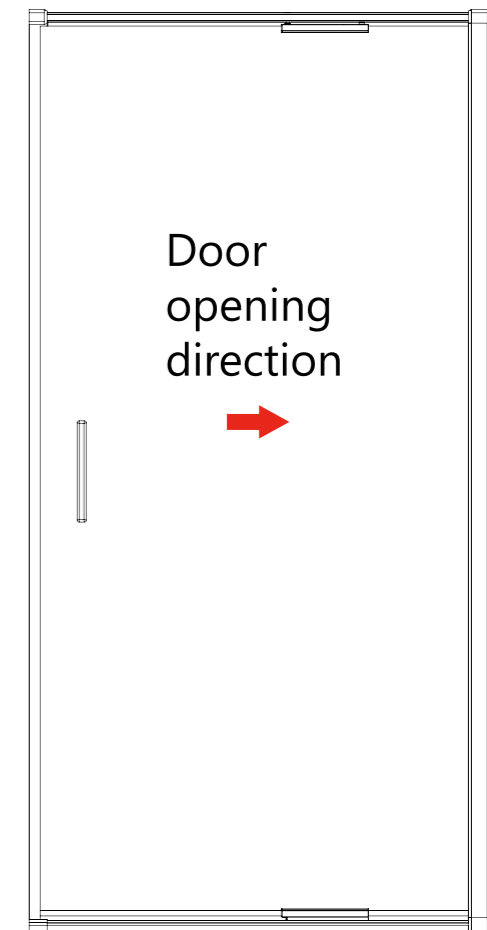


# Installation Guide

## Infold door

Left hand

Right hand



<b>CE</b>	
Merlyn Industries LTD (MER 11)	
DOP:CE8SP1.0	
18	
<b>EN 14428</b>	
Shower enclosures with aluminium profiles and safety glass	
Cleanability	:Pass
Impact resistance/ shatter properties	:Pass
Durability	:Pass

To download the Declaration of Performance (DOP) for this product please use the link below.

<https://merlynshowering.com/aftersales-support/dop-certs/>

For further information please contact: IRL:0567791555 UK:08081011429

**IMPORTANT:**  
**Please read the complete instructions  
before commencing fitting.**

Make sure the tray is 100% level in all directions.  
Do Not attempt to install the product unless you  
can tick all 4 boxes satisfactorily.

- **Check that you have the tools required**
- **Check the installation site is compatible with  
the sizes of door supplied**
- **Check all the enclosure components are present**
- **Check the installation kit is complete**

The wall plugs supplied with the installation kit are  
for use in solid walls. Hollow or 'stud partition'  
walls will require alternative fixings. Please consult  
a hardware supplier for the correct type.  
It may also be necessary to consult your tiling  
supplier about the correct method for drilling your  
tiles.

**ATTENTION: TAKE EXTREME CARE WHEN  
HANDLING GLASS, WEAR PROTECTIVE EYEWEAR  
AND CLOTHING. DO NOT LEAVE THE GLASS ON  
HARD SURFACES AND AVOID CONTACT BETWEEN  
THE GLASS EDGES AND HARD SURFACES OR  
IMPACTS DURING THE INSTALLATION.**

## CLEANING

It is important to clean your Merlyn shower door after every use. Wipe down all the glass and metal parts with a soft cloth. Do not allow lime scale to build up in hard water areas. Ensure that any residual water on the glass is removed after every use.

- Clean the glass regularly using soapy water.
- Do not use abrasive products on any surfaces.

Chrome is vulnerable to acid attack and some strong household cleaners including strong disinfectants, denture cleaners, hair dyes, wine making chemicals and photographic chemicals may contain acid. These materials may have a varying effect on the surface from black spots/streaks (which cannot be removed) to pitting the surface. Contact with these materials should be avoided.

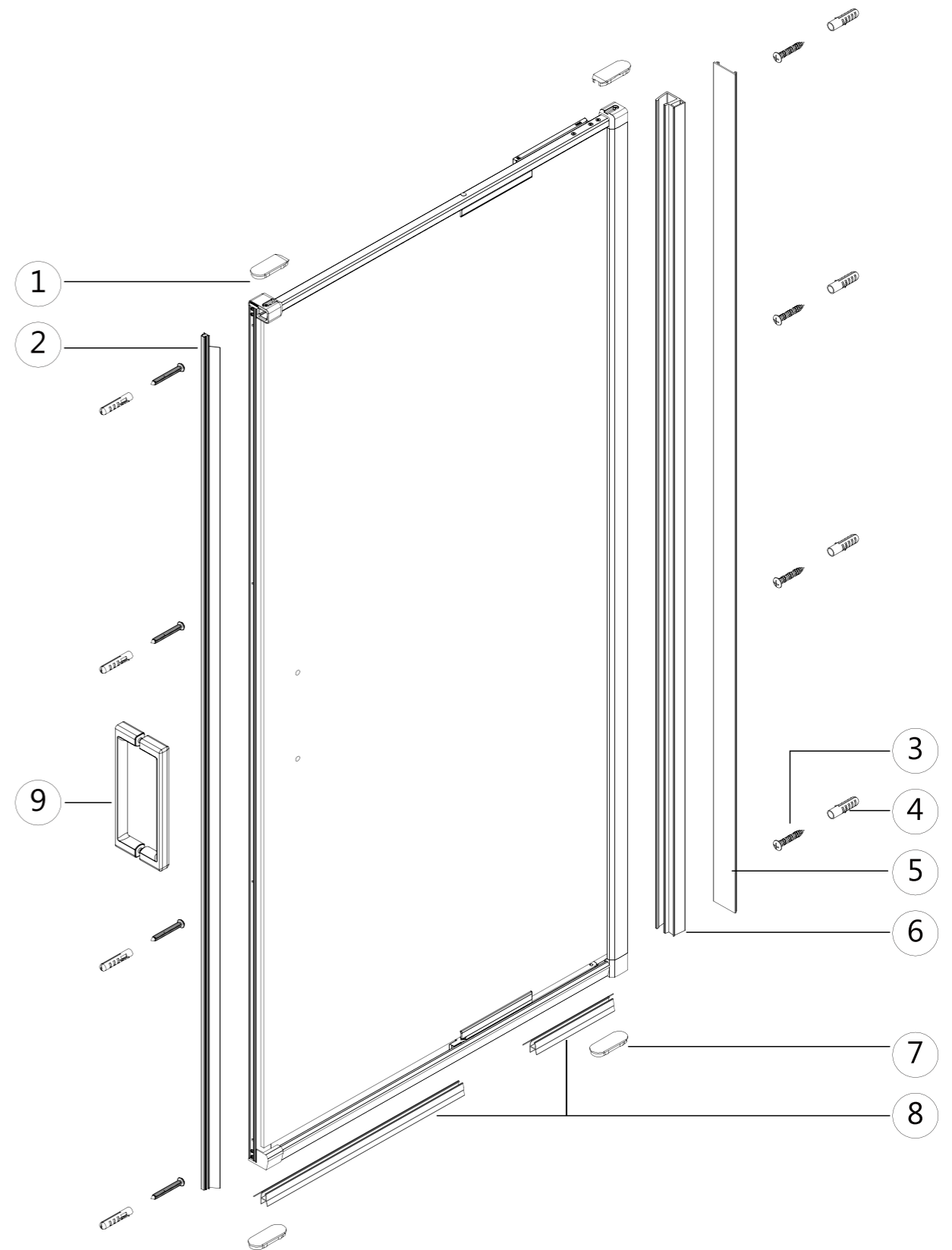
## TROUBLE SHOOTING

### Door Not functioning properly

1. Is the tray 100% level? ( see step1)
2. Do the finished tile measurements on top middle and bottom fall within the adjustment X listed on step 2.
3. Are the wall profiles stepped in the minimum distance from the edge of the tray as setout in step 3 and the holes marked using the template profile.
4. Is the gap between the bottom of the moving panel and the bottom profile equal at each end ? (See step 10)
5. Is the top rail loose ? Check the bolts on all four corners are securely fastened. (Step 11)
6. Have the walls been checked at different levels to ensure consistency? Bumps or hollows in the wall may push the frame out of alignment.

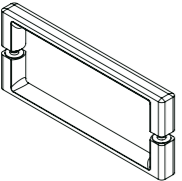
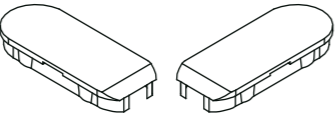
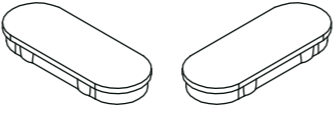
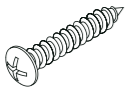
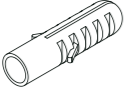

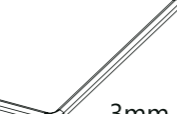
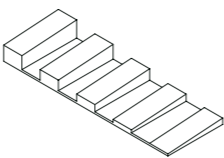
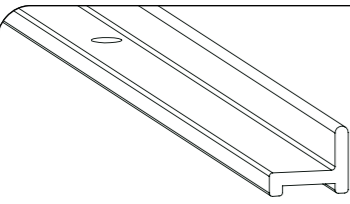
### Door Leaking

1. Gaps between the closing post seal and the glass ? Loosen the wall screws in steps 7 & 8, these holes are slotted and the frame can be adjusted side to side to align the glass and seal.
2. Is the upright seal fitted correctly? (see step 12)
3. Check the bottom seals are fitted correctly with the larger angled fin to the inside. (step 13 & 14)
4. Check the notches in both bottom seals is correct and that the seals are not fouling against the frame or the closing post seal. (step 13 & 14)
5. Is the door sealed correctly ? (see step 17)

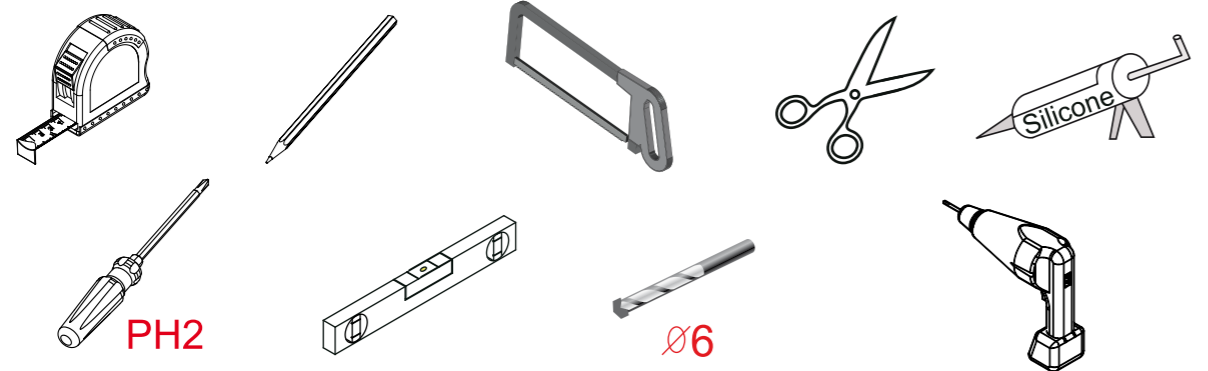


No.	QTY	Descriptions	Code	No.	QTY	Descriptions	Code
1	2	Top bracket cover cap	SP08HWSI54	7	2	Bottom bracket cover cap	SP08HWSI57
2	1	Closing seal	SP08SESH02L/R	8	1	Bottom seal set	A
3	8	M4x40 screw	SP0A8M4X40PAN	9	1	Handle	SP08HD090A
4	8	6mm wall plug	A03S0090				
5	1	Cover strip	SP0ALSH75				
6	1	Magnet seal	SP0A8NFMAG				

# Fixing Kit Components

 SP08HD090A X1	 SP08HWSI54 X2	 SP08HWSI57 X2
 SPOA8M4X40PAN x8	 A03S0090 x8	 SPOGMS0852 X1
 SPOGMS0851 X1	 A06S0062 X2	
 SP08ALLP07 x1		

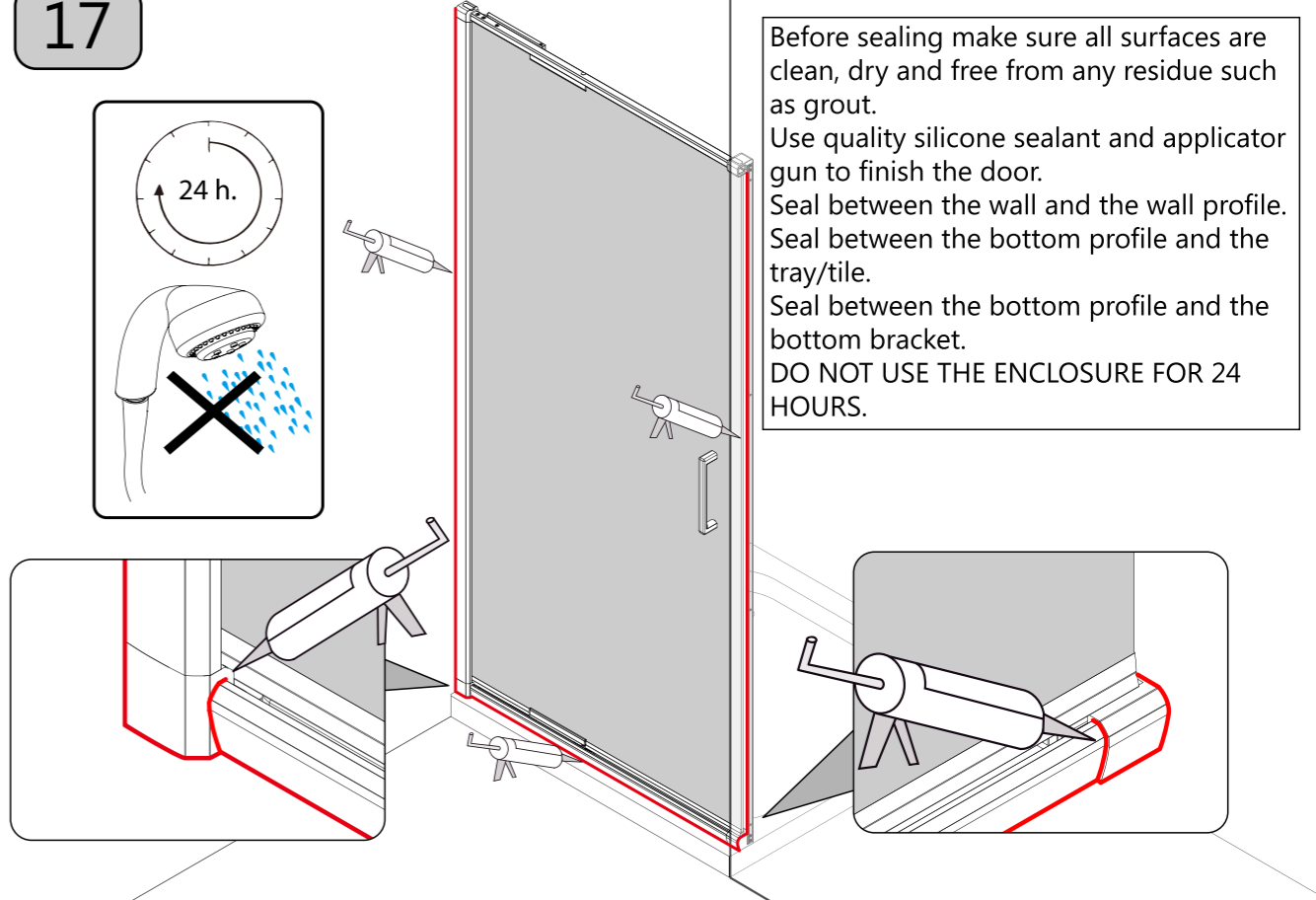
# Tools required



PH2

Ø6

17

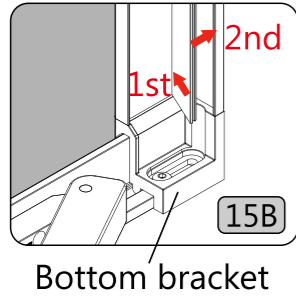
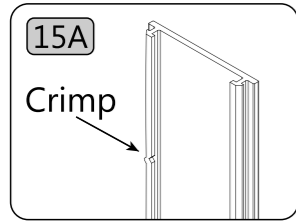


24 h.

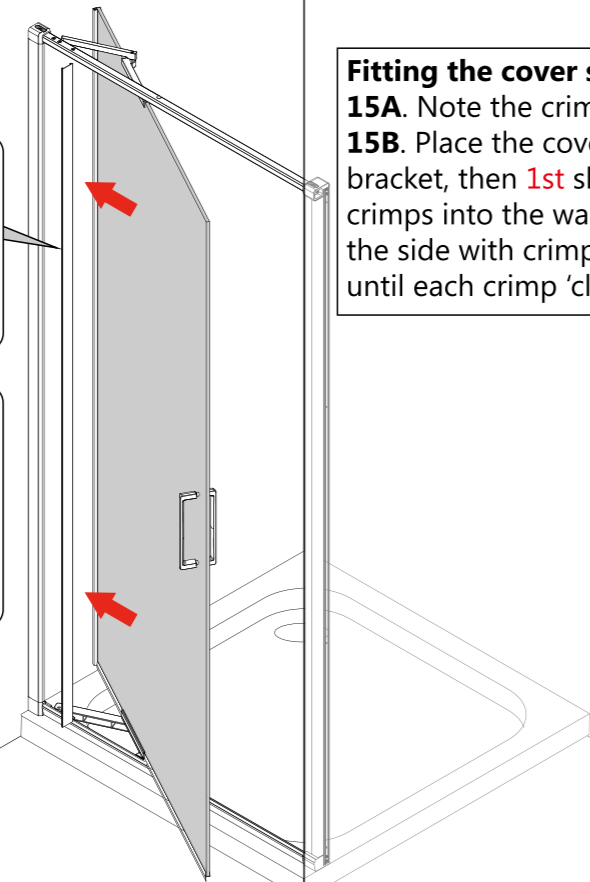
DO NOT USE THE ENCLOSURE FOR 24 HOURS.

Before sealing make sure all surfaces are clean, dry and free from any residue such as grout.  
Use quality silicone sealant and applicator gun to finish the door.  
Seal between the wall and the wall profile.  
Seal between the bottom profile and the tray/tile.  
Seal between the bottom profile and the bottom bracket.

15



**Fitting the cover strip.**  
**15A.** Note the crimped side of the profile.  
**15B.** Place the cover strip on the bottom bracket, then **1st** slide the side with no crimps into the wall profile, **2nd** push the side with crimps into the profile until each crimp 'click's' into place.

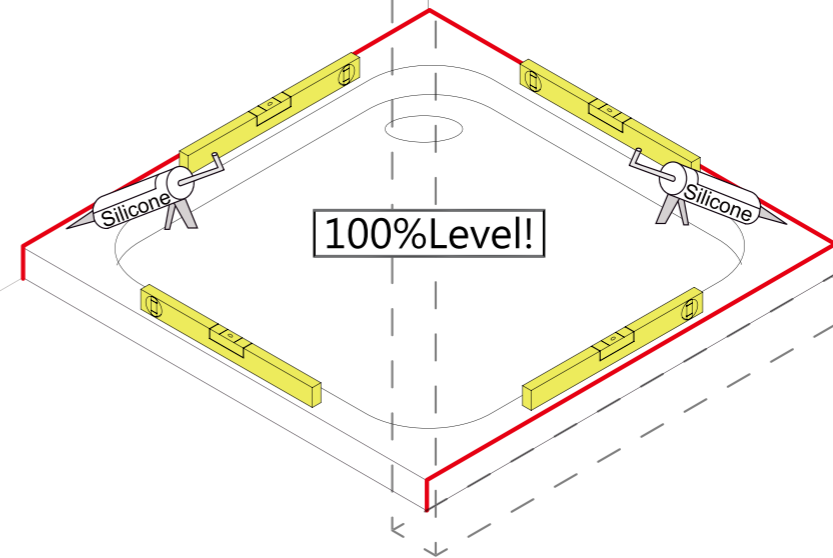
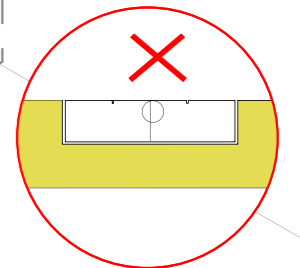
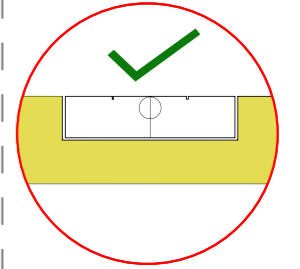


1

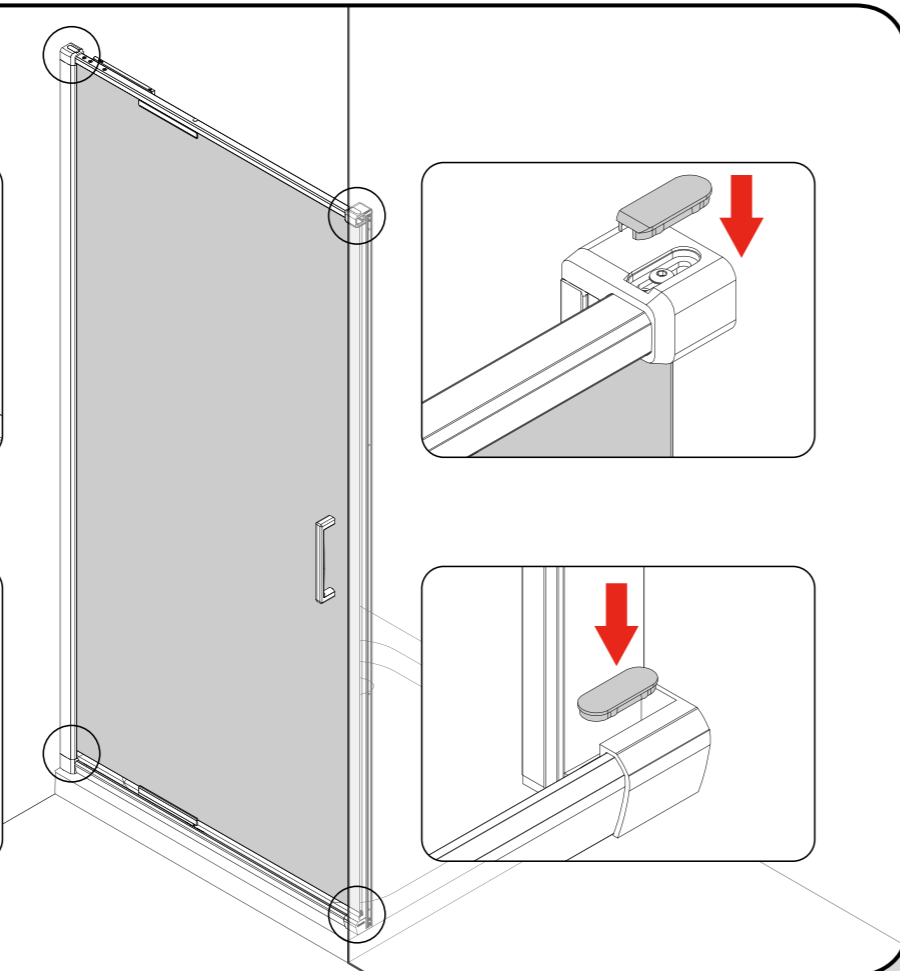
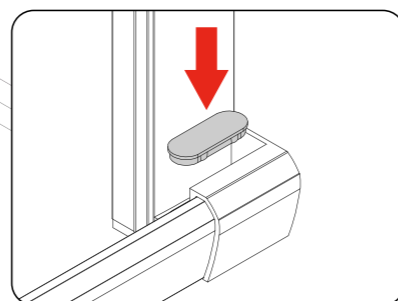
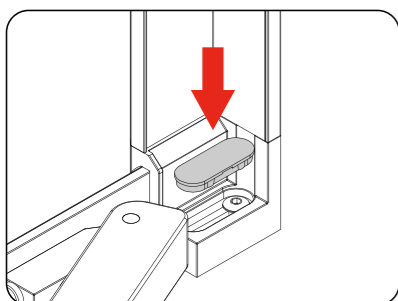
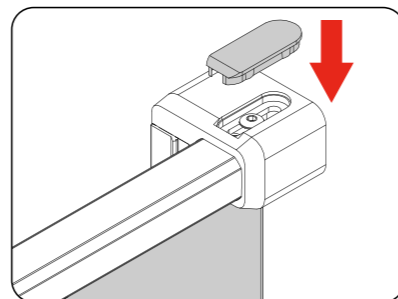
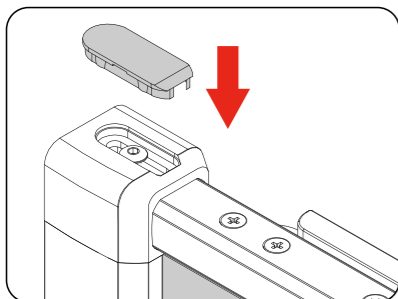
Ensure the shower tray is level in all directions and is properly sealed to the wall. The wall must be tiled down to the top edge of the tray.

Do not angle out bottom tile.  
**TRAY MUST BE LEVEL IN ALL DIRECTIONS!**

**TRAY MUST BE SEALED FULLY AROUND WHERE THE TRAY MEETS THE WALL.**

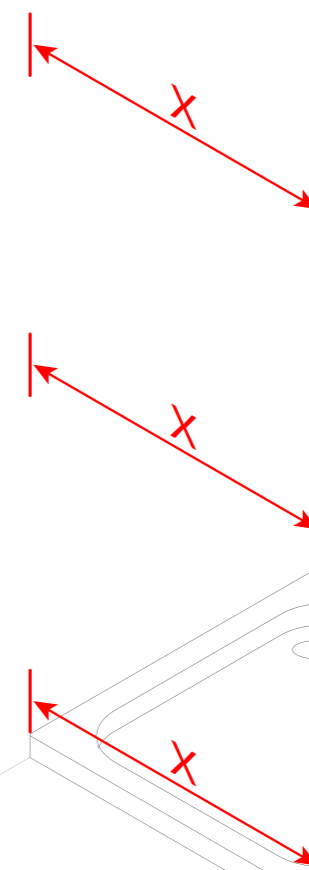


16



2

Check that the finished tiled area at top, middle and bottom is within the range of adjustment.



Size	X
700	650-690
760	710-750
800	750-790
900	850-890
1000	950-990

**3**

Use the template profile to mark the holes for fixing each side of the frame to the wall.  
Using the measurements 53mm on handle side and 29mm on the pivot side the finished installation will be stepped in 10mm from the front edge of the tray.

29mm  
Pivot side

53mm  
Handle side

NOTE: Left hand configuration shown throughout this installation guide

**13**

The long bottom seal is notched on one end to suit Max. adjustment and may need to be notched further.  
**To increase the notch**  
**13A.** Fit the long seal keeping the notched end to the edge of the glass. From inside the enclosure close the door and mark the seal where it meets the fin on the upright seal.  
**13B.** Cut the inside fins as shown to extend the notch.  
**13C.** Add a dab of silicone to the end of the seal and fit to the glass.

13A  
Inside

13B

13C  
Inside

**4**

4A

6

4B

**14**

The short bottom seal is also notched on one end to suit Max. adjustment and may need to be notched further.  
**To increase the notch**  
**14A.** Fit the short seal keeping the notched end to the edge of the glass. From outside close the door and mark the seal where it meets the wall profile.  
**14B.** Cut the outside fin as shown to extend the notch.  
**14C.** The seal should be tight to the bracket and the upright seal.

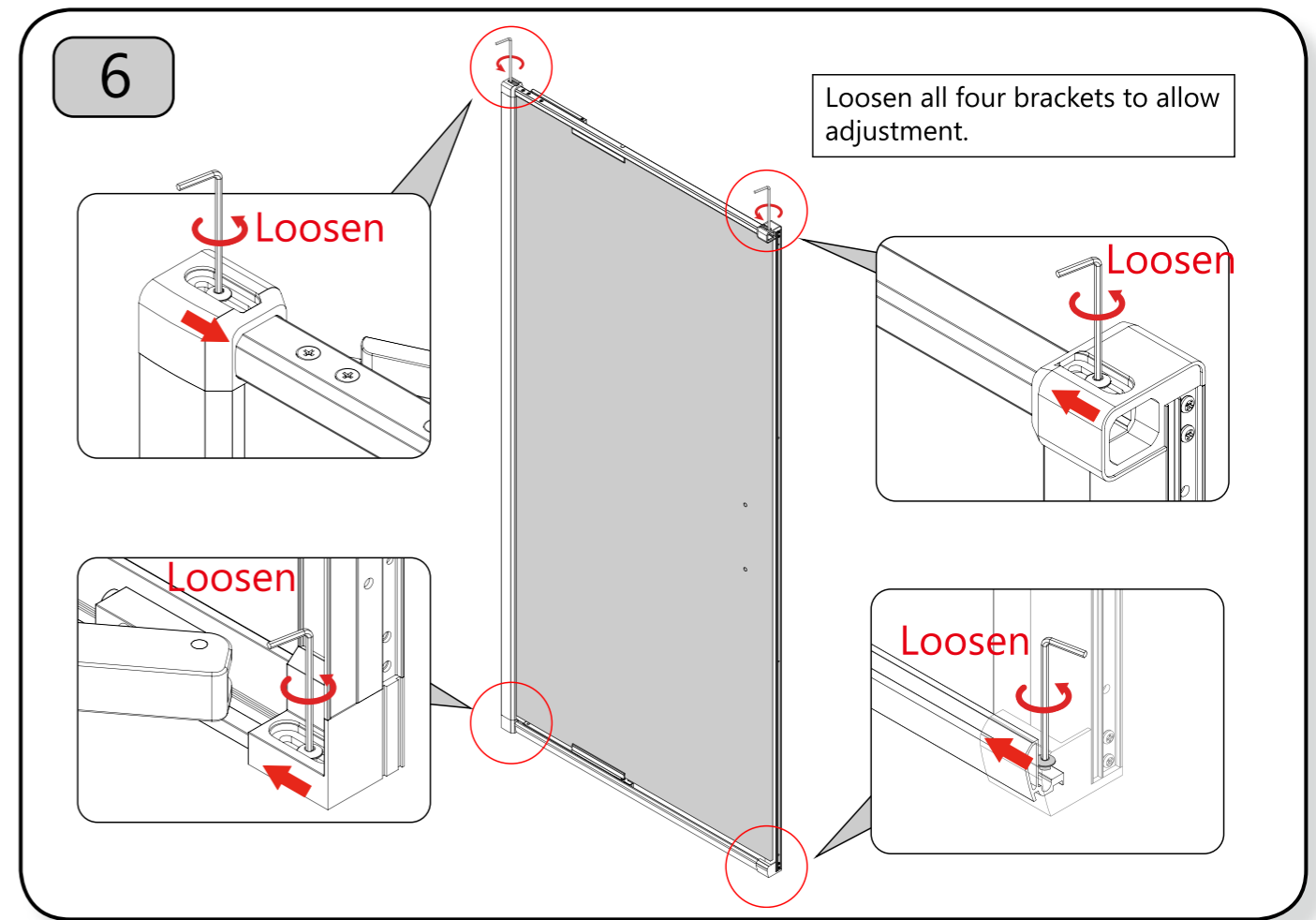
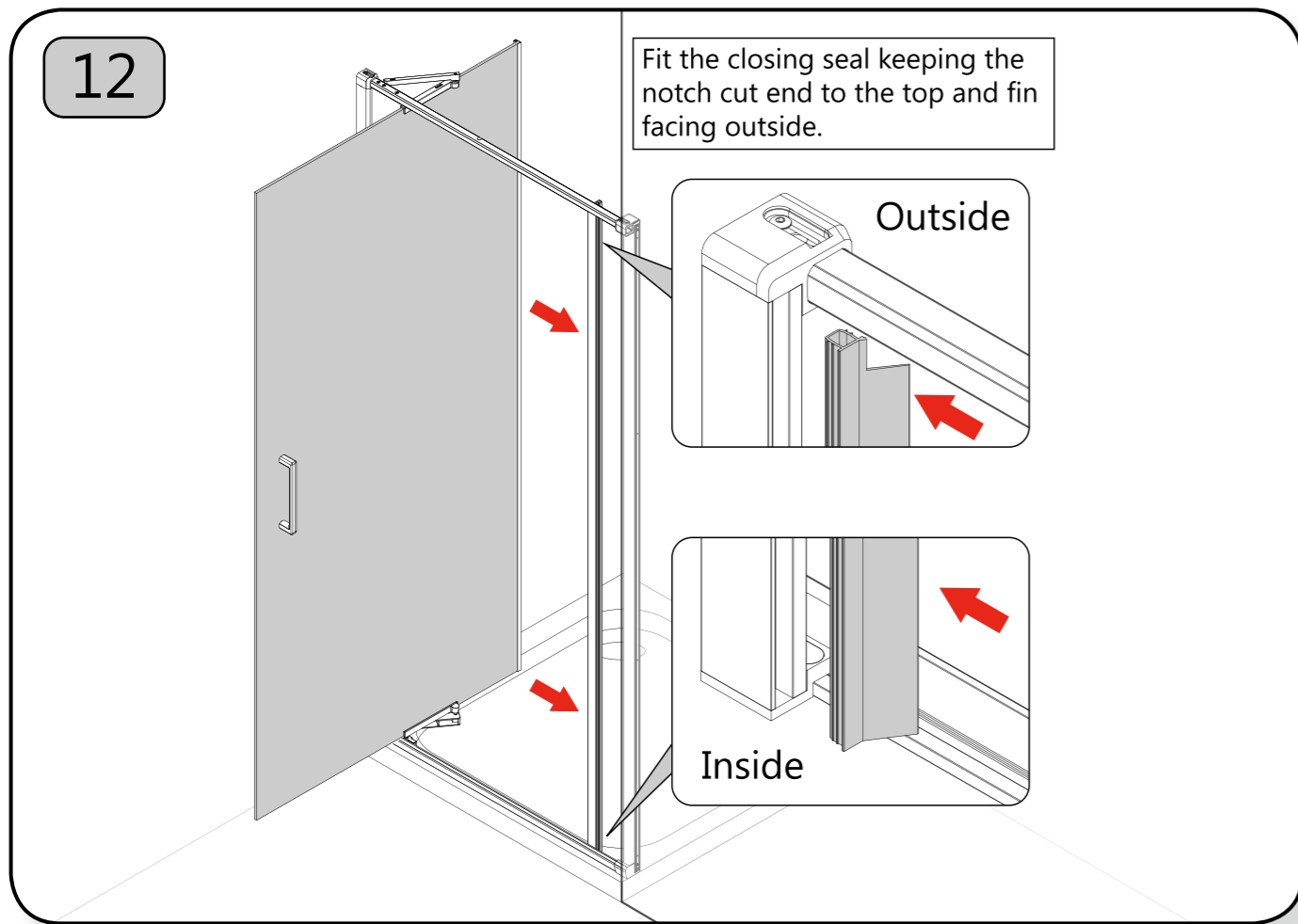
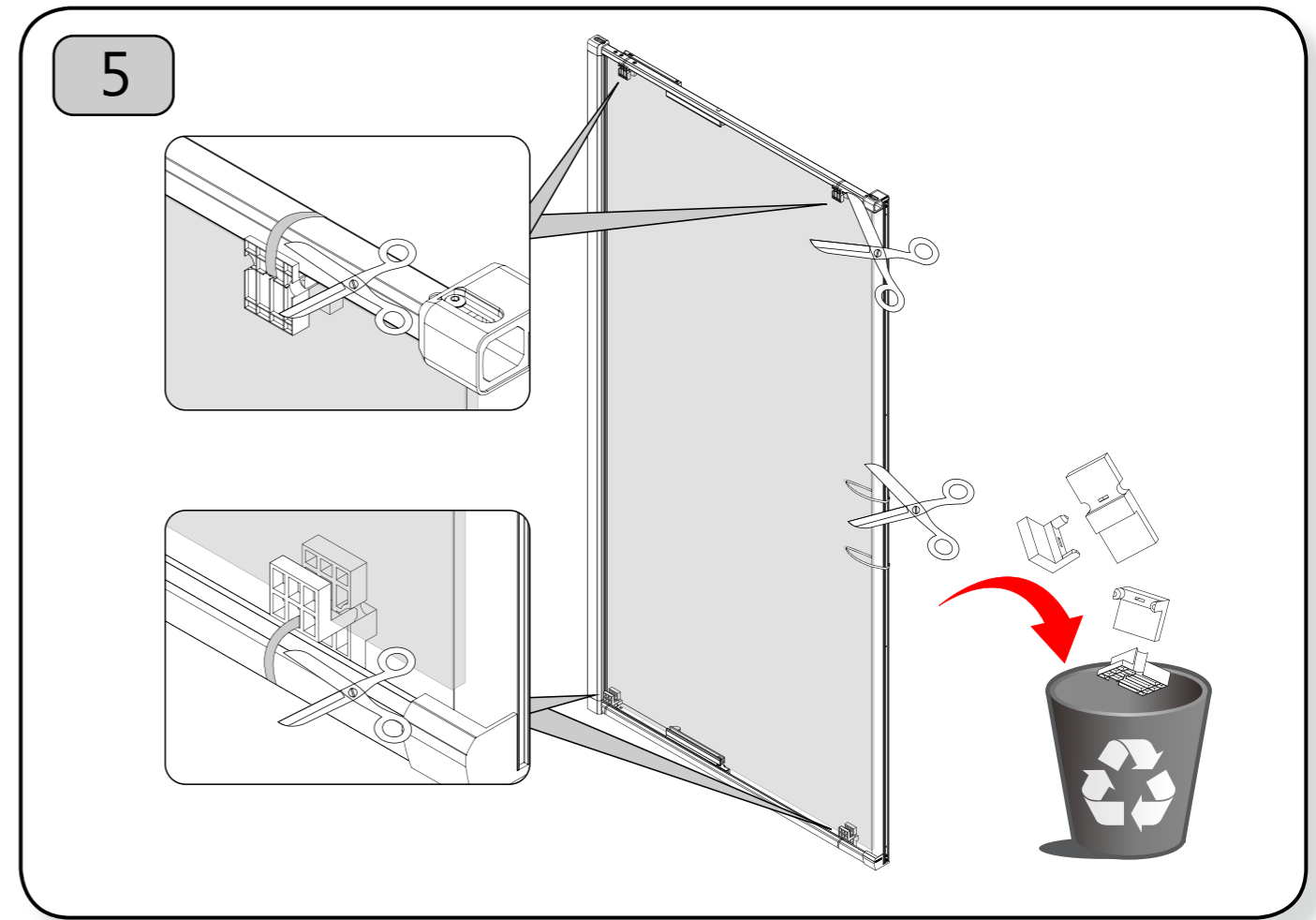
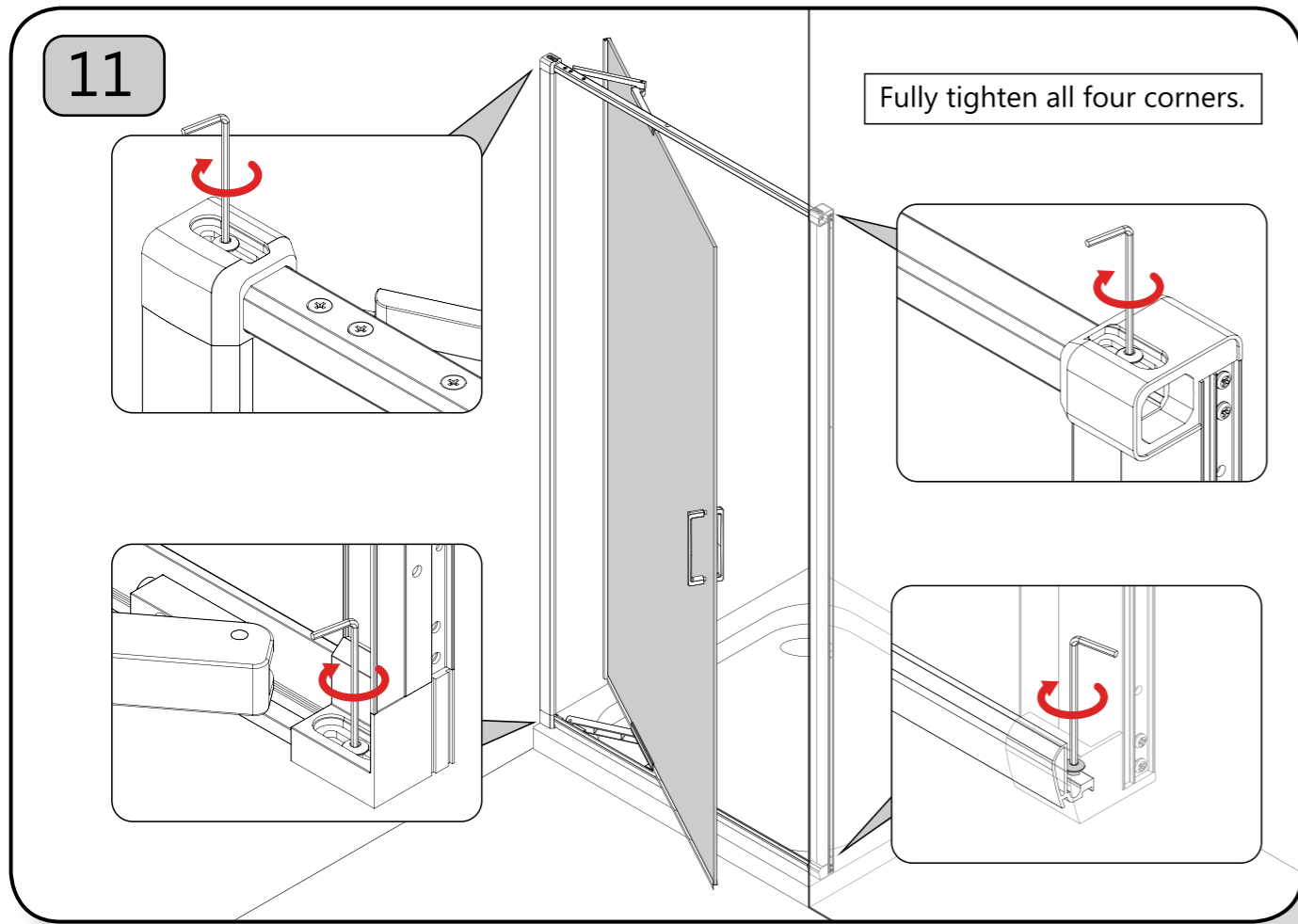
14A  
Outside

14B

14C  
Inside

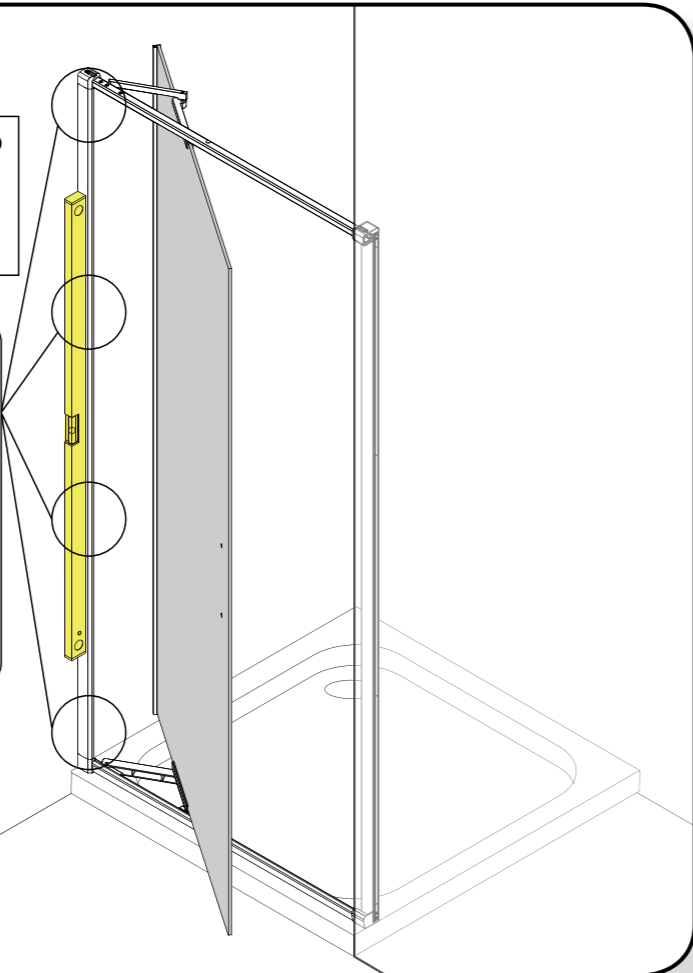
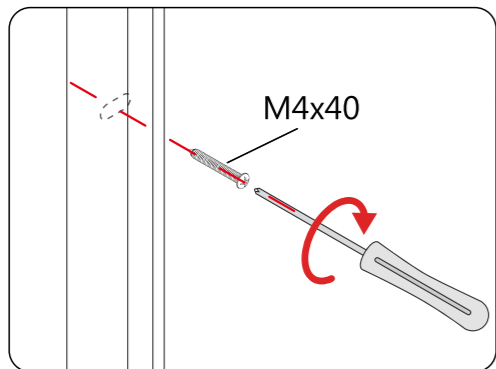
Bracket  
Upright seal



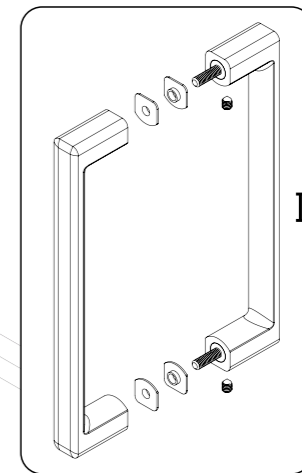
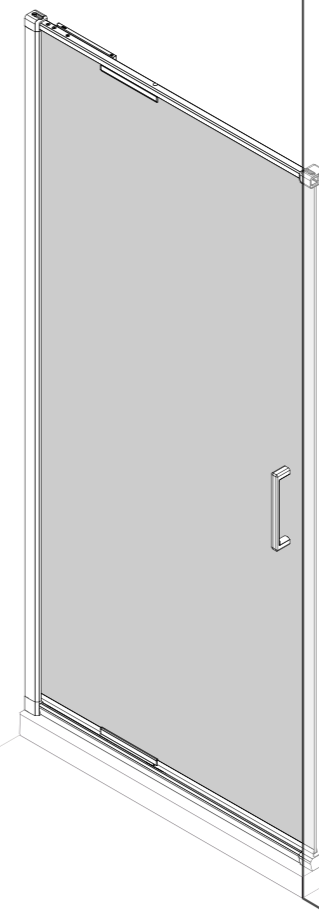


7

Screw the hinged side of the door to the wall making sure the frame is plumb before fully tightening the screws.



9

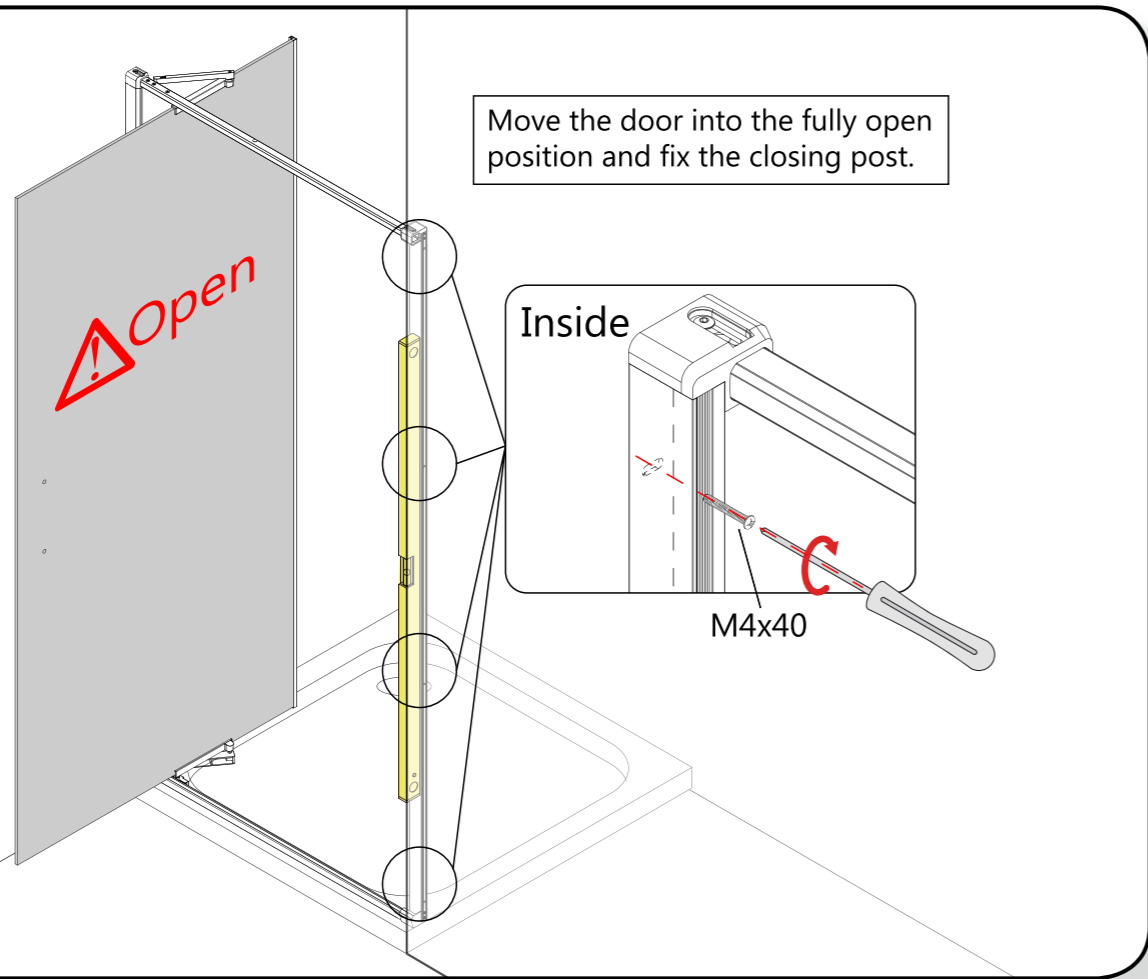
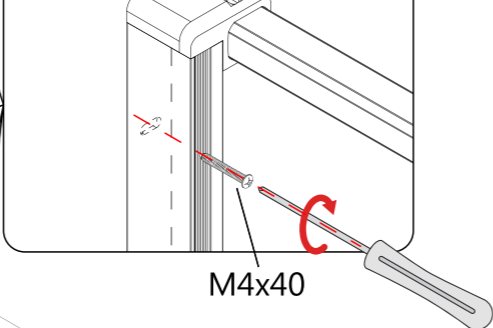


8

Move the door into the fully open position and fix the closing post.

Open

Inside



10

To ensure the gap between the bottom profile and the glass is equal on both sides adjust top and/or bottom rail side to side.

