

TOOBI - Single-lever thermostatic deck-mount bath/shower mixer

Jacob Delafon
PARIS

E9095



Collection: TOOBI

Finish*:



CP - Chrome

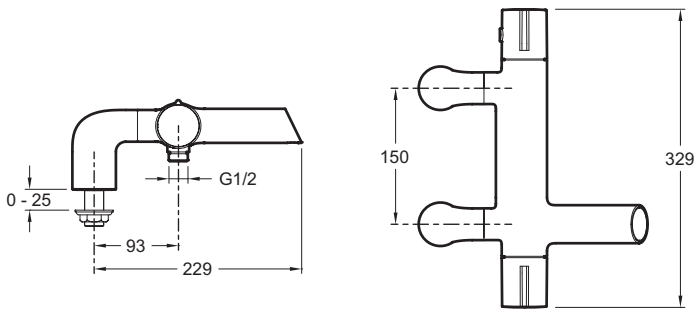
Main features:



Features

- WEIGHT: 3.8 kg
- INSTALLATION TYPE: 2 holes
- TYPE: Single-lever
- CONNECTION: With pillar connectors
- HOLE CONFIGURATION: 150 ± 15
- DIVERTER: Automatic diverter built into flow handle
- MATERIAL: 54
- NORMS AND REGULATION: ACS : 10 ACC LY 102
- FLOW RATE: 20 l/mn
- MECHANISM: Cartouche thermostatique
- SAFETY STOP: 40°C
- MECHANISM GUARANTEE: 5 years

Technical drawing



Product Specification: Single-lever thermostatic deck-mount bath/shower mixer. E9095. Collection: TOOBI. WEIGHT: 3.8 kg. MATERIAL: 54. INSTALLATION TYPE: 2 holes. NORMS AND REGULATION: ACS : 10 ACC LY 102. TYPE: Single-lever. FLOW RATE: 20 l/mn. CONNECTION: With pillar connectors. MECHANISM: Cartouche thermostatique. HOLE CONFIGURATION: 150 ± 15. SAFETY STOP: 40°C. DIVERTER: Automatic diverter built into flow handle. MECHANISM GUARANTEE: 5 years.

*Due to possible variations in computer and printer calibrations, technical factors and certain finish characteristics, the colors you see may not accurately portray the actual colors and are provided as a guide only.