



Name: CLUB-S

Design: Luis Viñas / 2012

Typology: Pendant lamp

Environment: Indoor

**Technical description:**

Pendant lamp with black matte aluminum shade and white, B1 flame resistant PVC interior lining. Upper diffuser is black finished aluminum, and lower diffuser is frosted glass, securely fastened to fixture. Lamp features exposed steel screws. All diffusers are included in fixture. Only the fixture finishing and lamp shade color are customizable.



**Lamps description**

⚡ Earthing: compulsory

⚠ Ready for mounting on normally flammable surface

💡 3 x 52 W Classic A ECO E-27

💡 3 x 14 W E-27

Voltage: 230V~50Hz

📦 1 Box 75 x 75 x 45 cm

Vol.: 0,2531 m³

Weight: 10 kg

Certifications:  

**Ref**

**Finishings**

4132812 matte black-nickel

Black aluminum shade

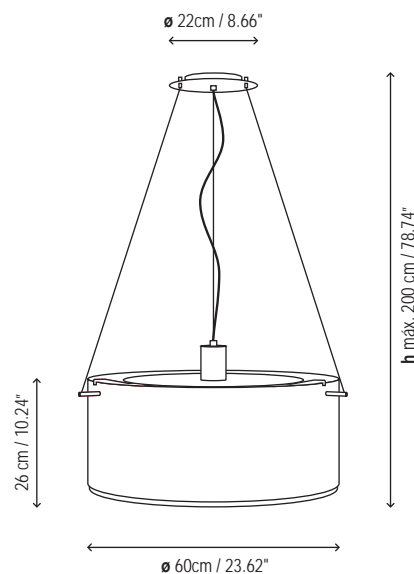
White PVC interior B1 Flame Resistant

Upper aluminum diffuser included

Bottom glass diffuser included

**Customizable**

**Measures**



**Project information**

Project name: \_\_\_\_\_

Approved by: \_\_\_\_\_

Fixture type: \_\_\_\_\_

Date: \_\_\_\_\_

Location: \_\_\_\_\_

Prepared by: \_\_\_\_\_

Comments: \_\_\_\_\_

Prepared for: \_\_\_\_\_

**Photometrics**