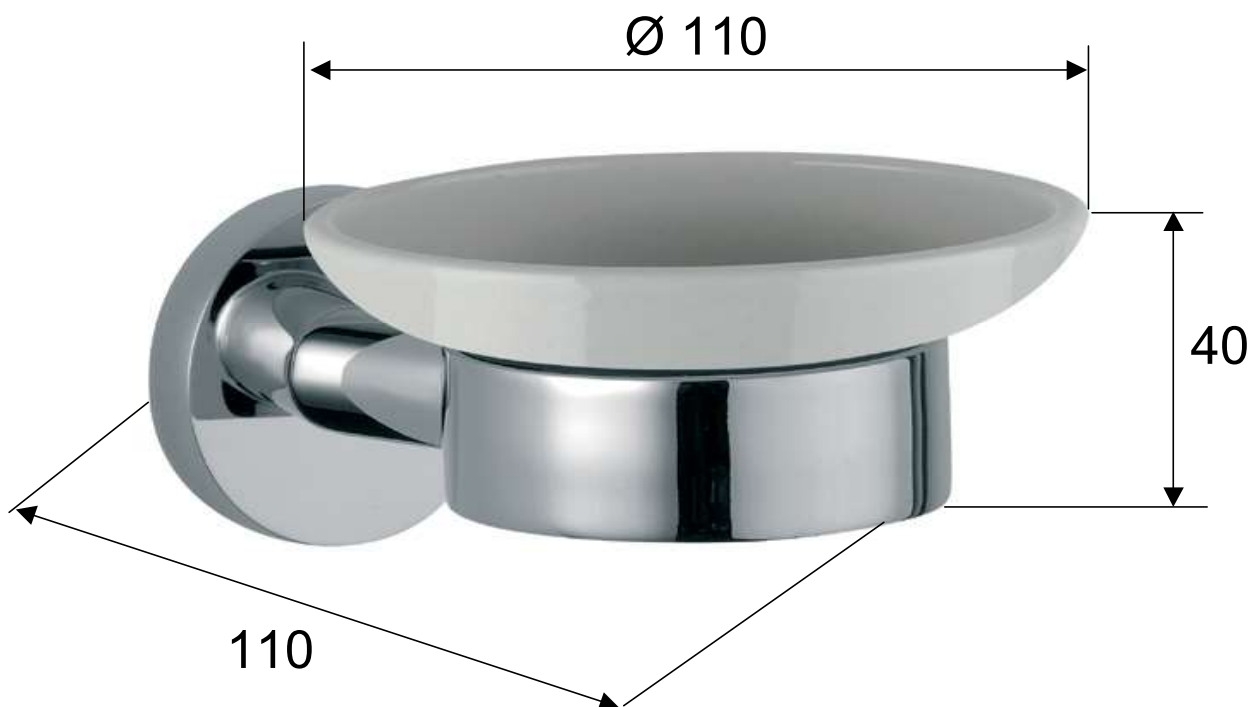


ART. COD.      **HIPS950**



**MATERIALI / MATERIALS**

OTTONE CROMATO / CHROME PLATED BRASS  
CERAMICA / CERAMIC

**CROMATURA / CHROME PLATING**

UNI EN 248