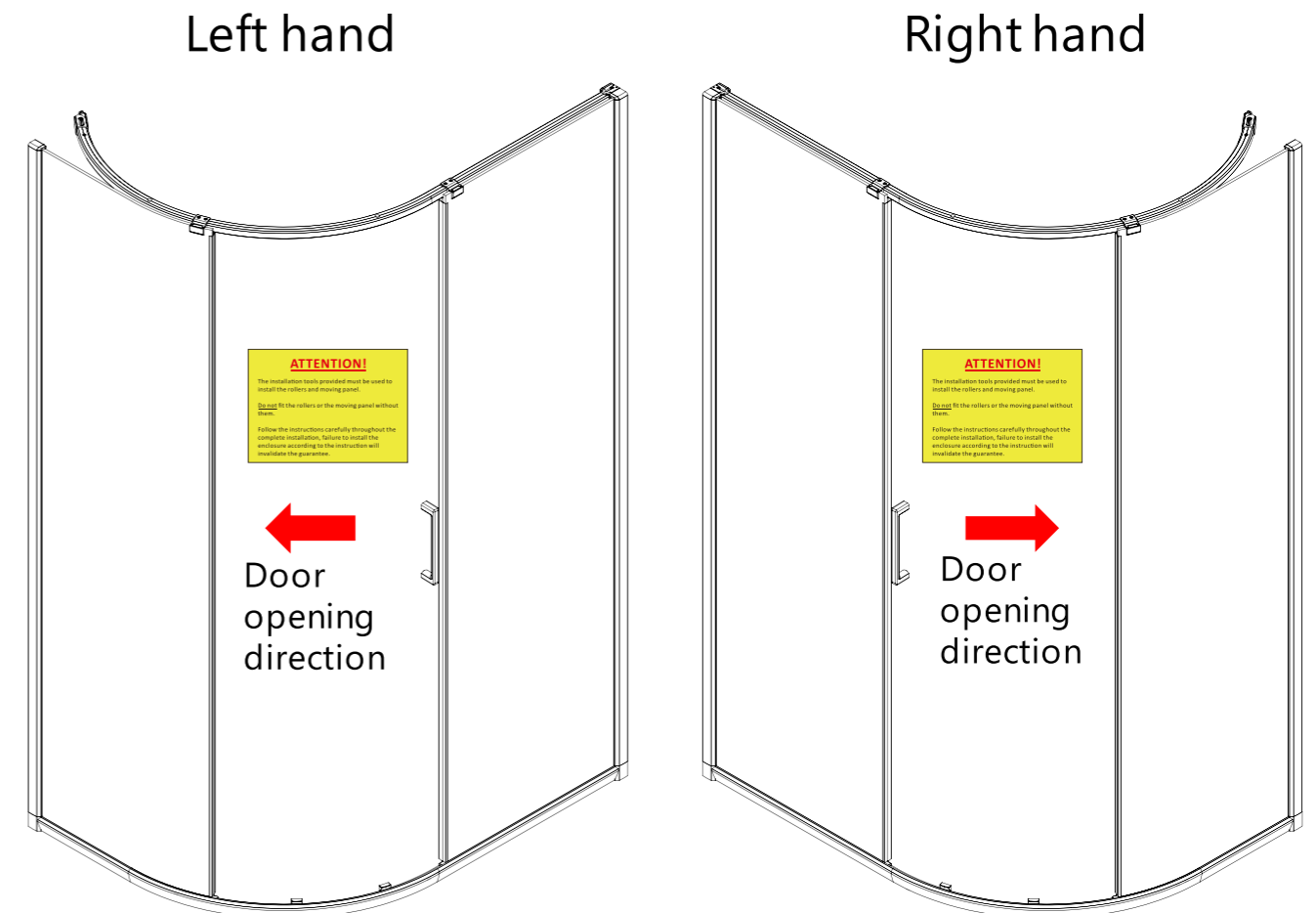


Installation Guide Quadrant Door

CE	
Merlyn Industries LTD (MER 11)	
DOP:CE8SP1.0	
18	
EN 14428	
Shower enclosures with aluminium profiles and safety glass	
Cleanability	:Pass
Impact resistance/ shatter properties	:Pass
Durability	:Pass



To download the Declaration of Performance (DOP) for this product please use the link below.

<https://merlynshowering.com/aftersales-support/dop-certs/>

For further information please contact: IRL:0567791555 UK:08081011429

IMPORTANT:

**Please read the complete instructions
before commencing fitting.**

Make sure the tray is 100% level in all directions.
Do Not attempt to install the product unless you
can tick all 4 boxes satisfactorily.

- Check that you have the tools required
- Check the installation site is compatible with
the sizes of door supplied
- Check all the enclosure components are present
- Check the installation kit is complete

The wall plugs supplied with the installation kit are
for use in solid walls. Hollow or 'stud partition'
walls will require alternative fixings. Please consult
a hardware supplier for the correct type.
It may also be necessary to consult your tiling
supplier about the correct method for drilling
your tiles.

**ATTENTION: TAKE EXTREME CARE WHEN
HANDLING GLASS, WEAR PROTECTIVE EYEWEAR
AND CLOTHING. DO NOT LEAVE THE GLASS ON
HARD SURFACES AND AVOID CONTACT BETWEEN
THE GLASS EDGES AND HARD SURFACES OR
IMPACTS DURING THE INSTALLATION.**

CLEANING

It is important to clean your Merlyn shower door after every use. Wipe down all the glass and metal parts with a soft cloth. Do not allow lime scale to build up in hard water areas. Ensure that any residual water on the glass is removed after every use.

- Clean the glass regularly using soapy water.
- Do not use abrasive products on any surfaces.

Chrome is vulnerable to acid attack and some strong household cleaners including strong disinfectants, denture cleaners, hair dyes, wine making chemicals and photographic chemicals may contain acid. These materials may have a varying effect on the surface from black spots/streaks (which cannot be removed) to pitting the surface. Contact with these materials should be avoided.

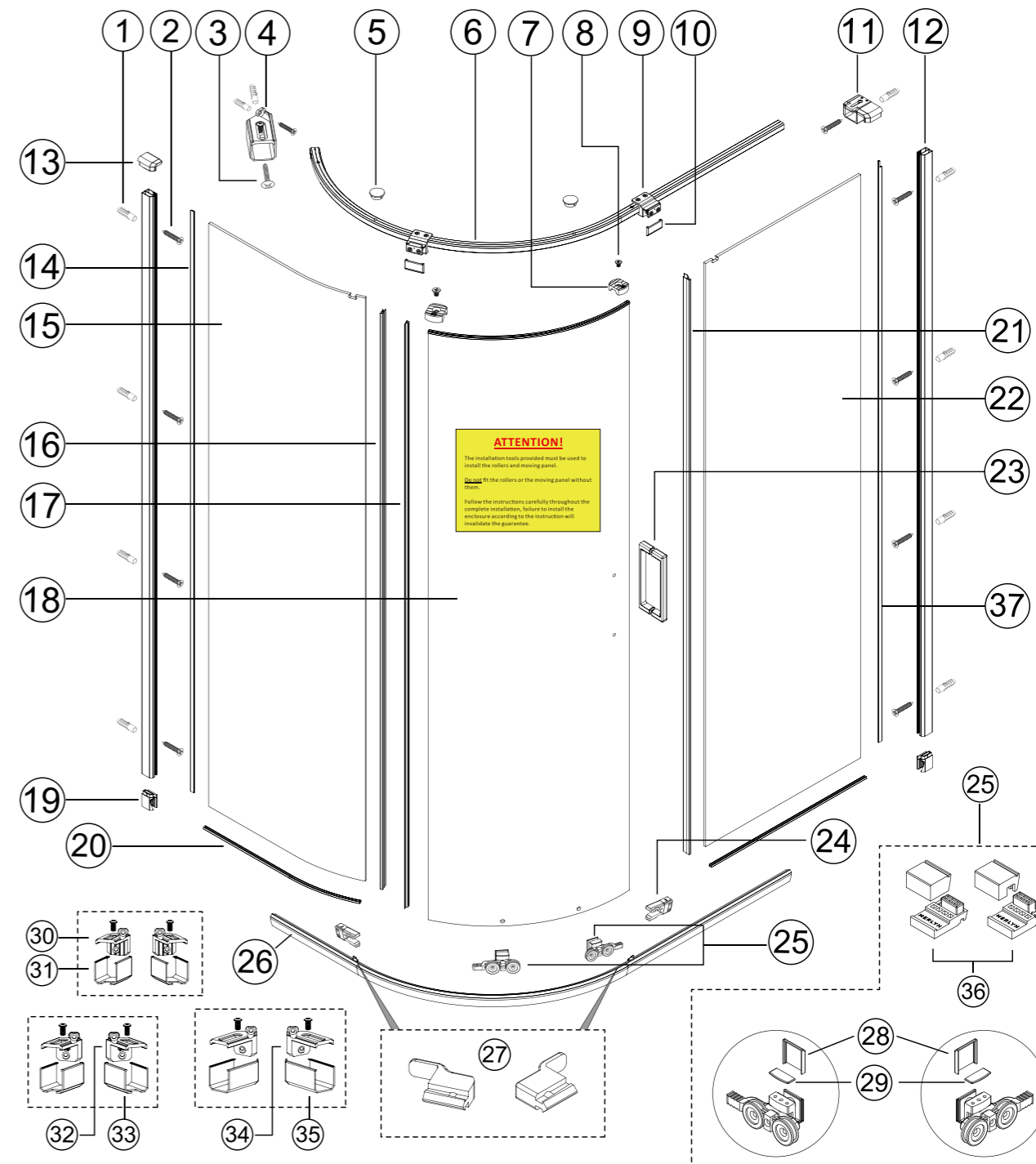
TROUBLE SHOOTING

Door Not functioning properly

1. Is the tray 100% level? (see step1)
2. Are the wall profiles stepped in a Min. 10mm from the edge of the tray? (see step 2)
3. Do the finished tile measurements fall within the adjustment (X & Y) listed on step 2.
4. Have the spacers provided been used to fill any gaps between the bottom track and the tray/floor? The profile must be completely level and supported to ensure the door functions correctly. (see step 5)
5. Are the edges of both fixed panels plumb. Check with a level and adjust if necessary (steps 15, 16, 19 & 20).
6. Has the template been used correctly to mark the position of the top rail wall bracket, was the template level? If not then this could cause the top guides to foul the top rail and damage the guide. (see step 22 & 23)
7. Is the top rail loose? Check the wall bracket fixing plate is properly fastened. (Step 26)
8. Are the screws in the roller housing fully tightened and the rollers seated correctly on the track (steps 27-30)
9. Are the top guides correctly fitted (step 32).
10. Door unstable when hitting the bump stops? Is the bottom stop in the correct position (step 35-36)
11. Is the correct spacer used in the soft close block? (see step 38)
12. Have the walls been checked at different levels to ensure consistency? Bumps or hollows in the wall may push the frame out of alignment.

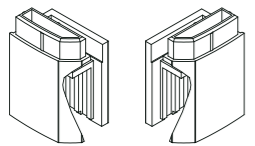
Door Leaking

1. Has the wall profile bottom bracket had a bead of silicone applied and been pushed on fully? Check for any gaps! (see step 9)
2. Is the bottom track and fixed panel within the Min. – Max. limit of adjustment. Max. 20mm? (see step 11)
3. Is the wedge gasket pushed in fully between the fixed panel glass and the wall profile. (see steps 15, 16, 19 & 20)
4. Have the fixed panels been properly secured by the bottom clip? (See step 16 & 20)
5. Are the upright seals fitted correctly? (see step 37)
6. Door not closing fully? Wipe clean the inner surfaces of the rubber bump stop on the bottom rail. If the door is still not closing fully check the spacer thickness (step 38)
7. Is the door sealed correctly? Ensure a sufficient dab of silicone is applied between fixed clip and glass on bottom profile and upright seal is fitted to fixed panel. Then remove excess silicone. (see step 41)

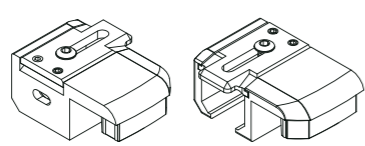


No.	QTY	descriptions	Part number	No.	QTY	descriptions	Part number	No.	QTY	descriptions	Part number
1	11	6MM Wall plug	A03S0090	14	1	Wall profile wedge seal	SP08SECY52	27	1	Fixed panel clip set	SP08HWSI44
2	10	M4 x 40 Countersunk screw	SP0A8M4X40	15	1	Curved fixed panel	B	28	2	Roller housing inside cap	SP08WH006-5
3	1	M4 x 40 Pan head screw	SP0A8M4X40Q	16	1	Curved fixed panel upright seal	SP08SESH12	29	2	Roller housing top cap	SP08WH006-6
4	1	Wall bracket	30 31 32 33 34 35	17	1	Moving panel upright seal	SP08SESH09	30	1	Quad 760 wall bracket	SP08HWSI42L/R
5	2	Top rail cover cap	SP08HD20301-4	18	1	Moving panel	C	31	1	Quad 760 wall bracket cap	SP08HWSI43L/R
6	1	Top rail	A	19	2	Wall profile bottom bracket	SP08HWSI22	32	1	Quad 800 wall bracket	SP08HWSI40L/R
7	2	Guide	SP08HWSI38	20	2	Quad bottom seal	SP08SESH06	33	1	Quad 800 wall bracket cap	SP08HWSI41L/R
8	2	M4x6 screw	SP0A8M4X6	21	1	Quad closing seal	SP08SESH19	34	1	Quad 900/1000 wall bracket	SP08HWSI46L/R
9	2	Quad fixed panel middle bracket	SP08HWSI51	22	1	Fixed panel	D	35	1	Quad 900/1000 wall bracket cap	SP08HWSI47L/R
10	2	Quad fixed panel middle bracket cover cap set	SP08HWSI51B	23	1	Handle	SP08HD090A	36	1	Moving panel installation tools	SP0A8DRJG
11	1	Quad wall profile top bracket (including the cap)	SP08HWSI33L/R	24	2	Bottom roller stop	SP08HWSI36L/R	37	1	Wall profile wedge seal	SP08SECY52A
12	2	Wall profile	SP08ALSH02	25	1	Complete roller set with installation tool	SP0A8ROLLSET				
13	1	Wall profile cover cap	SP08HWSI01L/R	26	1	Bottom profile	E				

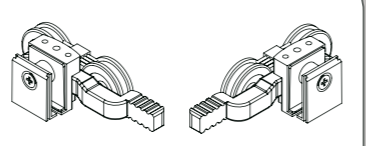
Fixing Kit Components



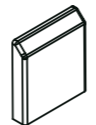
SP08HWSI22
X1



SP08HWSI31L/R
X1



SP0A8ROLLSET
X1



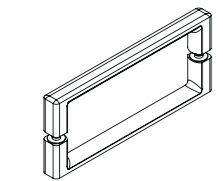
SP08WH006-5
X2



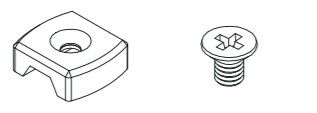
SP08WH006-6
X2



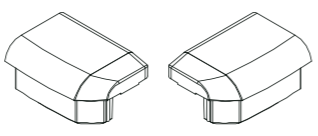
SP08HWSI51B
X2



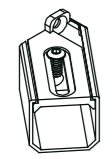
SP08HD090A
X1



SP08HWSI38 SP0A8M4X6
X2 X2



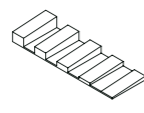
SP08HWSI01L/R
X1



wall bracket
x1



SP08HD20301-4
X2



A06S0062
X2



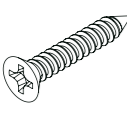
2.0mm
SP02mmALKEY
X1



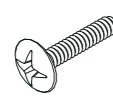
2.5mm
SP0GMS0852
X1



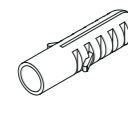
3.0mm
SP0GMS0851
X1



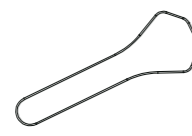
SP0A8M4X40
X10



SP0A8M4X40Q
X1

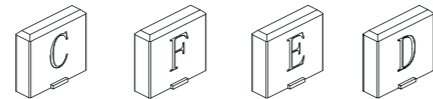
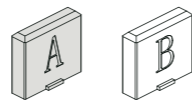


A03S0090
X11

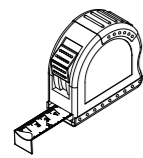


A10S0003
X1

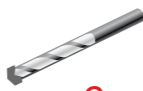
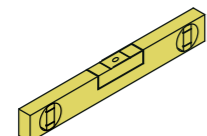
Roller stop spacers
SP0A8SPACER
X2



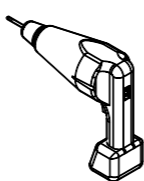
Tools required



PH2

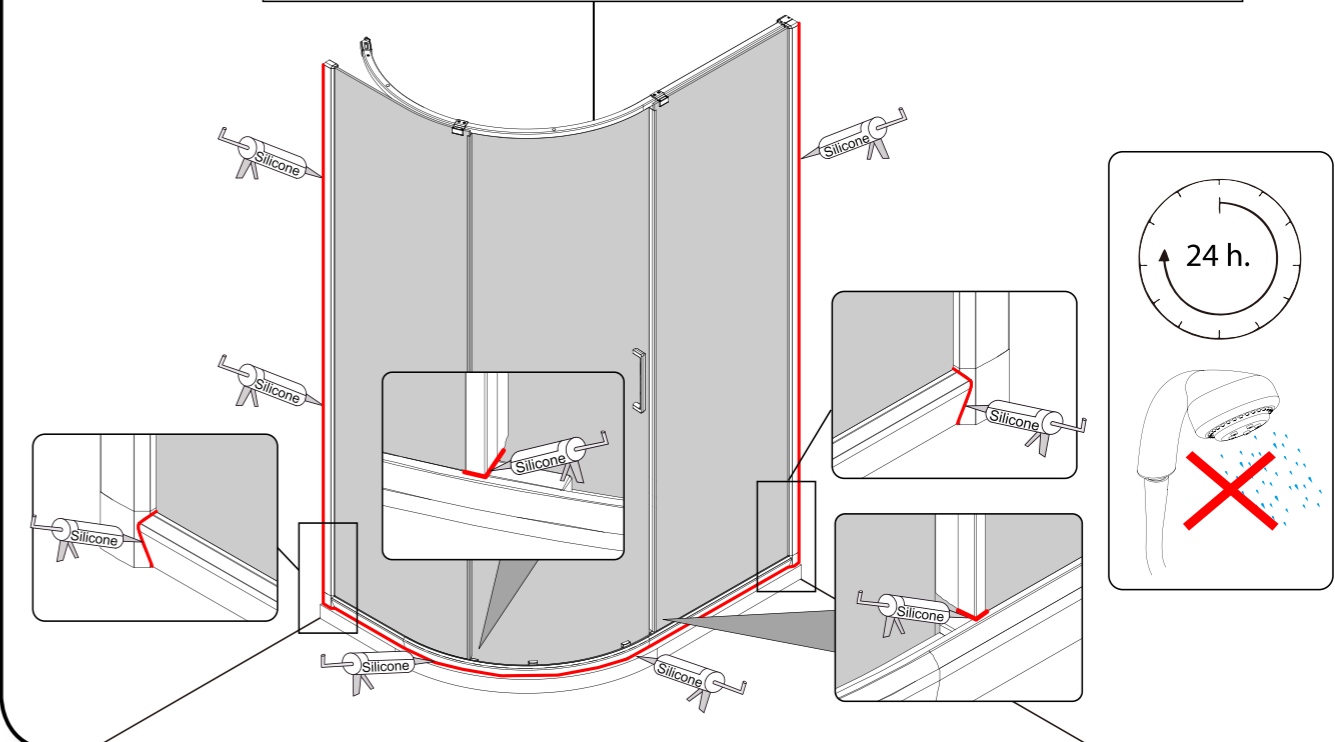


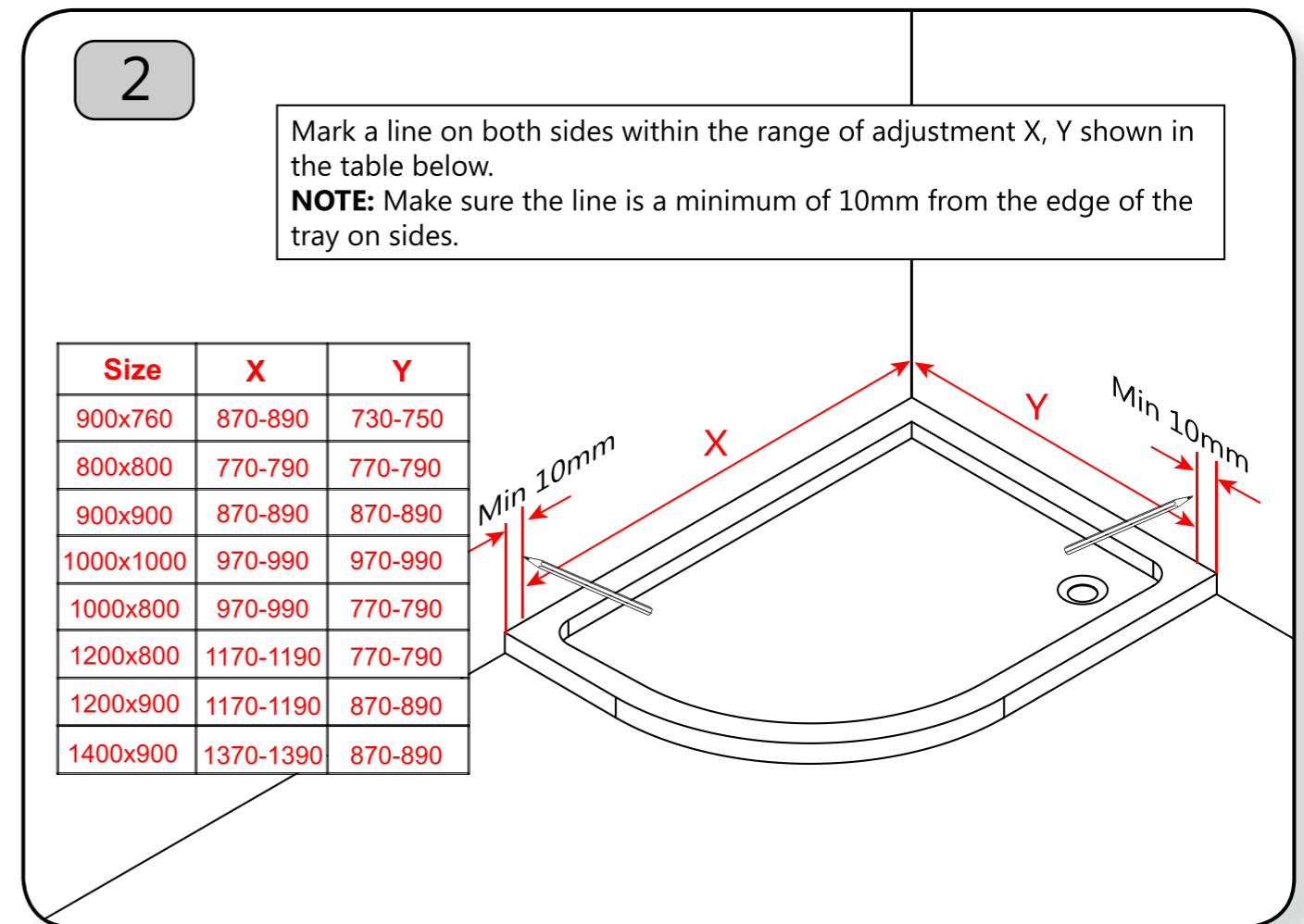
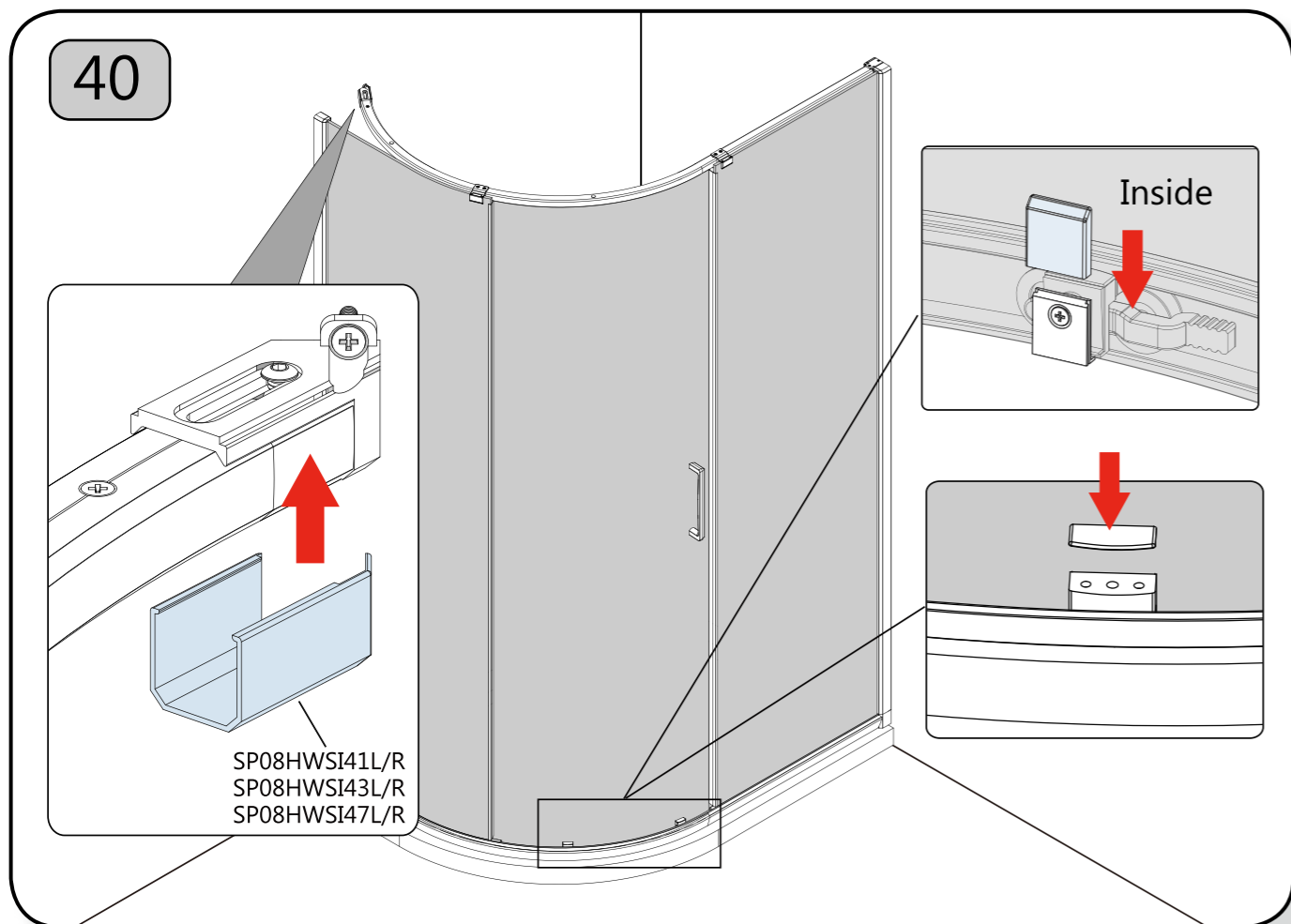
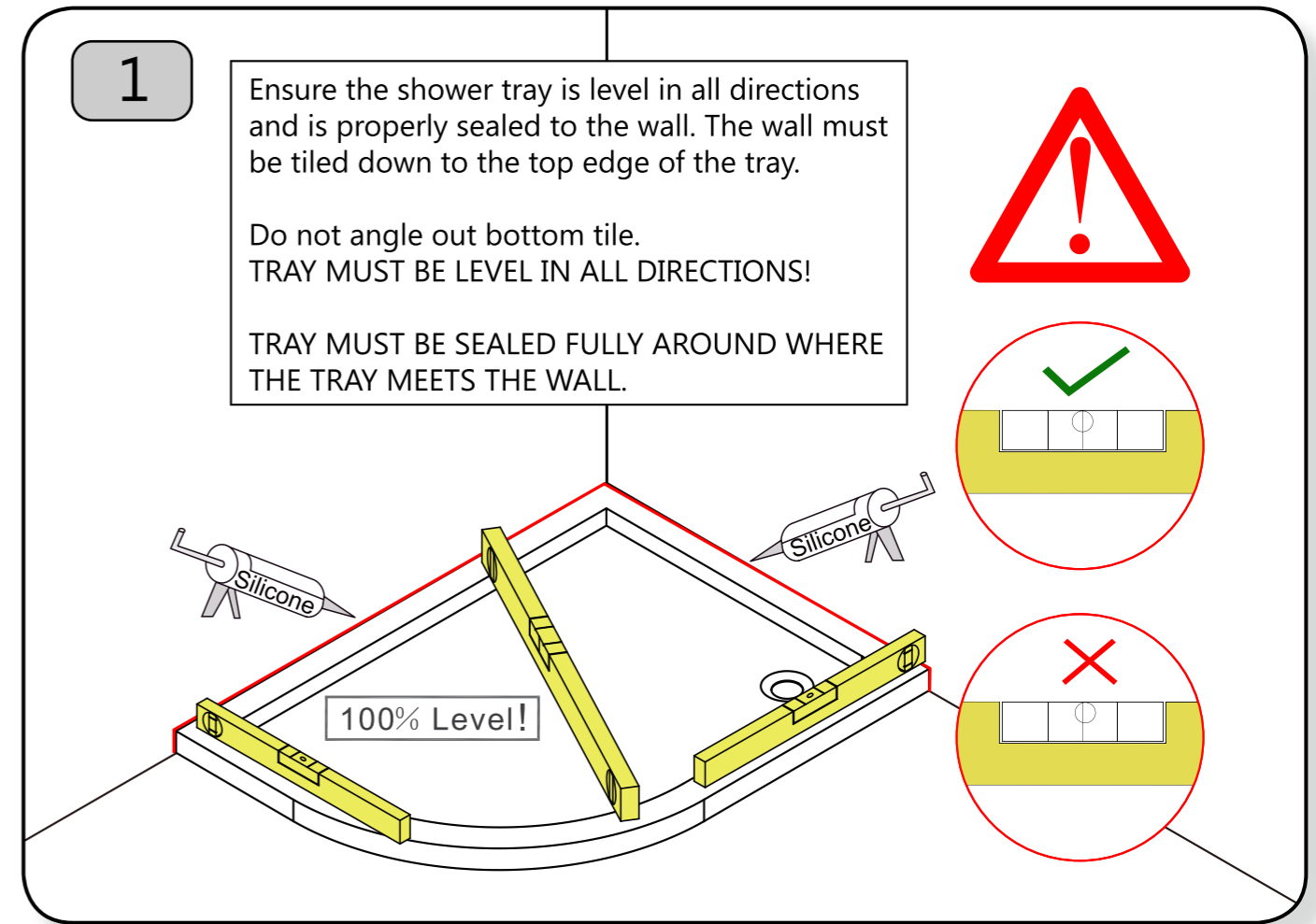
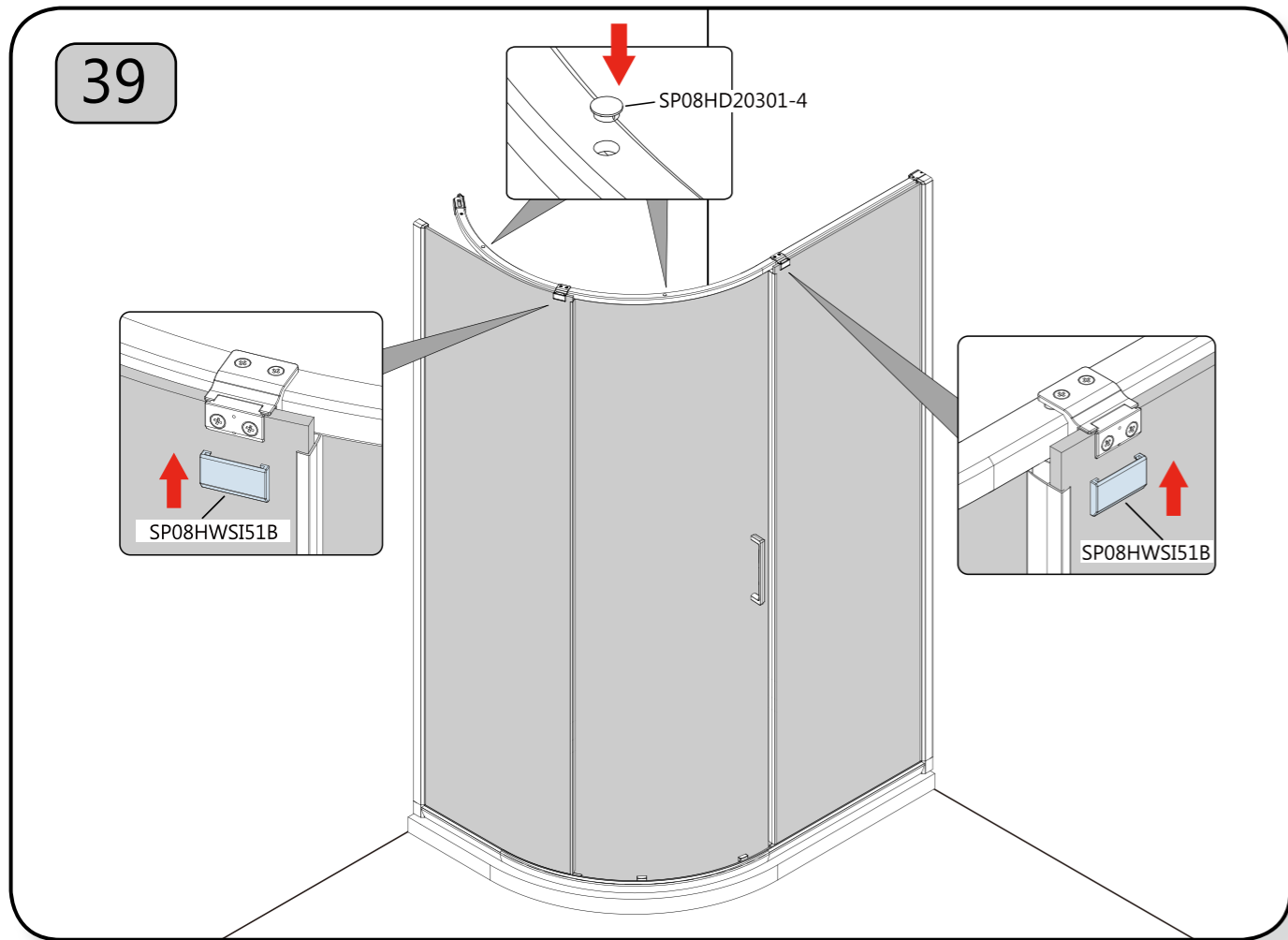
∅6



41

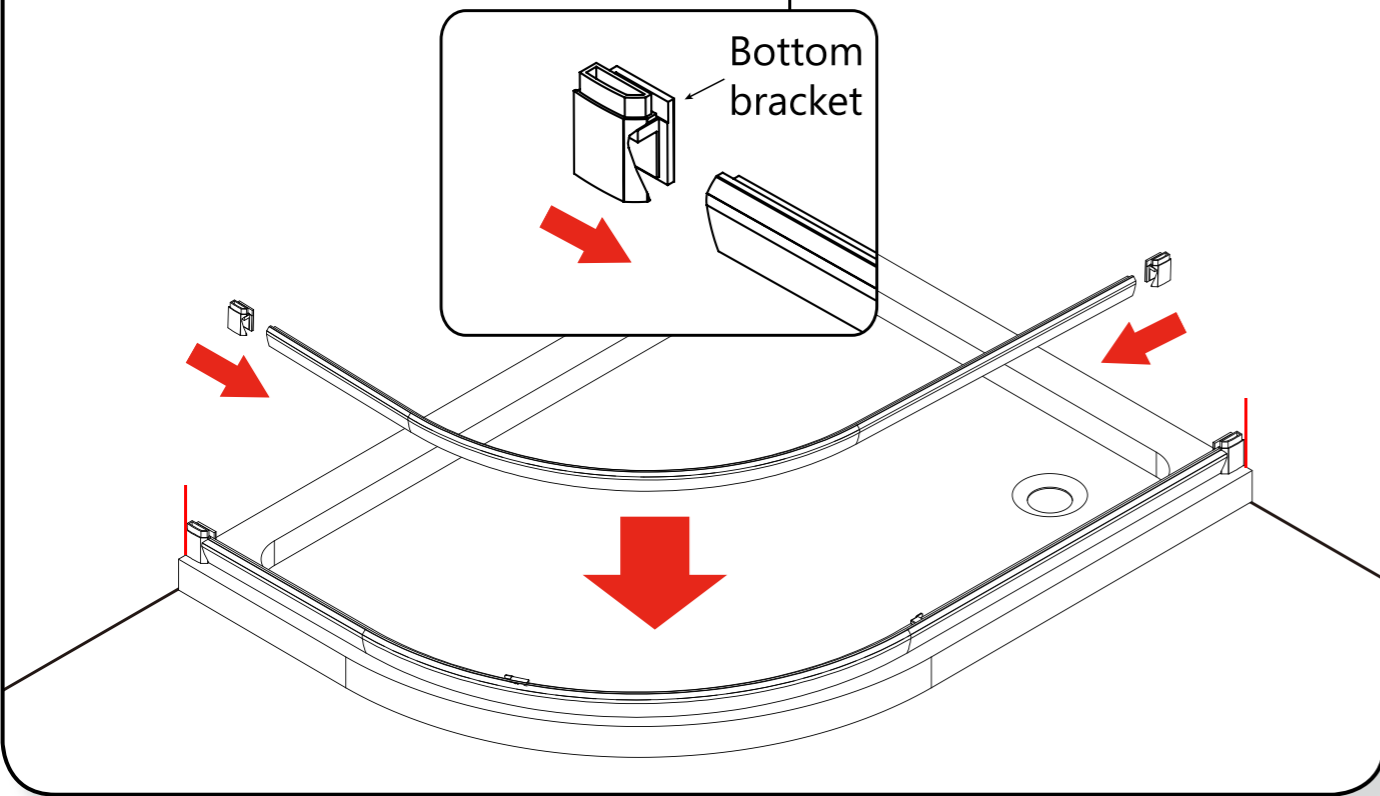
Before sealing make sure all surfaces are clean, dry and free from any residue such as grout. Use quality silicone sealant and applicator gun to finish the door. Seal between the wall and the wall profile.
Seal between the bottom of the fixed panel seal and the clip.
Seal between the bottom profile and the tray/tile.
Seal between the bottom profile and the bottom bracket.
DO NOT USE THE ENCLOSURE FOR 24 HOURS.



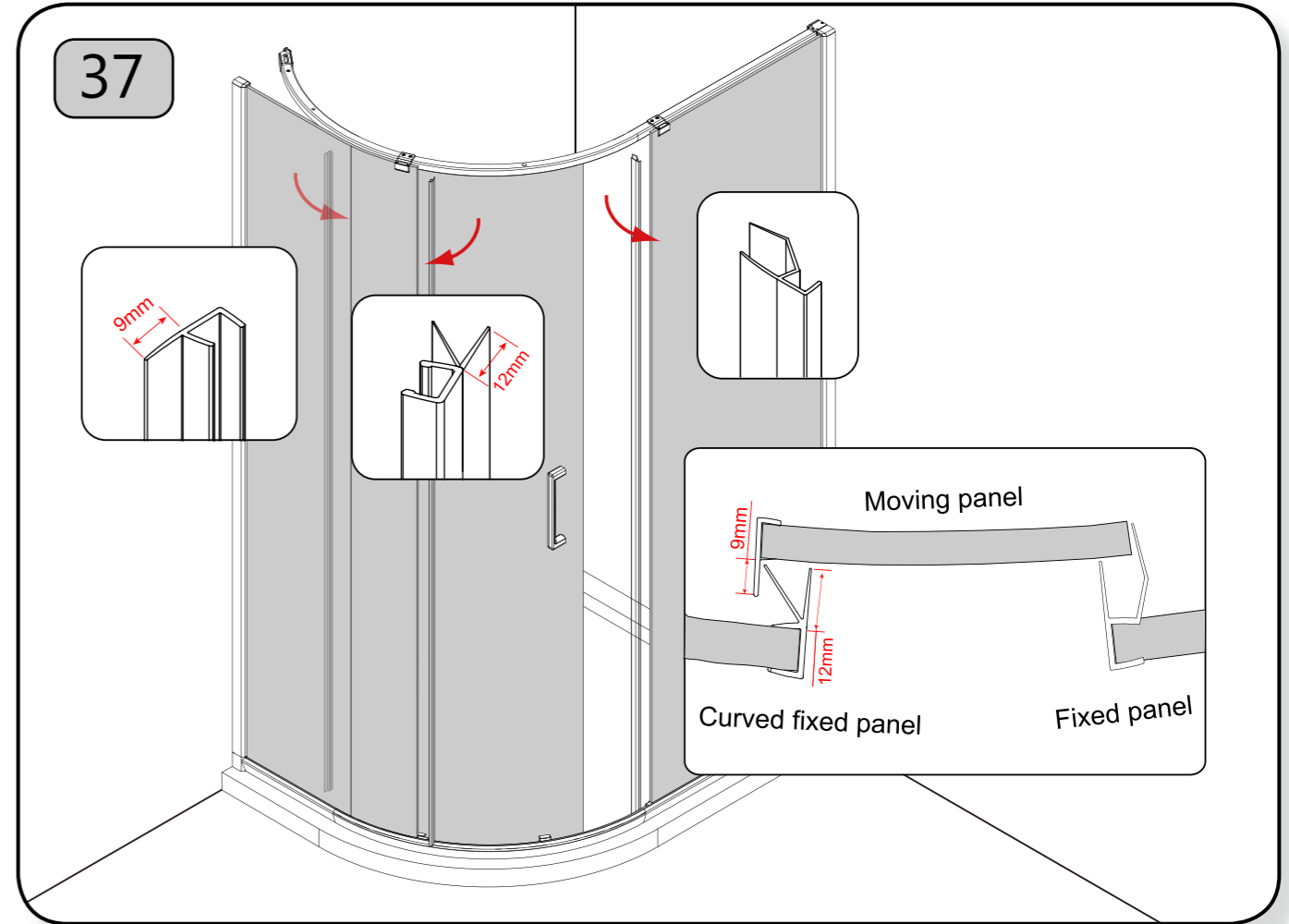


3

Slide the bottom brackets onto each end of the bottom profile and place on the tray.

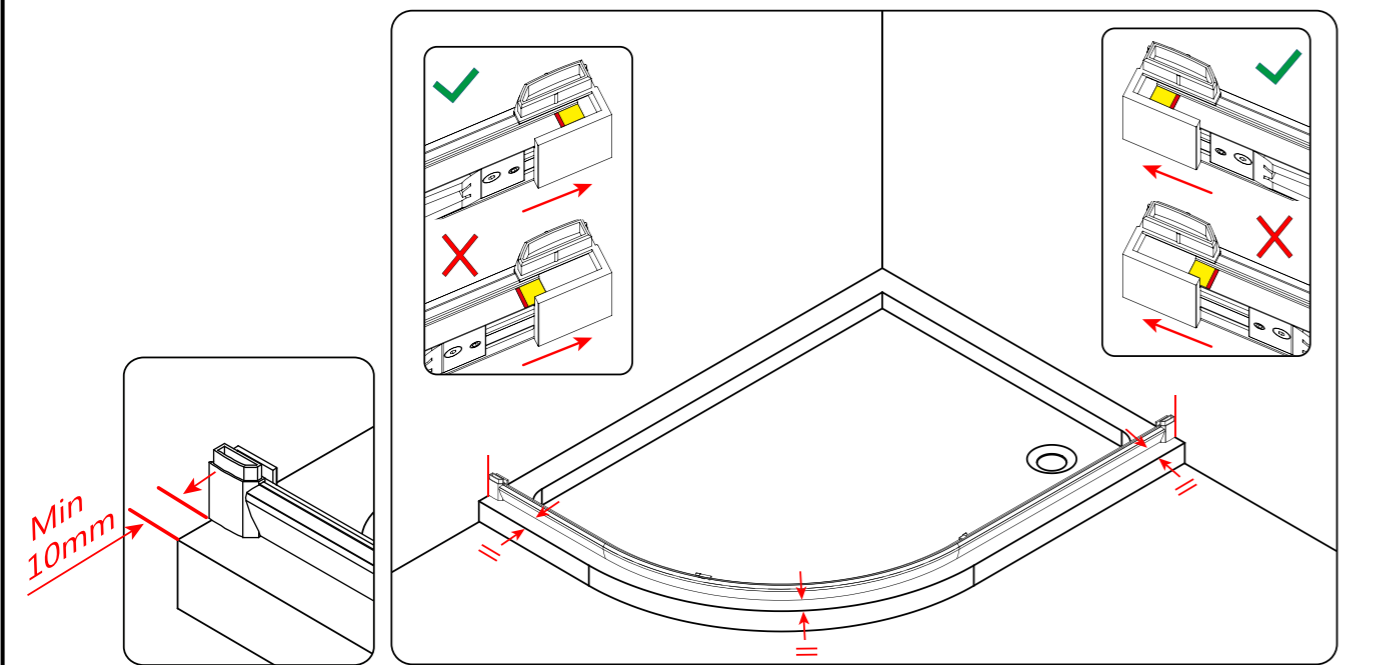


37

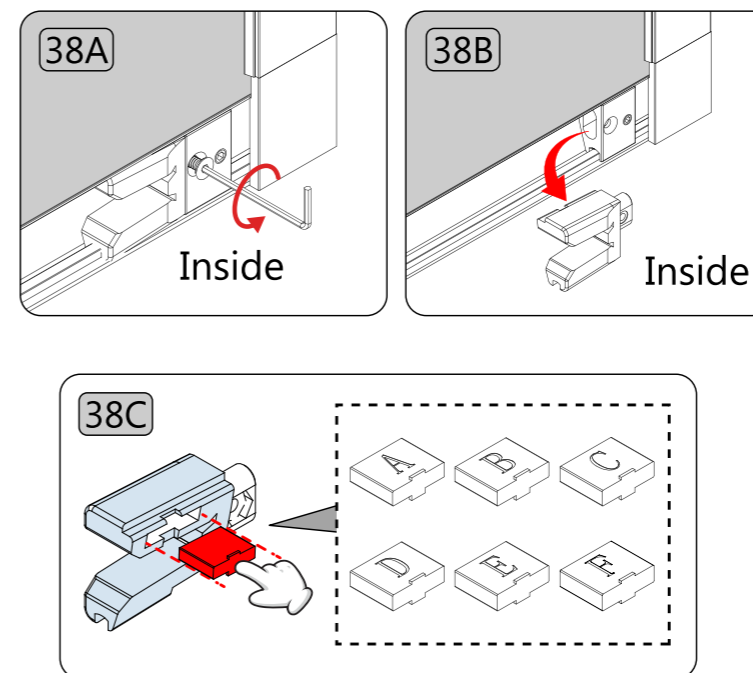


4

Push the brackets tight to the wall and check the gap from the edge of the tray to the front of the profile is even all round. Note the line marked on the ends of the profile. This is to show the limit of the 20mm adjustment. The line should not come past the edge of the bottom bracket.



38



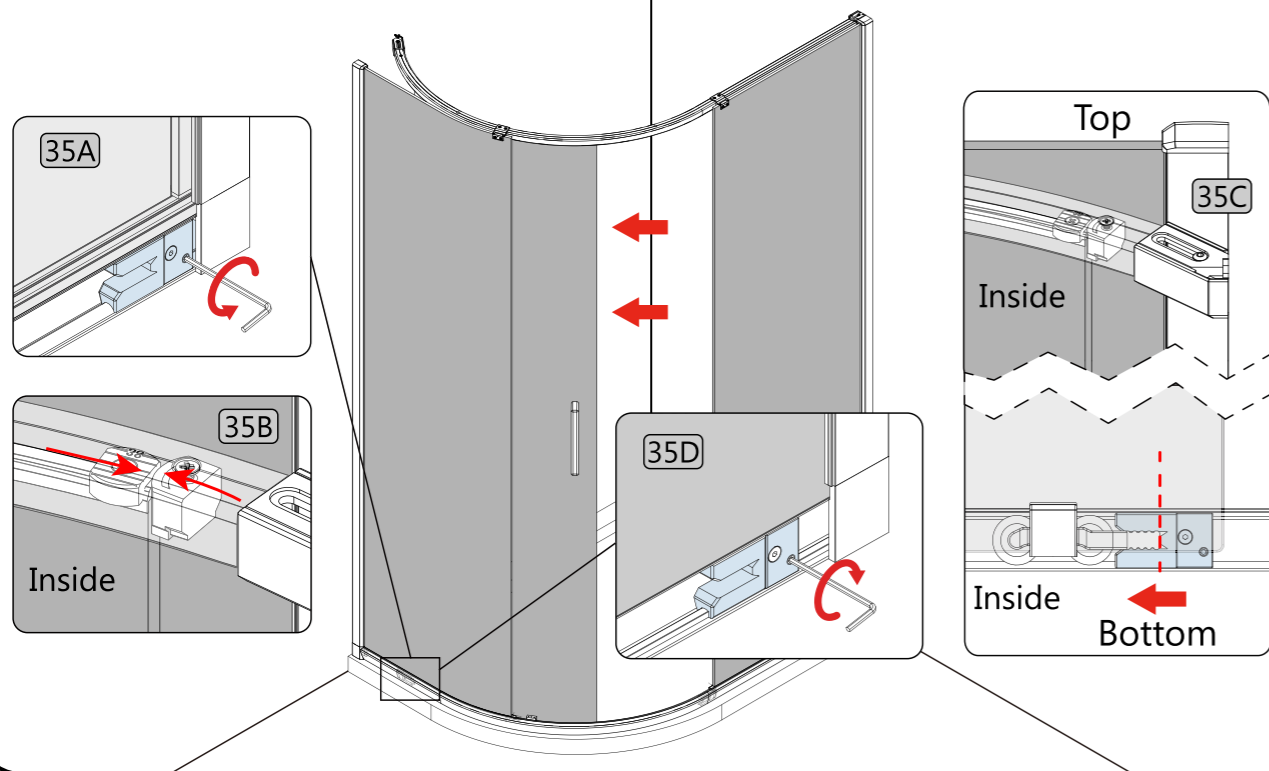
The soft close resistance of this product can be adjusted depending on the users preference and may also need to be adjusted depending on the door size purchased as all doors are fitted as standard to the lowest setting. This can be done simply by replacing the spacer within the soft close block.

Note: The spacer thickness increases from A to F.
38A. Remove the countersunk screw.
38B. Remove the soft close block.
38C. Slide out spacer, replace the spacer and reassemble. Test the function and repeat the process in increments until the desired soft close function is achieved.

TOP TIP! To keep the soft close working at its optimum level periodical cleaning of the rubber is advised. Use a damp cloth to wipe the top and bottom surfaces that are in contact with the roller arm.

35

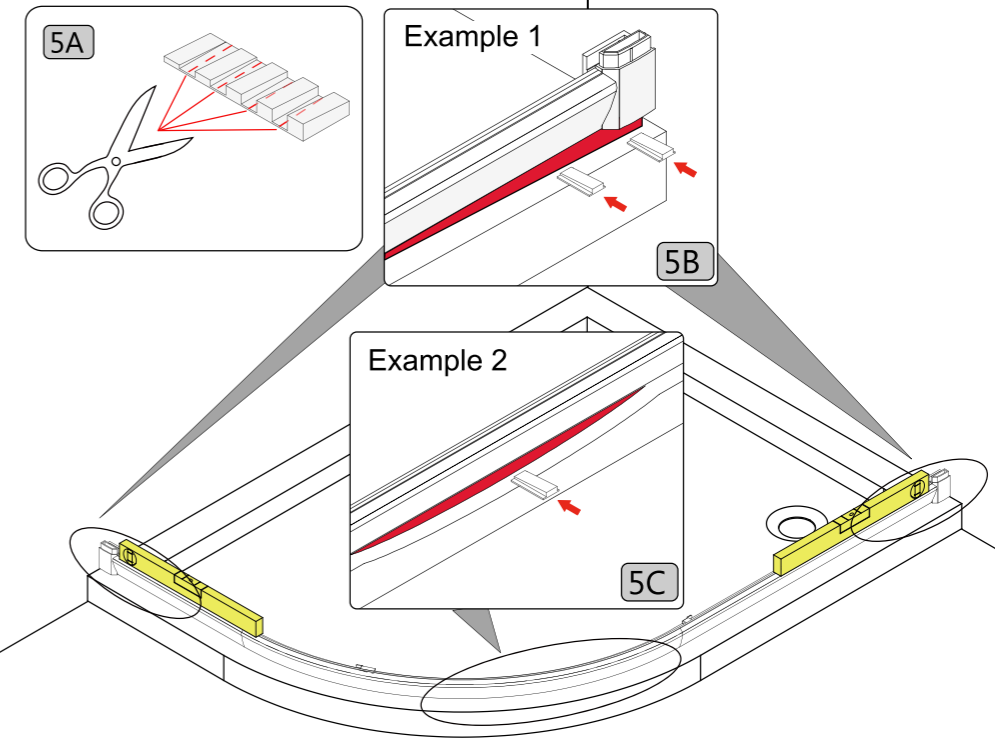
35A. Loosen small grub screw with the 2mm hex key.
35B. Slide the moving panel to the fully open position making sure it is touching the bump stop in the top rail.
35C. Slide the bottom stop fully onto the roller arm. Make sure the top bump stop is still touching the edge of the moving panel. Hold the roller stop in position, then slide back the moving panel.
35D. Fully tighten the grub screw.



5

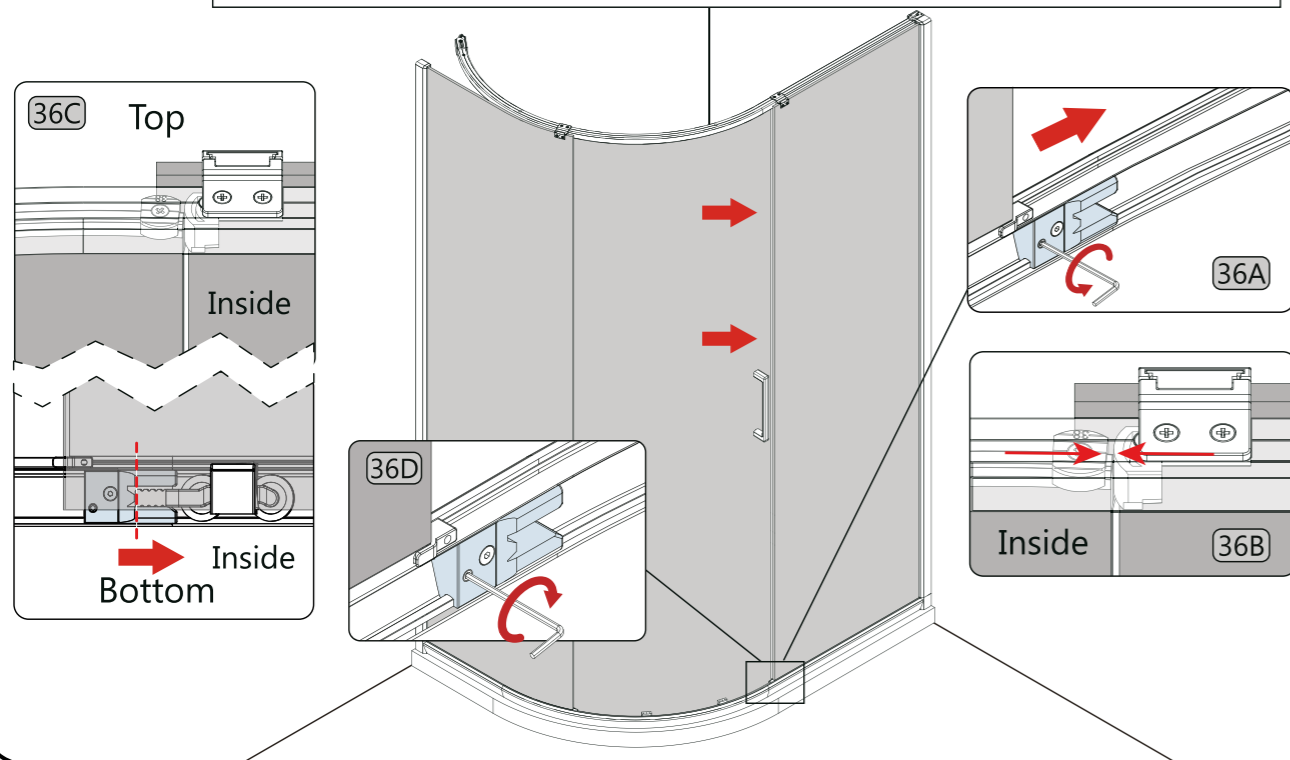


The profile must be completely level and supported to ensure the door functions correctly. Use the spacers provided to fill any gaps between the tray/floor and the bottom track.
NOTE ! Make sure this is done before marking the holes for the wall profile.

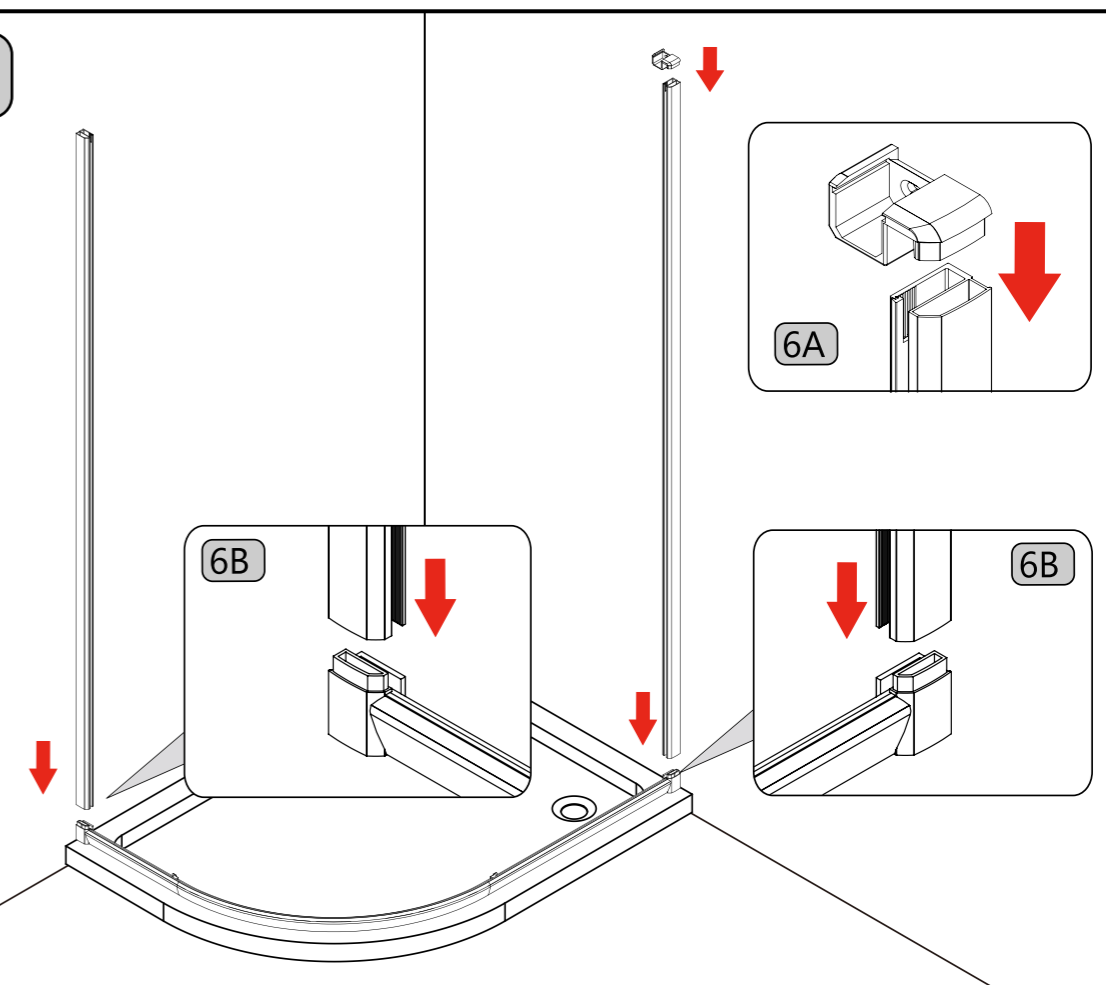


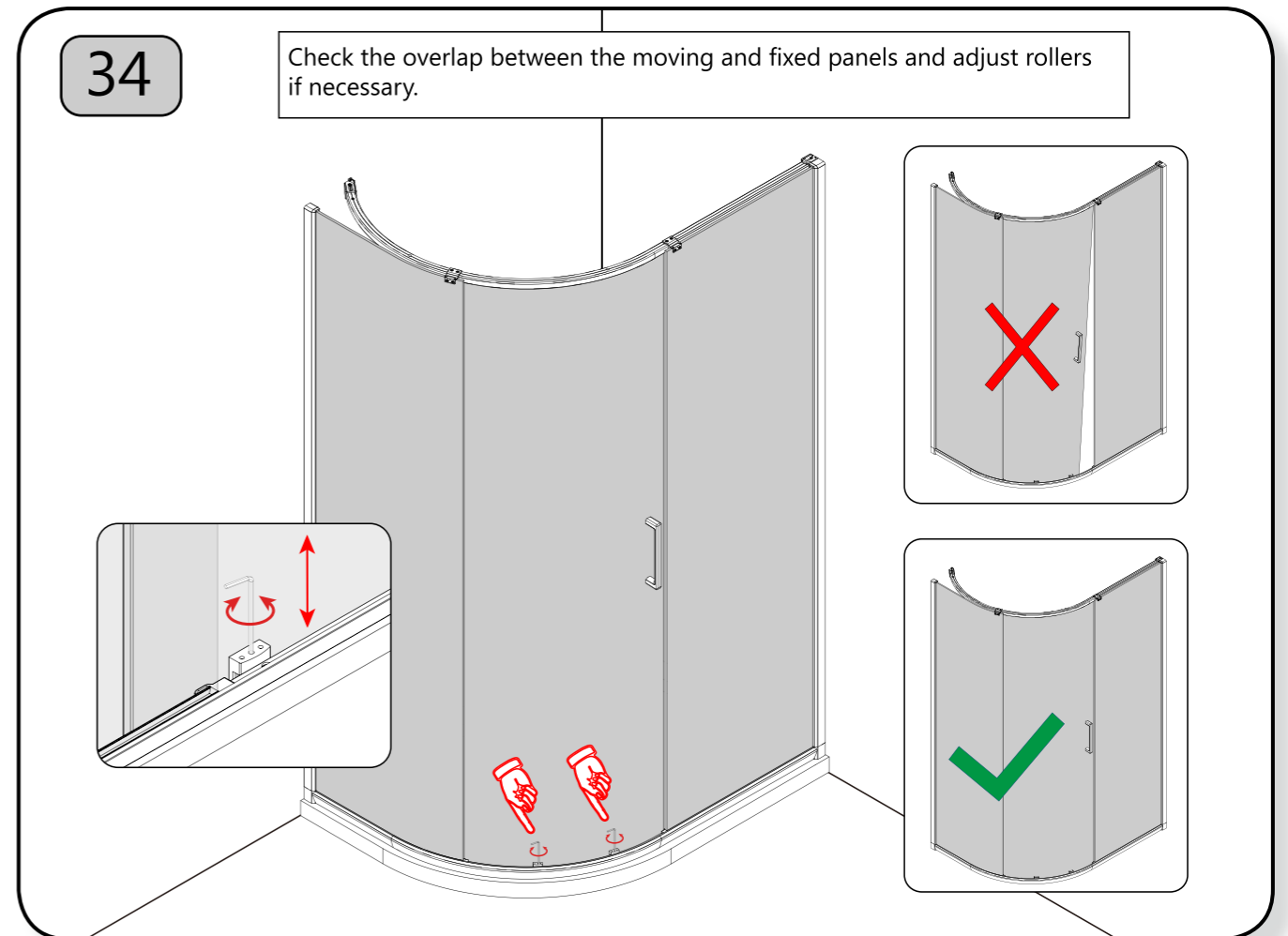
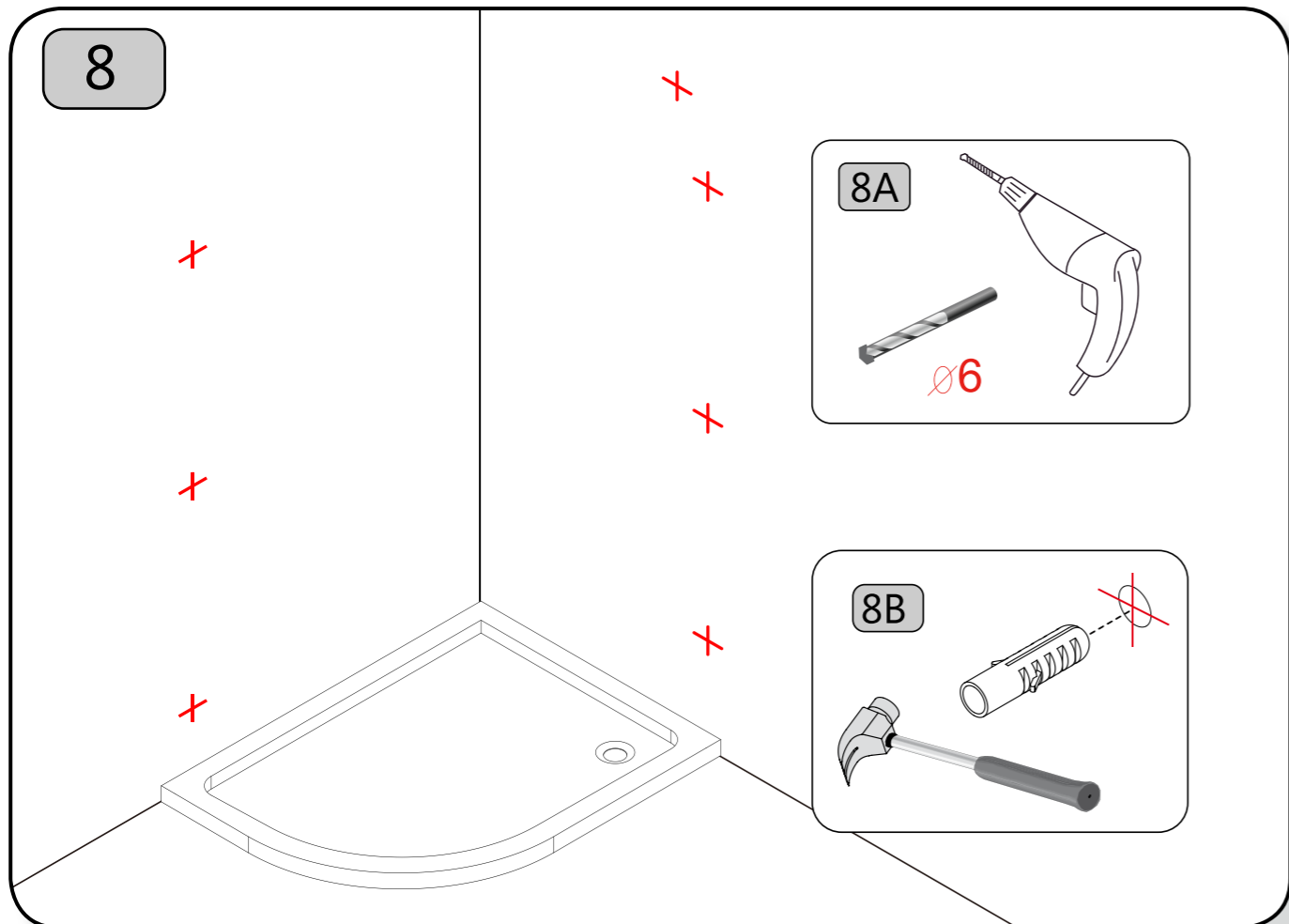
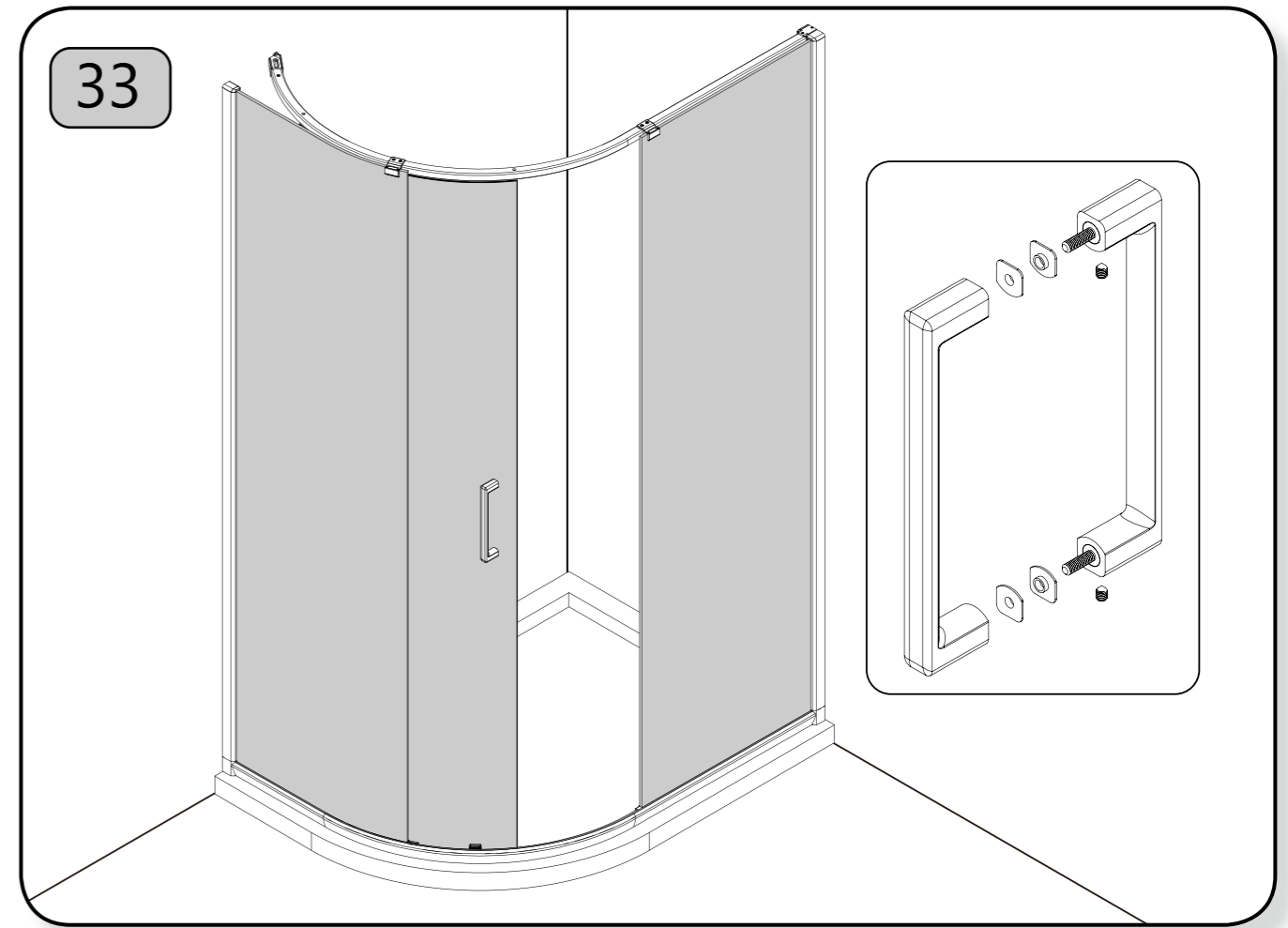
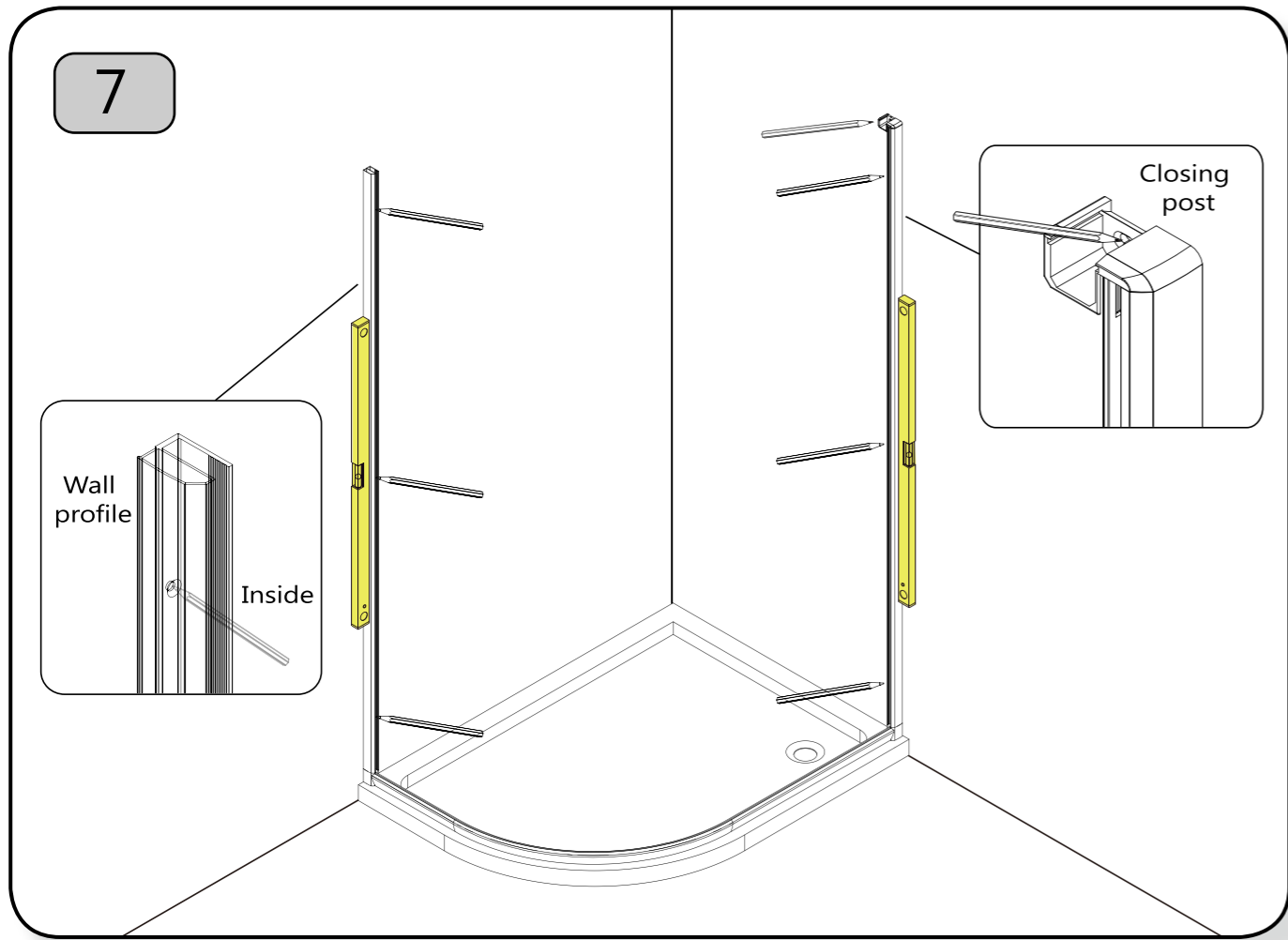
36

36A. Loosen small grub screw with the 2mm hex key.
36B. Slide the moving panel to the fully closed position making sure it is touching the bump stop in the top rail.
36C. Slide the bottom stop fully onto the roller arm. Make sure the top bump stop is still touching the edge of the moving panel. Hold the roller stop in position, then slide back the moving panel.
36D. Fully tighten the grub screw.



6

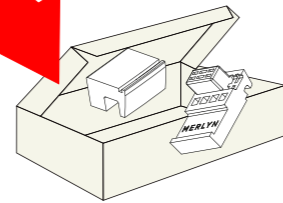
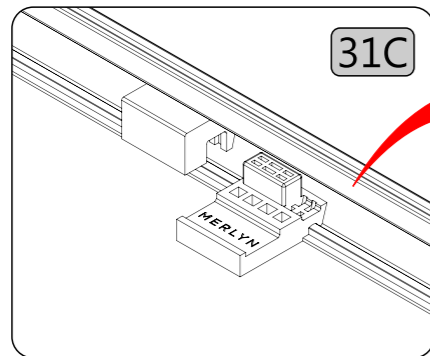
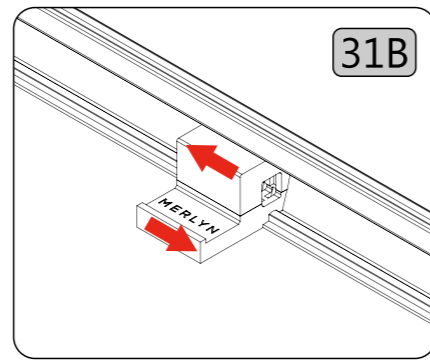
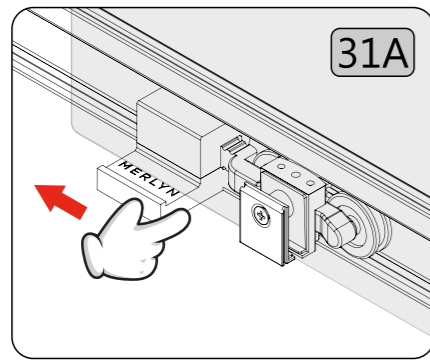




31

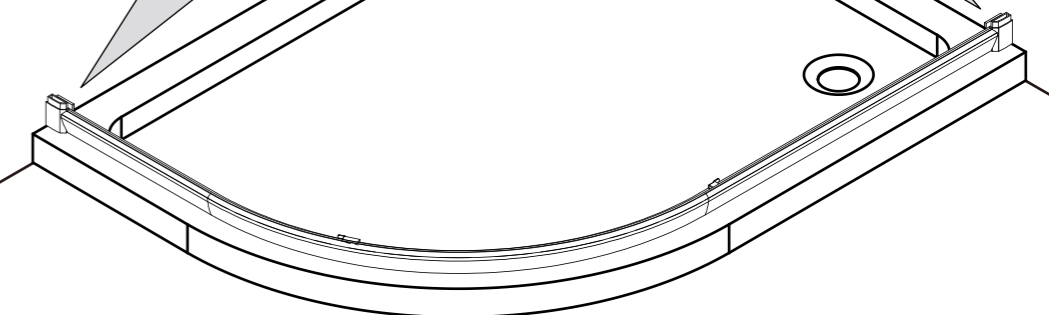
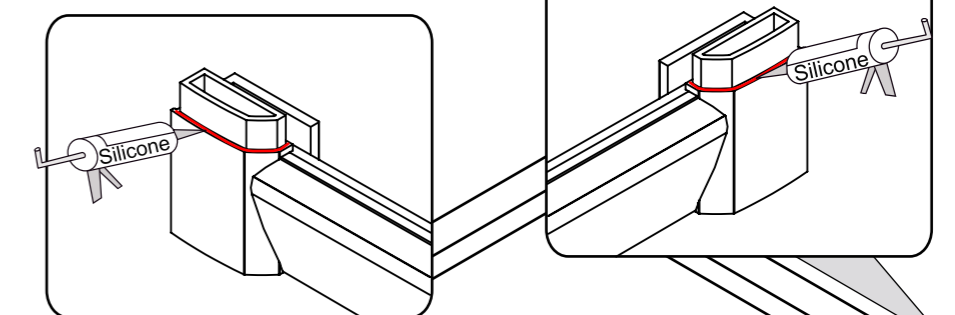
Moving panel installation

Remove the installation tools and keep for future maintenance and cleaning.



9

Add a thin bead of silicone to the front and side edge of the bottom brackets.



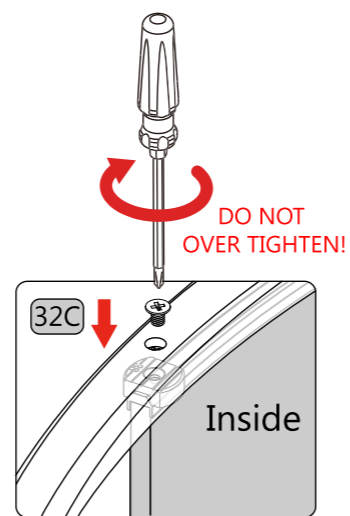
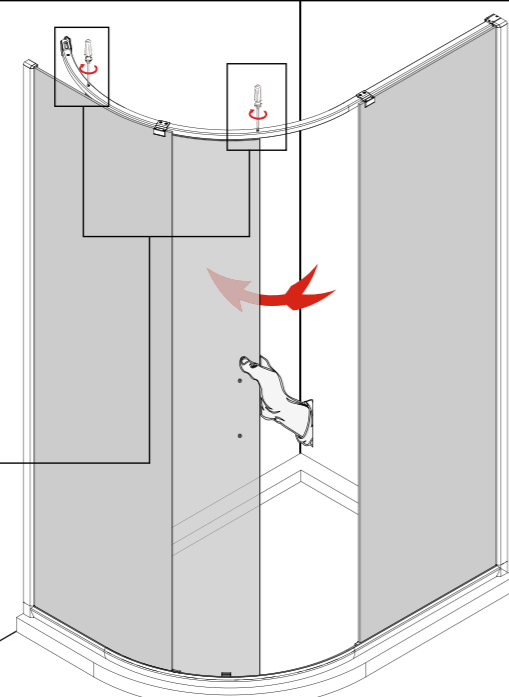
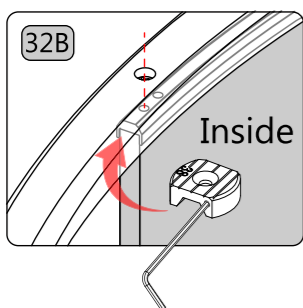
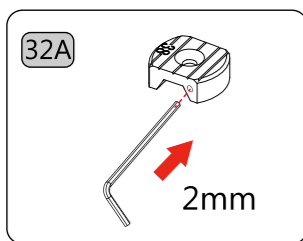
32

Moving panel installation

32A. Fit the guide to the long end of the 2mm hex key and slide onto the top of the moving panel.

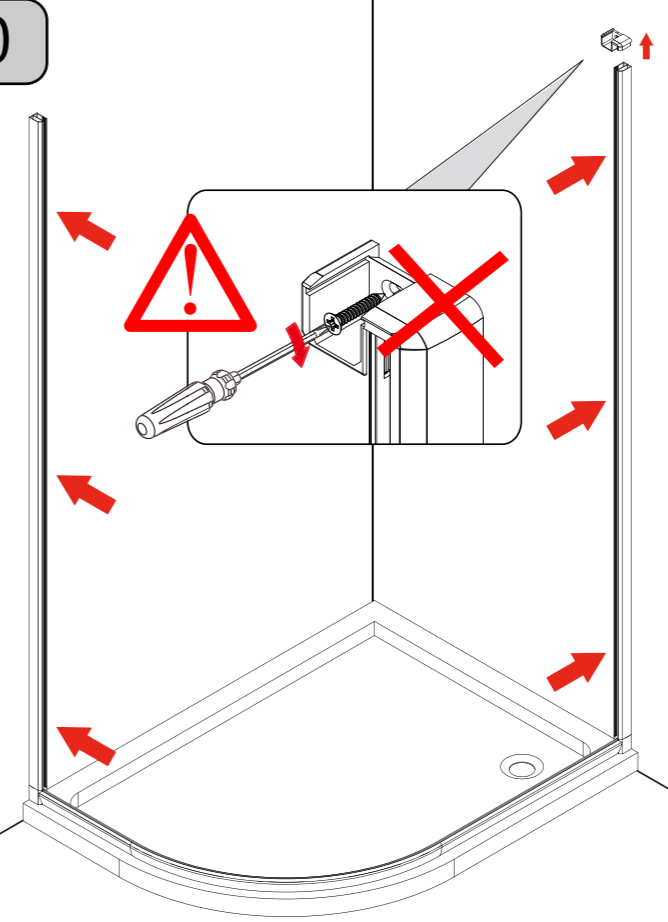
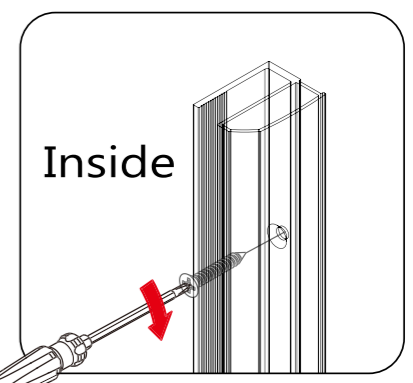
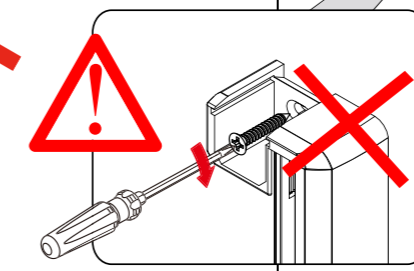
32B. Align the hole in the guide with the hole in the top of the moving panel and the hole in the top rail.

32C. Fix the guide to the top of the moving panel with screw SP08HWSI29. **DO NOT OVER TIGHTEN !**



10

Fit only the wall profiles at this stage, Do not fit the bracket to the top of the wall profile until later.



11

0mm - 20mm adjustment is available on each side. Note the position of the line marked on the ends of the profile, this line must be within the bottom bracket. If the line is past the edge of the bracket then the Max adjustment has been exceeded.

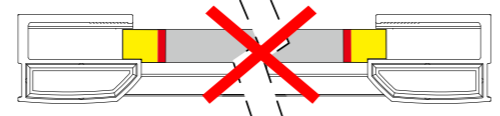
Min adjustment



Max adjustment



Over adjustment



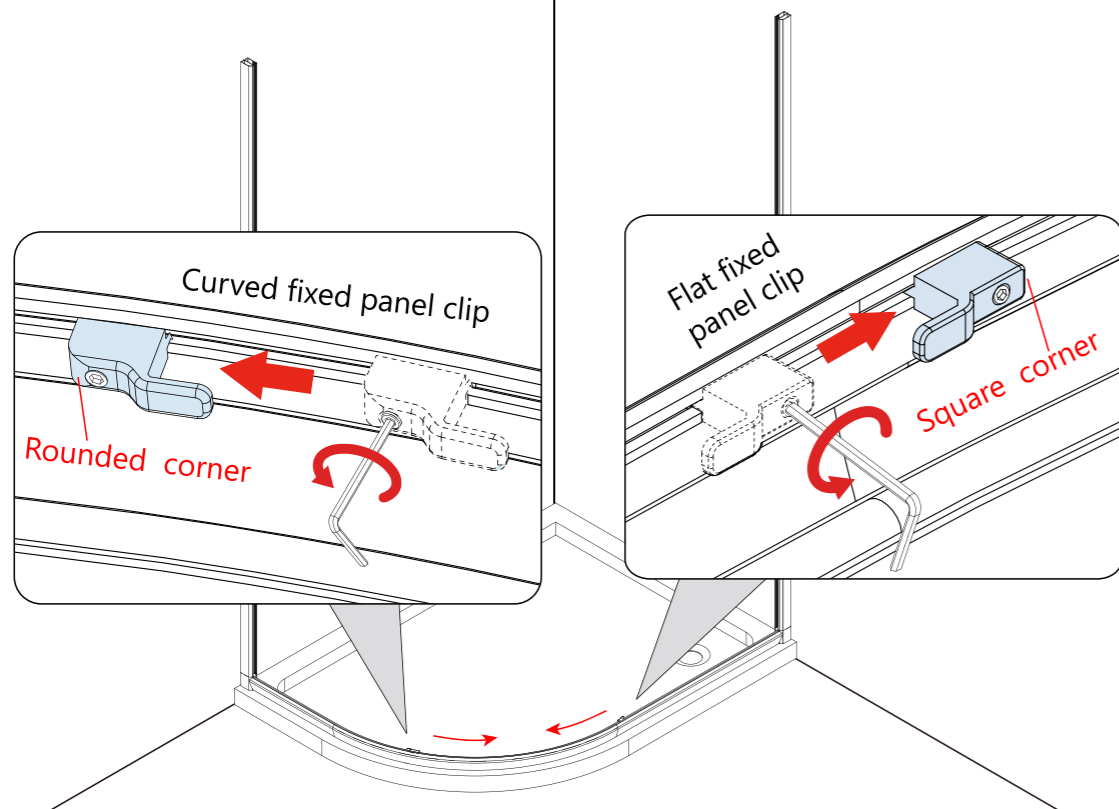
29

Moving panel installation
Measure from centre to centre of the rollers and set the distance X according to the product size table.

Size	X
900x760	270
800x800	215
900x900	215
1000x1000	215
1000x800	215
1200x800	215
1200x900	215
1400x900	215

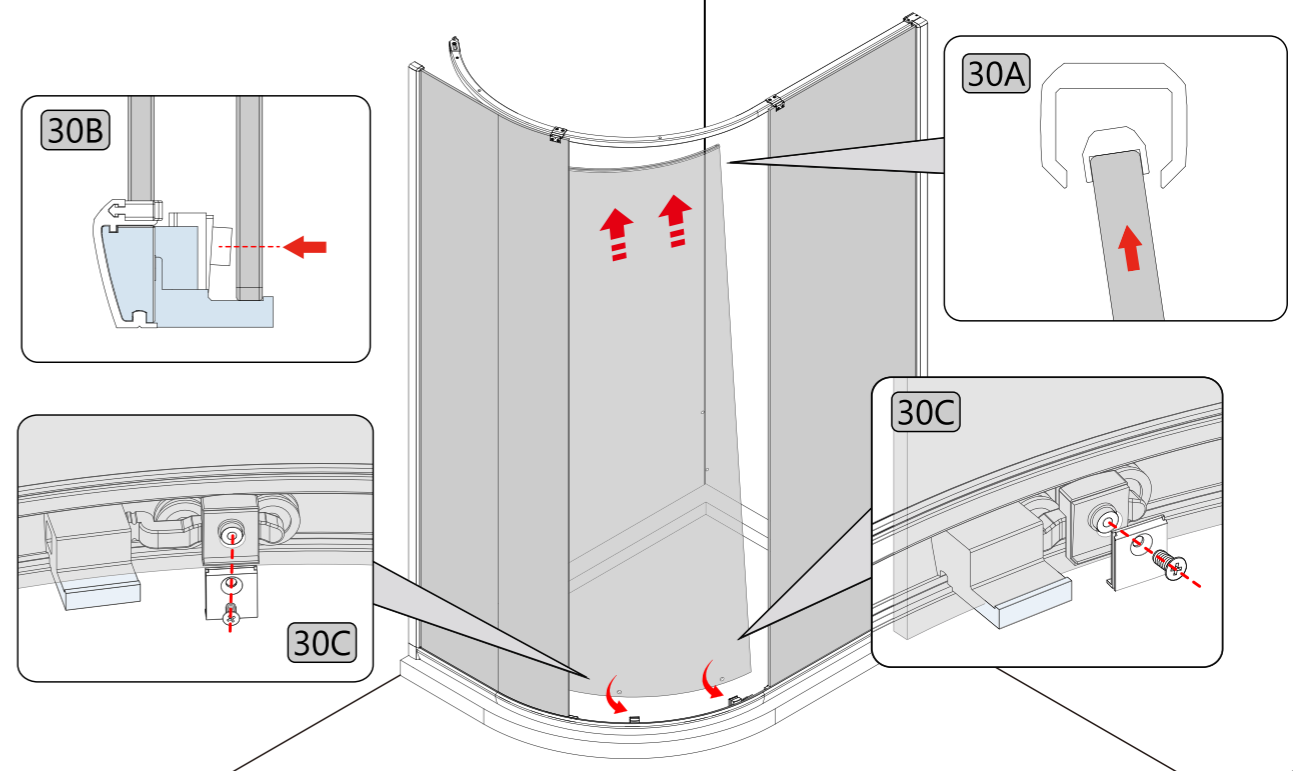
12

Loosen both clips and move to the centre of the profile.
Note: The clip with the rounded corner is on the side of the curved fixed panel and the square cornered clip is used on the flat fixed panel side.



30

Moving panel installation
30A. From inside the enclosure place the moving panel into the top rail.
30B. Rest the bottom of the panel onto the installation tool.
30C. Push the panel onto the roller housing and secure with fixing plate, washer and screw.



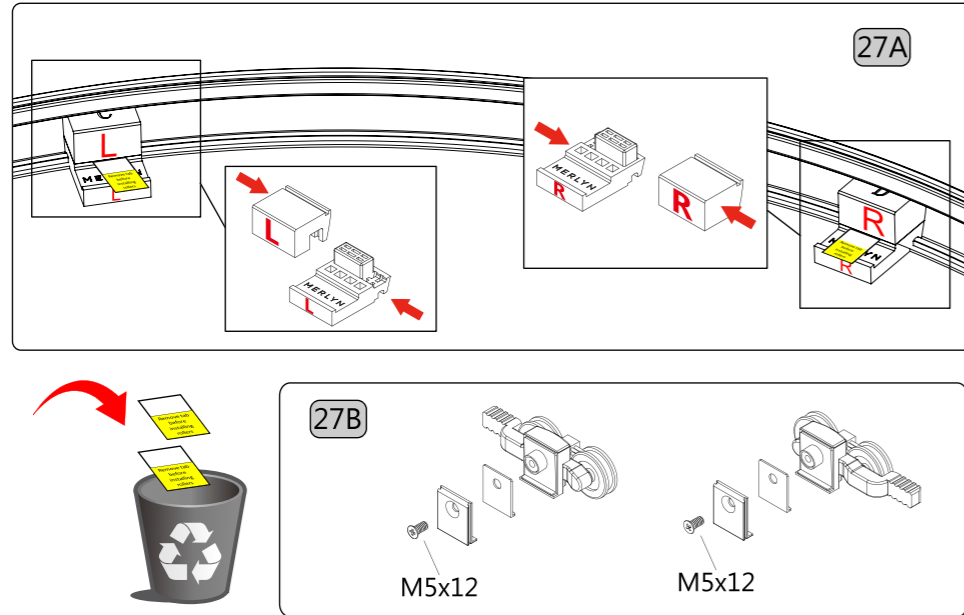
27

Moving panel installation

27A. Installation tools for the moving panel are preassembled to the bottom profile. These may have moved during transit or have been removed during the unboxing and need to be in the correct position to fit the moving panel.

Note: Parts are left and right handed (L&R) and are fitted from inside the enclosure.

27B. Remove the fixing plate and washer from both rollers.



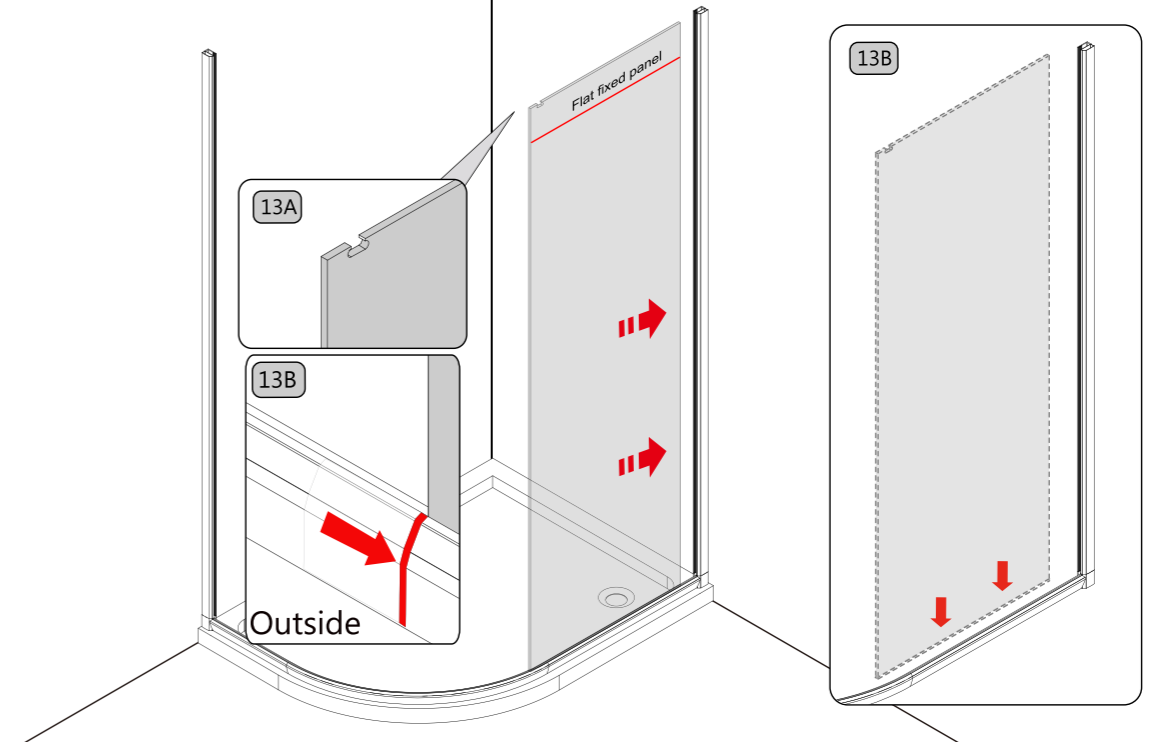
13

Flat fixed panel installation

13A. Note the position of the slot in the fixed panel.

13B. Lift panel onto the bottom profile and slide into the wall profile until the edge of the glass is aligned with the mark on the profile.

ATTENTION ! Make sure the bottom profile does not move and the line on both ends are within the Min. – Max. range.

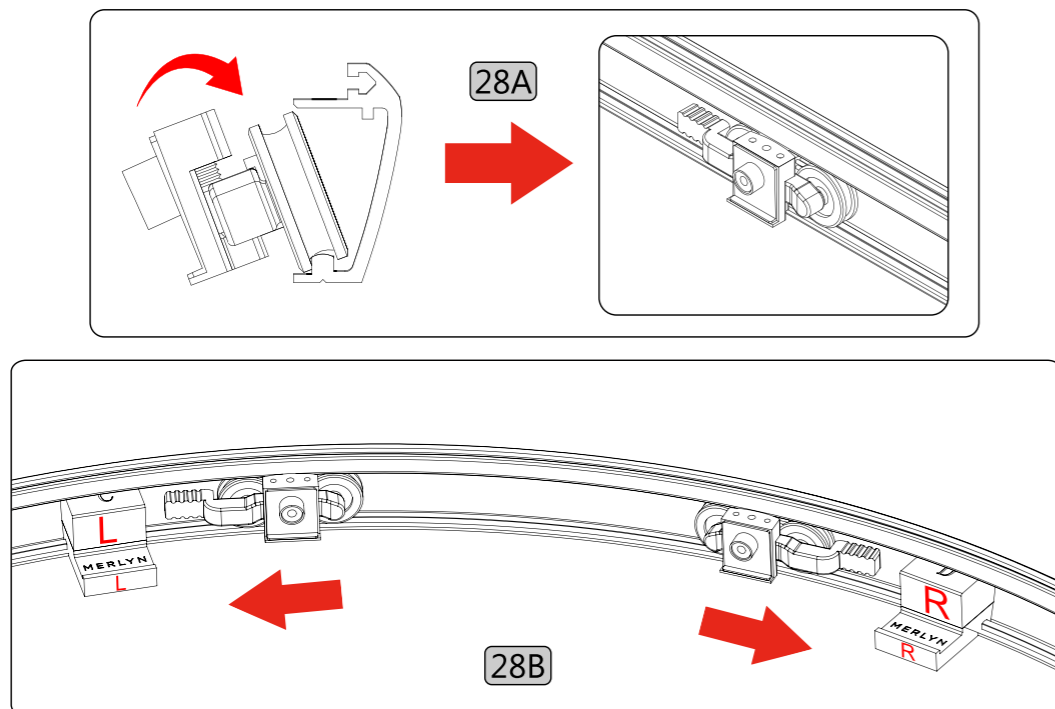


28

Moving panel installation

28A. Place the roller on the track at a slight angle and tilt forward.

28B. Slide the roller arm into the slot in the installation tool to hold the roller upright.

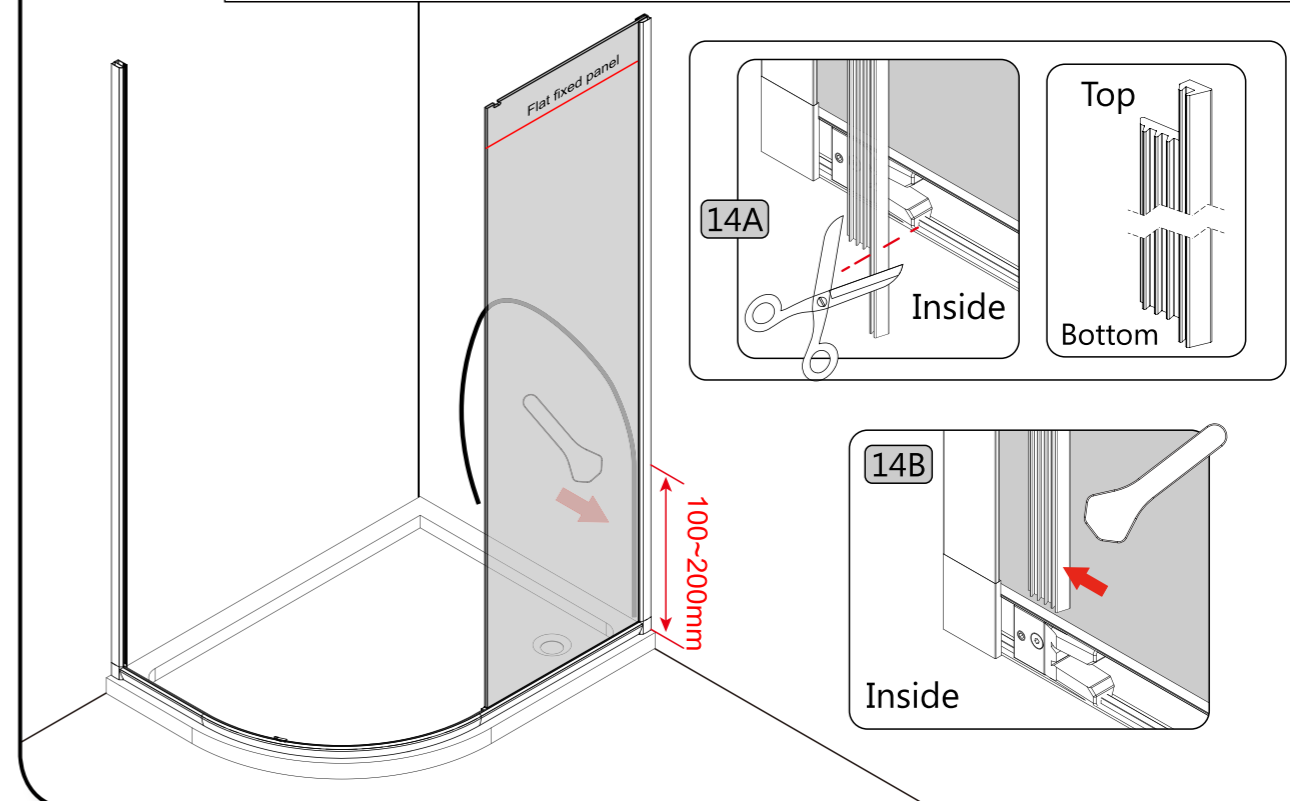


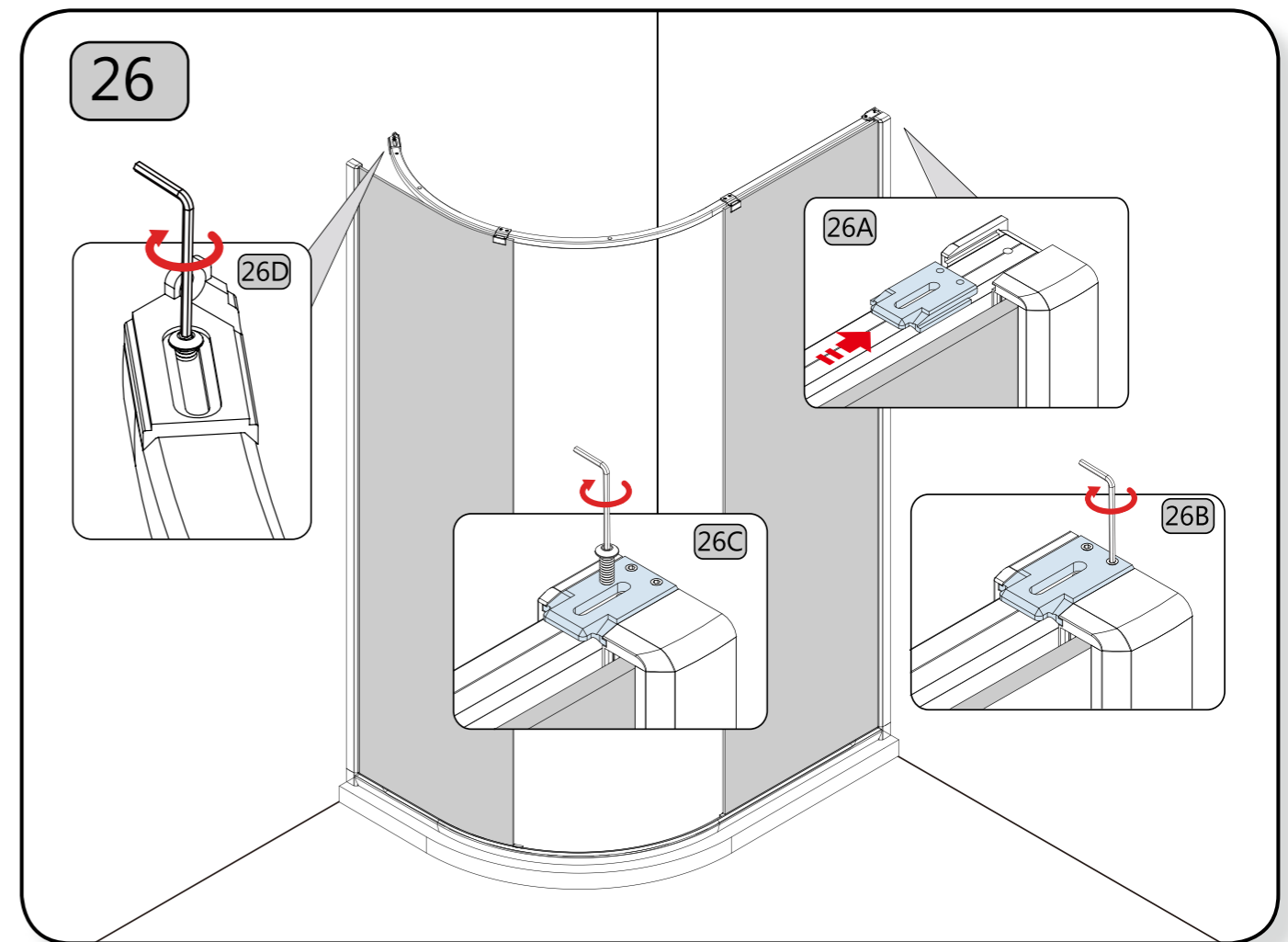
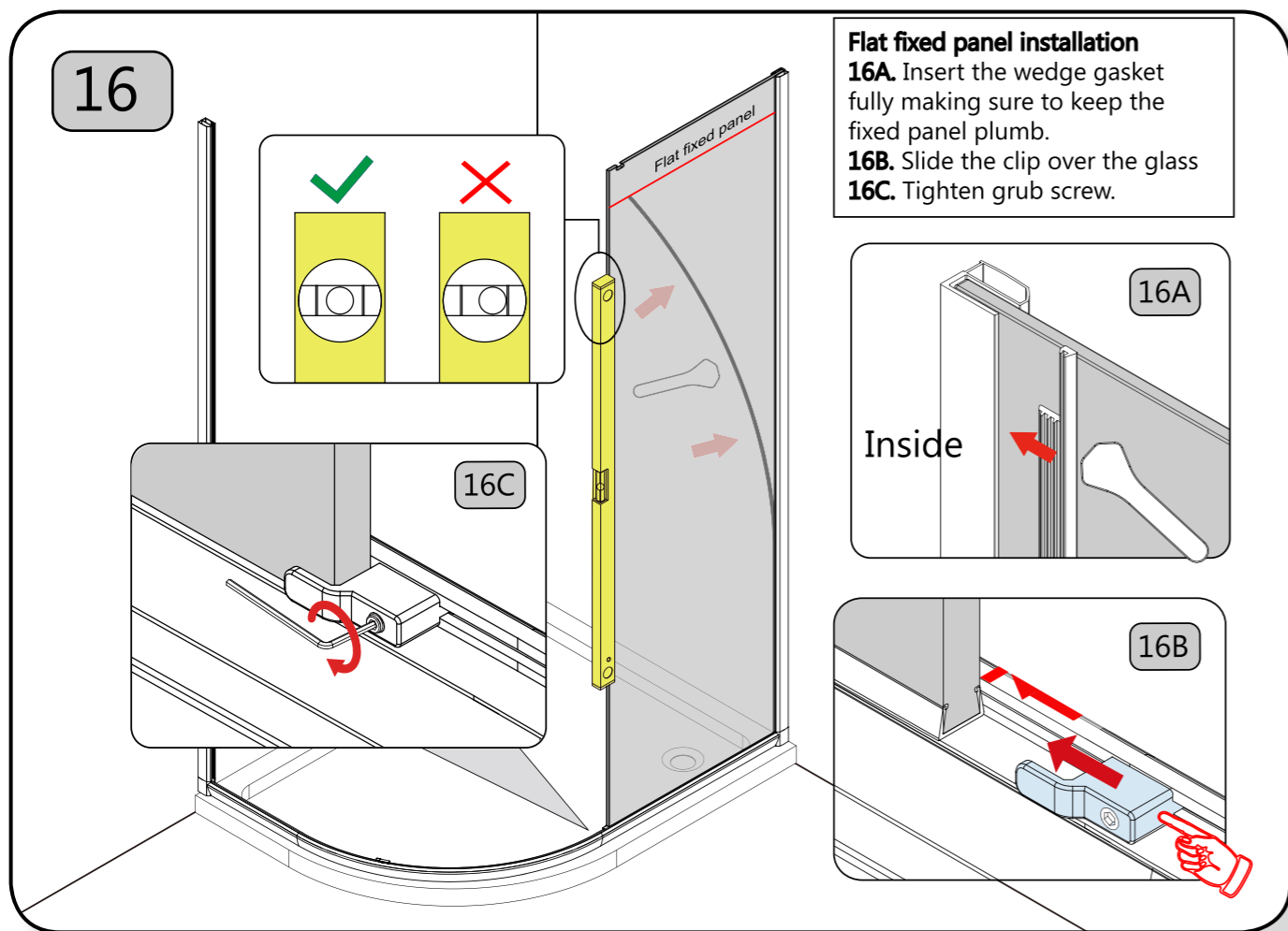
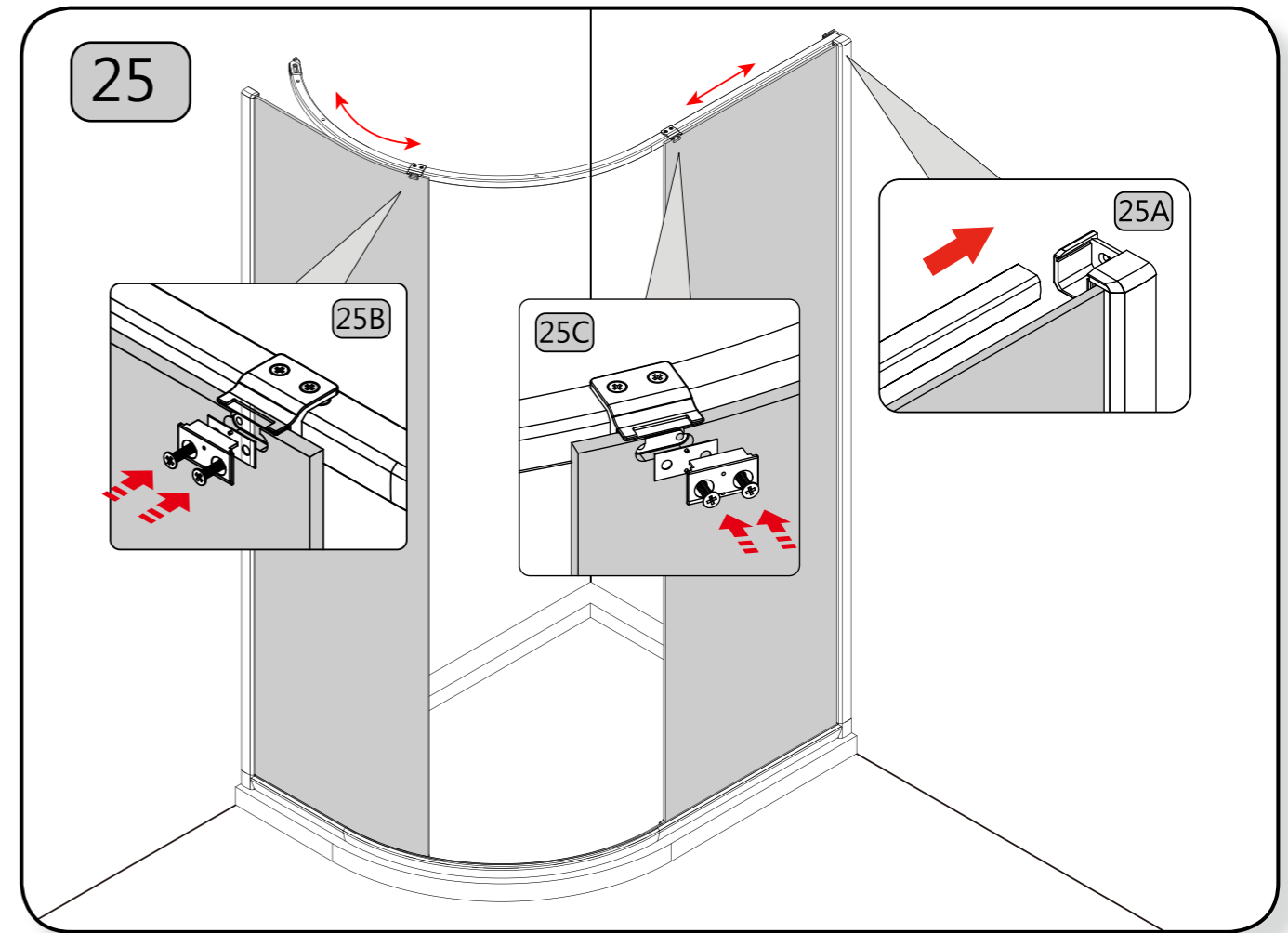
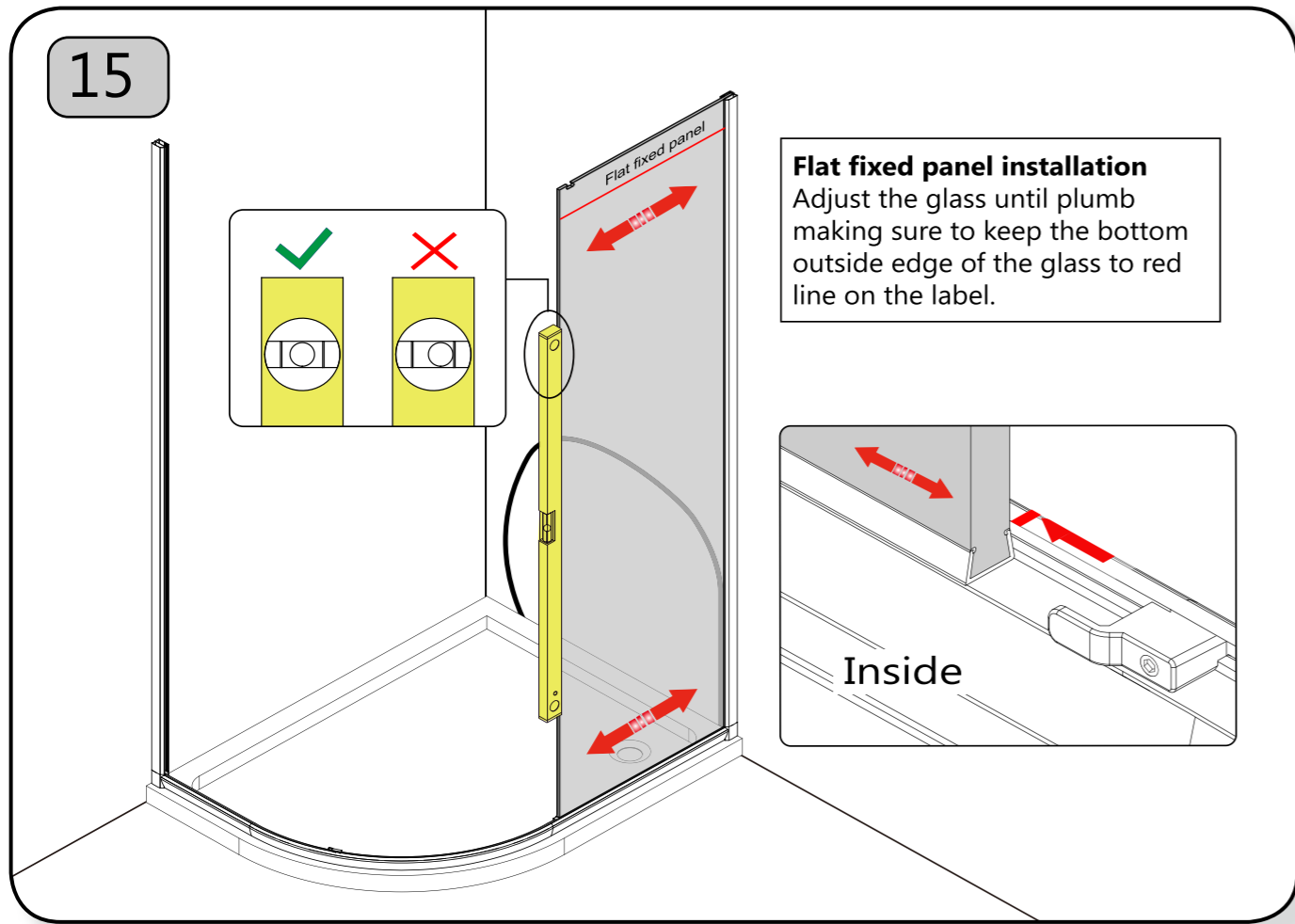
14

Flat fixed panel installation

14A. Ensure the flat side of the wedge gasket is to the glass and the side with fins is to the profile. Trim the end of the wedge gasket so it is straight.

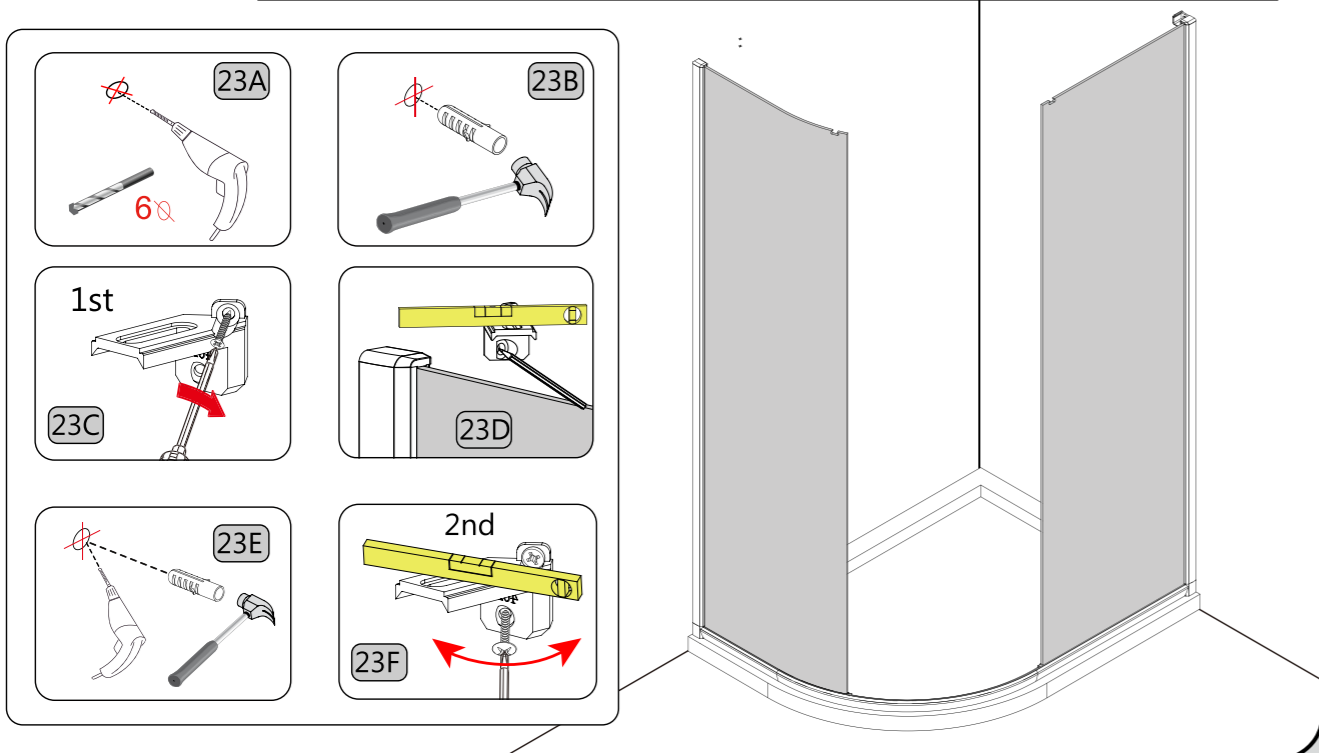
14B. Starting at the bottom insert the wedge gasket just 100mm – 200mm. DO NOT INSERT FULLY AT THIS STAGE !





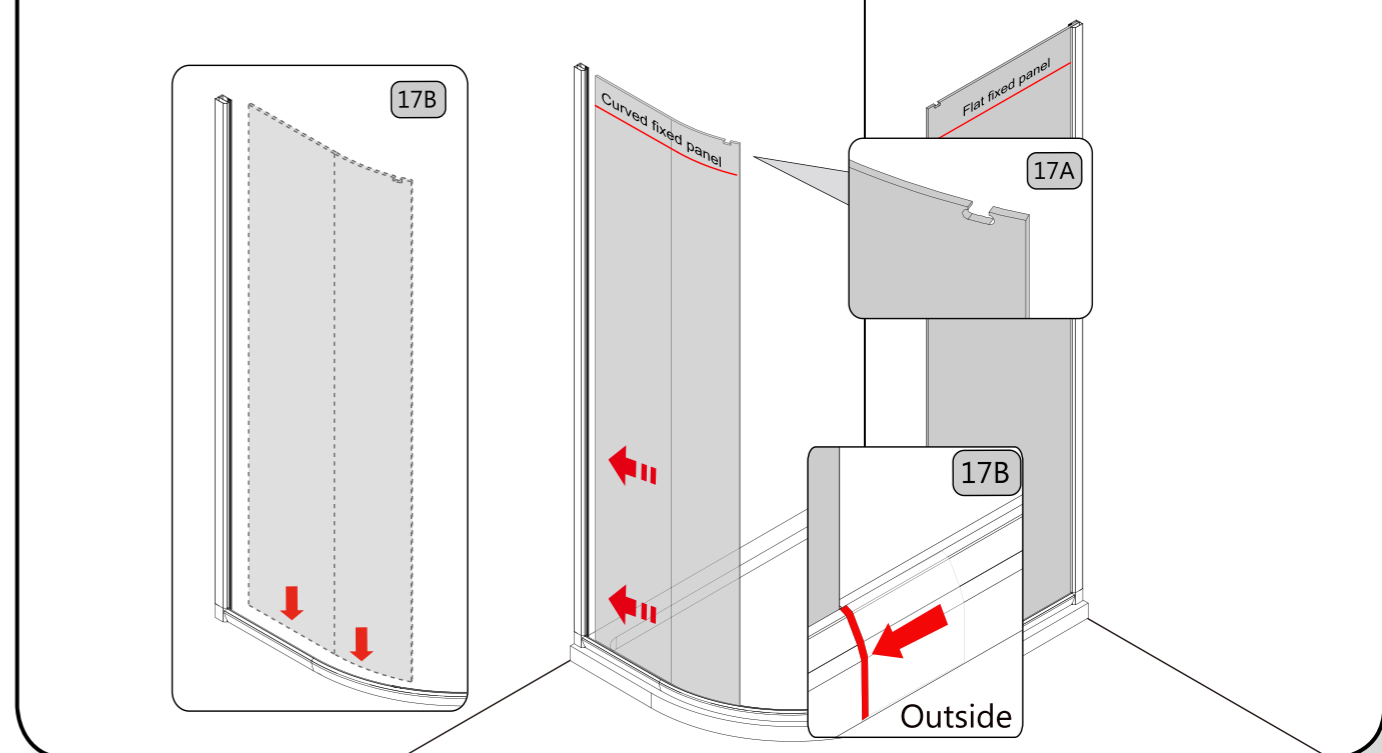
23

23A. Drill 6mm diameter hole.
 23B. Insert wall plug.
 23C. Fix the bracket to the wall through the top hole using the countersunk 4 x 40mm screw.
 23D. Level the bracket and mark the bottom hole.
 23E Remove the bracket and drill the bottom 6mm hole and insert wall plug.
 23F. Fix the bottom screw to the bracket using the 4 x 40 pan head screw.
Note: Check the bracket is level, adjustment is available in the bottom screw hole if necessary.



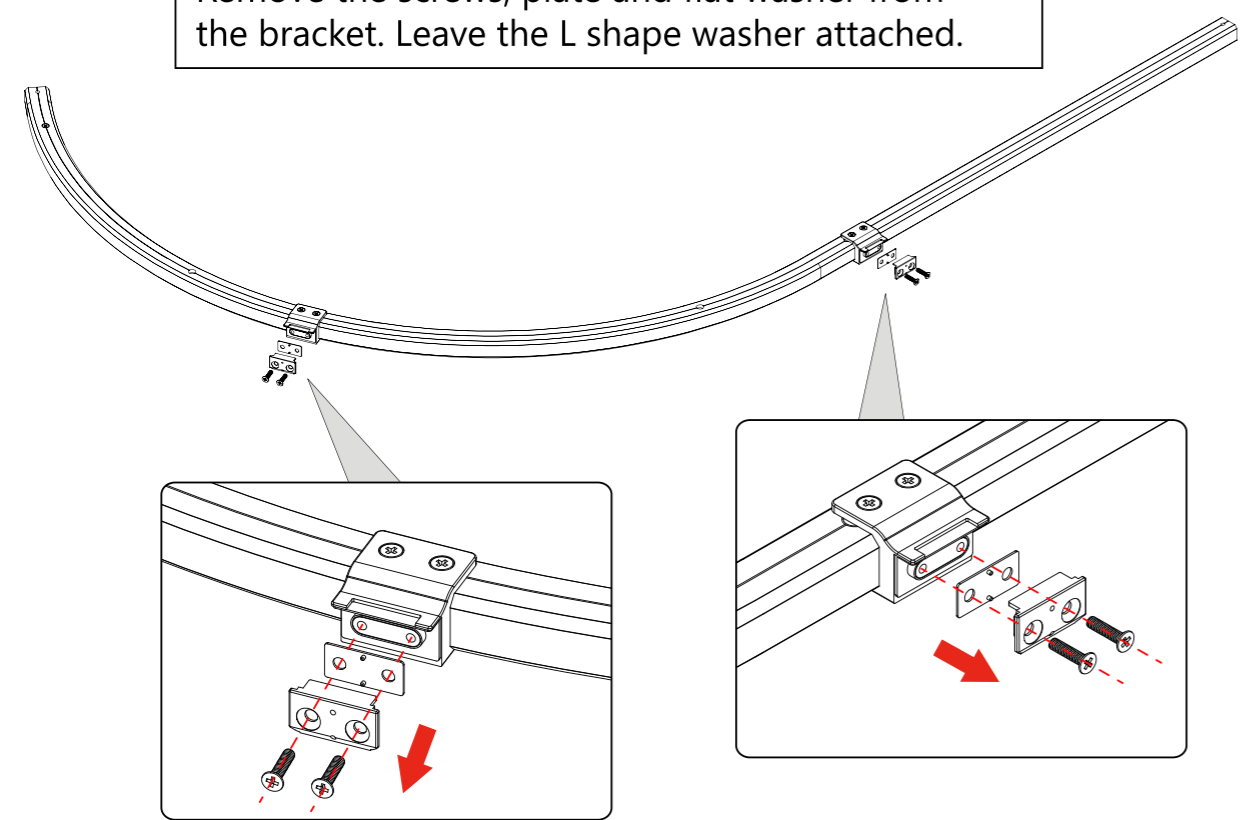
17

Curved fixed panel installation
 17A. Note the position of the slot in the fixed panel.
 17B. Lift panel onto the bottom profile and slide into the wall profile until the edge of the glass is aligned with the mark on the profile.
ATTENTION ! Make sure the bottom profile does not move while sliding the glass into place.



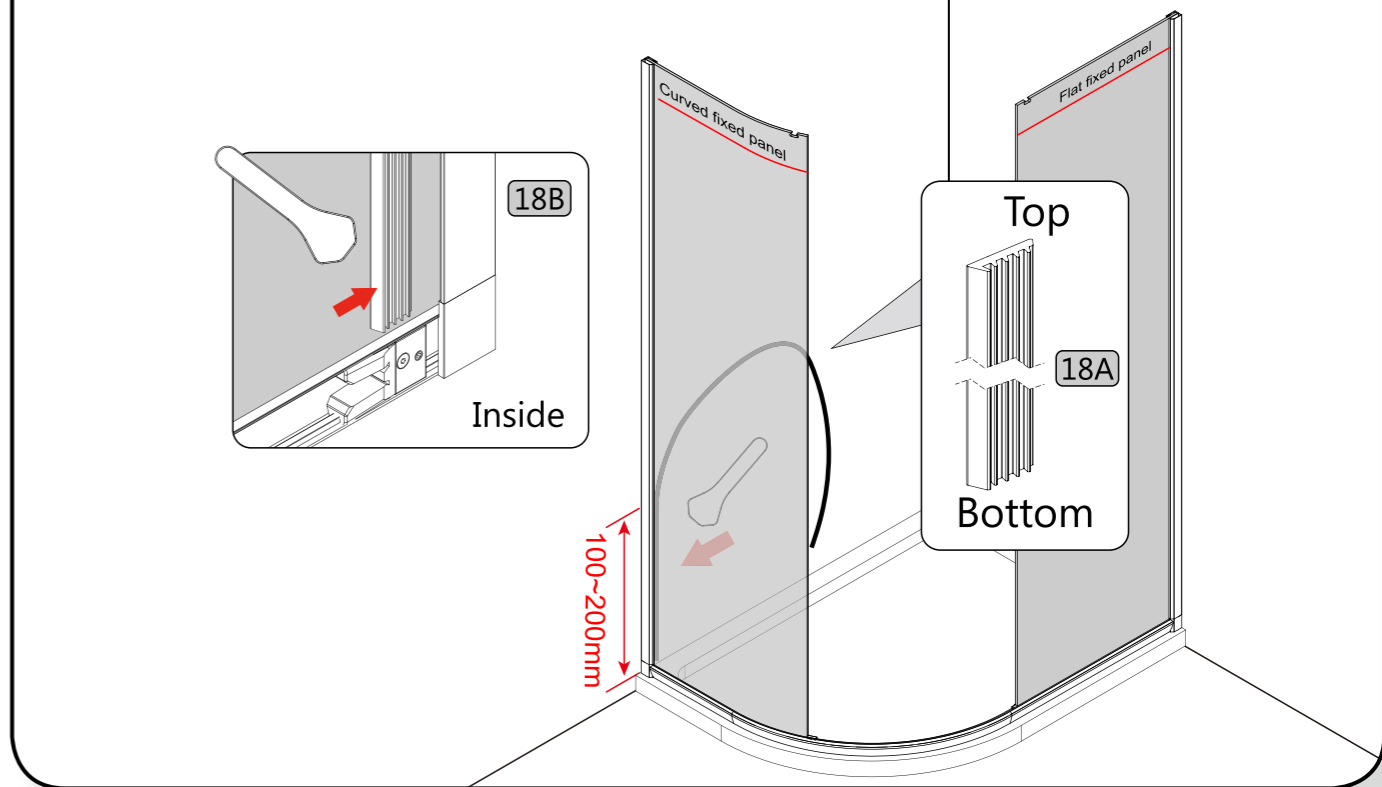
24

Remove the screws, plate and flat washer from the bracket. Leave the L shape washer attached.



18

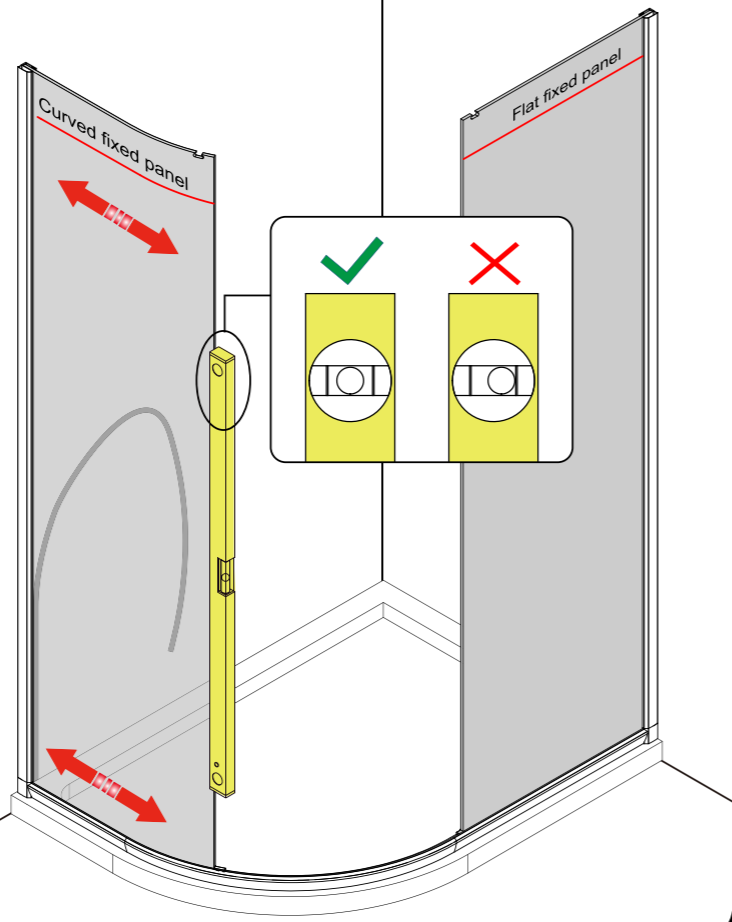
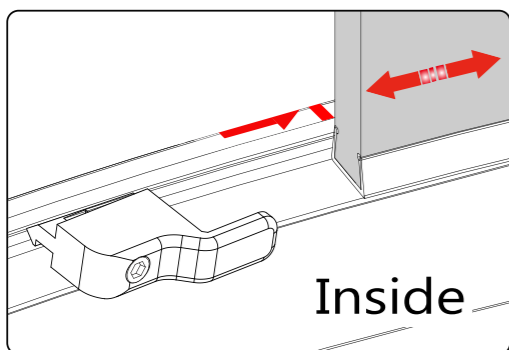
Curved fixed panel installation
 18A. Ensure the flat side of the wedge gasket is to the glass and the side with fins is to the profile.
 18B. Starting at the bottom insert the wedge gasket just 100mm – 200mm. DO NOT INSERT FULLY AT THIS STAGE !



19

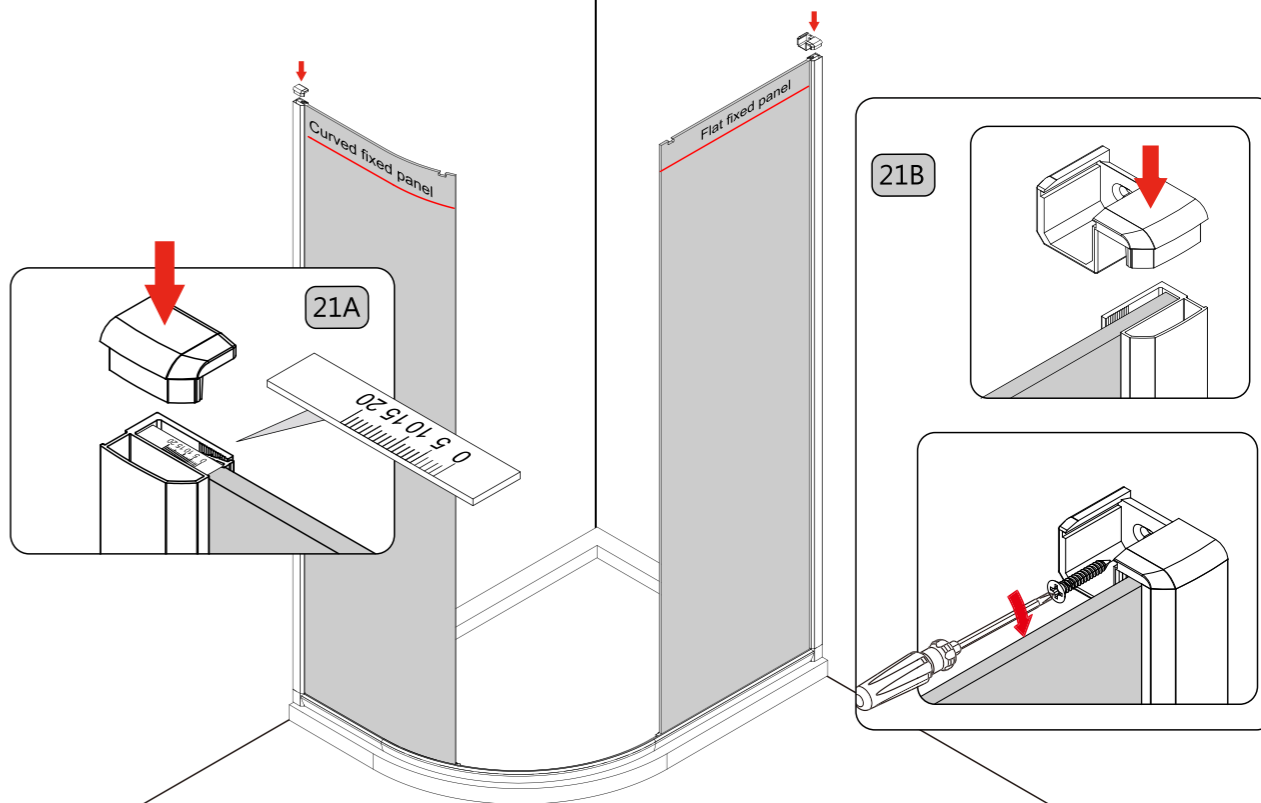
Curved fixed panel installation

Adjust the glass until plumb making sure to keep the bottom outside edge of the glass to the mark on the profile.



21

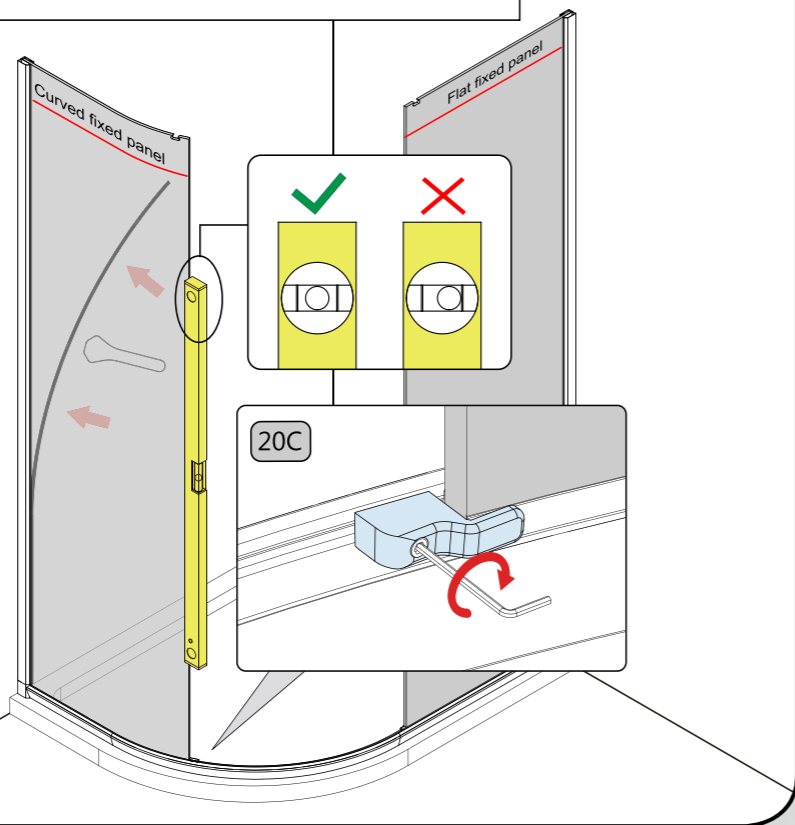
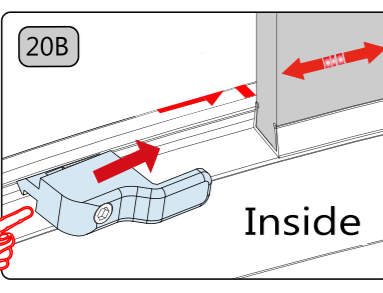
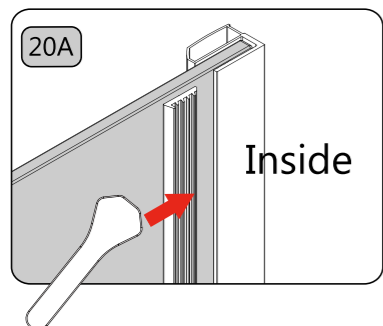
21A. Fit the cover cap to the wall profile of the curved fixed panel (with ruler label).
21B. Add the bracket to the wall profile of the flat fixed panel and fix using the 4 x 40mm countersunk screw.



20

Curved fixed panel installation

20A. Insert the wedge gasket fully making sure to keep the fixed panel plumb.
20B. Slide the clip over the glass
20C. Tighten grub screw.



22

22A. Fit the template card to the top of the curved fixed panel wall profile. Make sure it is seated correctly and completely level.
22B. Note the number on the ruler where it meets the edge of the wall profile.
22C. Mark the wall to the corresponding number on the template.

