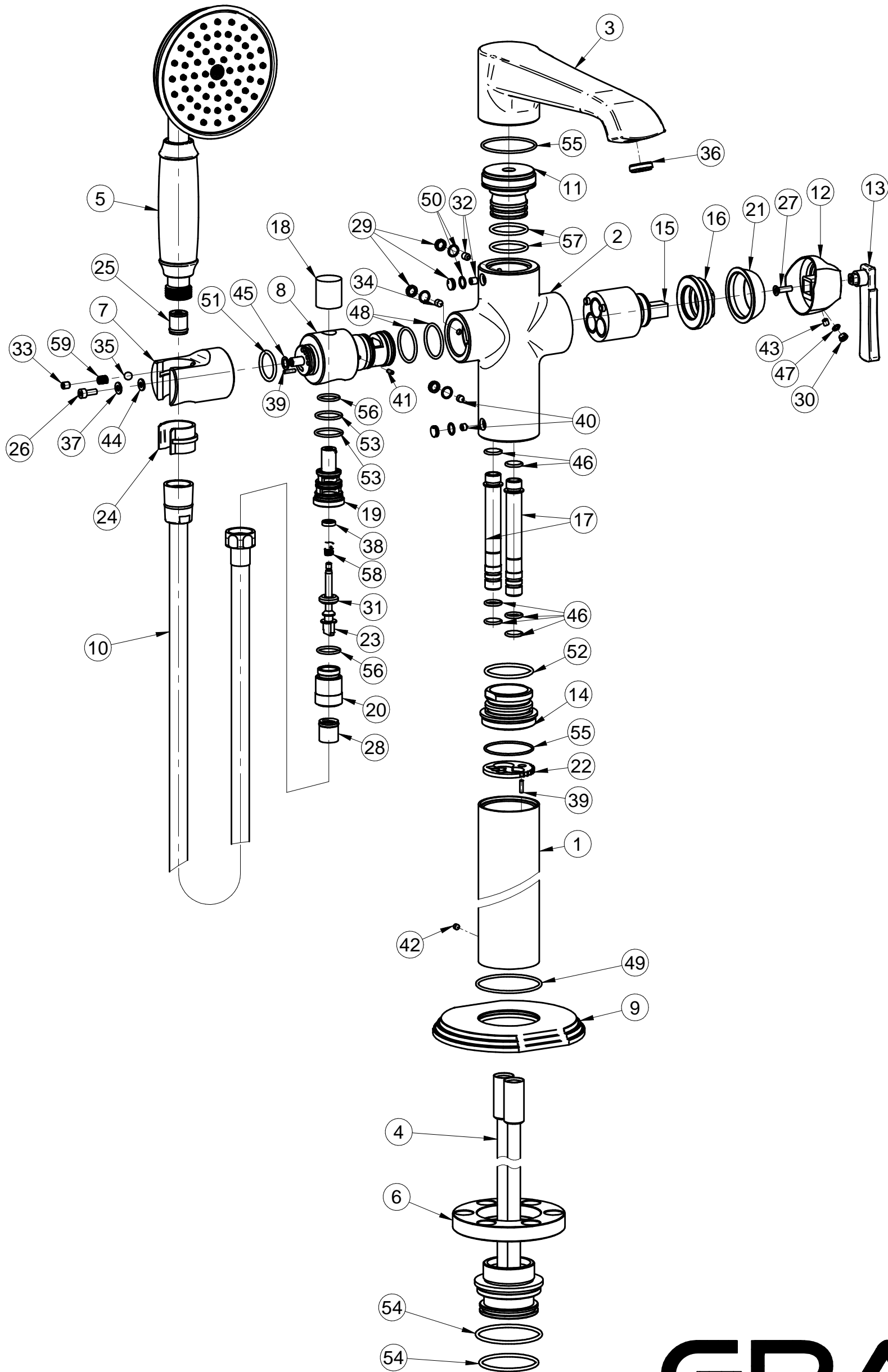


# 5187000

## Finezza UNO Series



**GRAFF**<sup>®</sup>  
CUTTING EDGE DESIGN