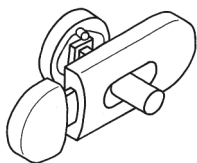
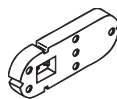


- Ⓓ Montageanleitung
- ⒼⒷ Installation instructions
- Ⓕ Montage
- ⒼⓁ Montage van
- Ⓘ Istruzioni di montaggio
- Ⓔ Montaje instrucciones
- ⒴ Instrukcja montażu



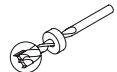
**850.300**  
**850.500**  
 Verriegelung  
 Locking system  
 Verrou  
 Vergrendeling  
 Serratura  
 Enclavamiento  
 Blokada



**BL850.300**



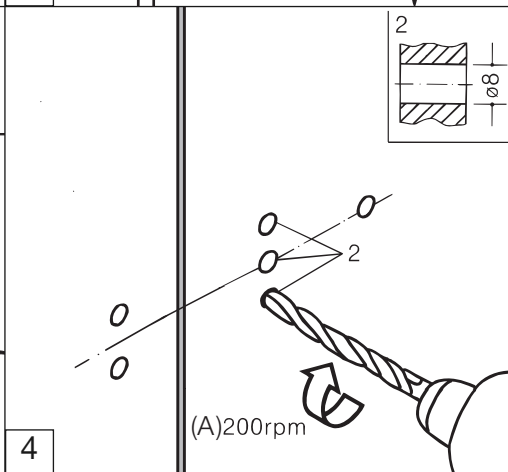
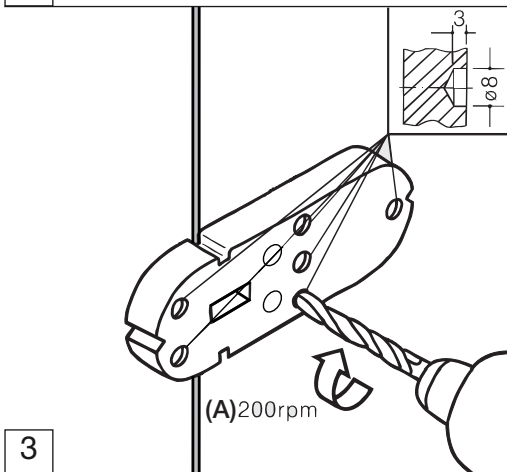
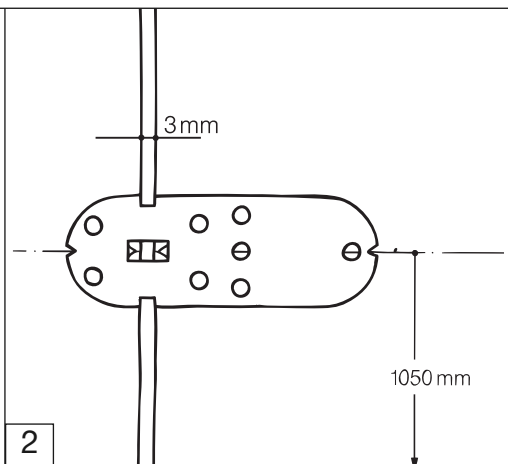
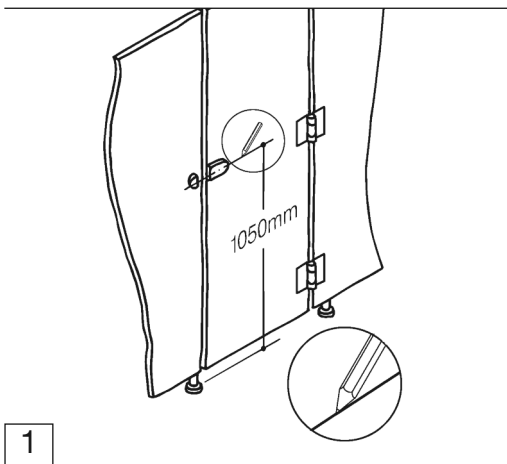
**ZF25**  
 ø 25 mm (C)

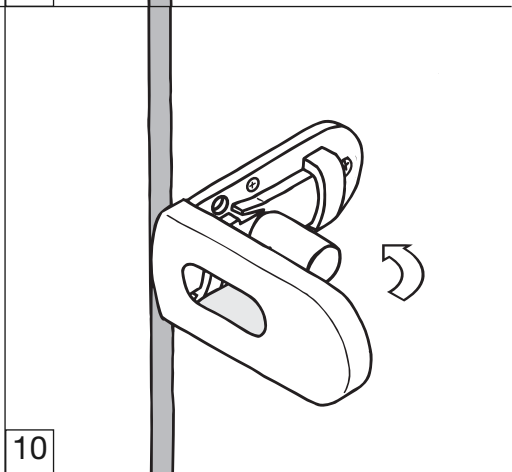
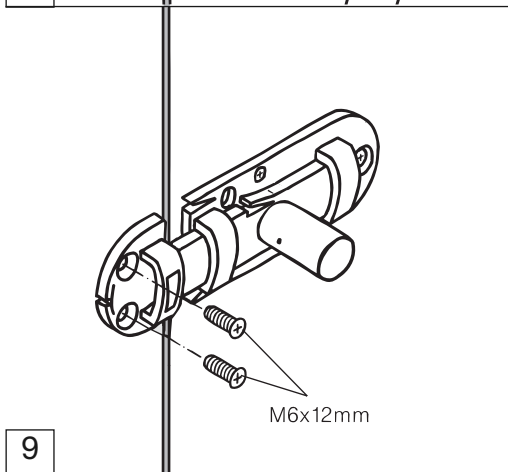
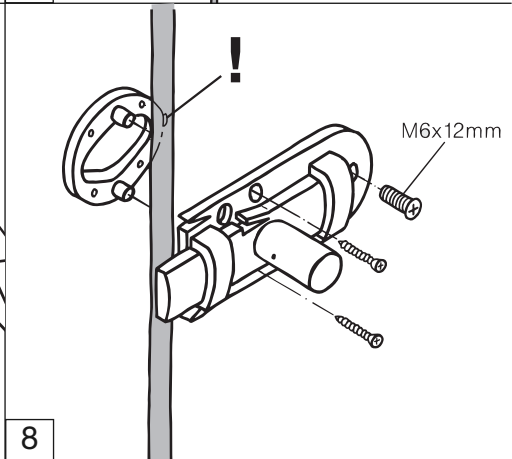
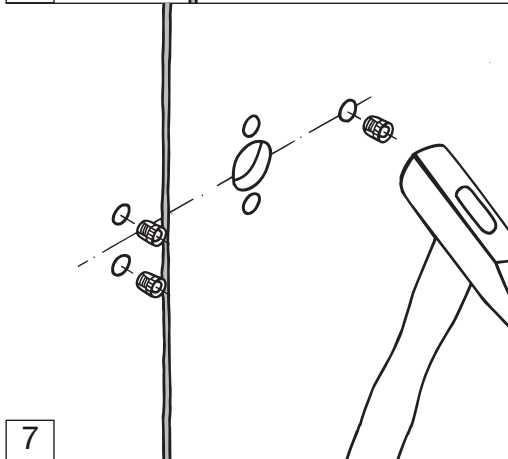
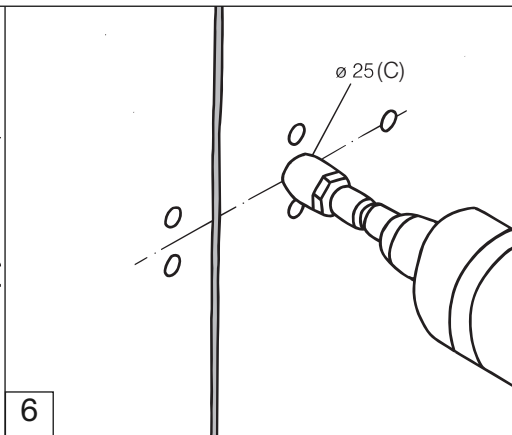
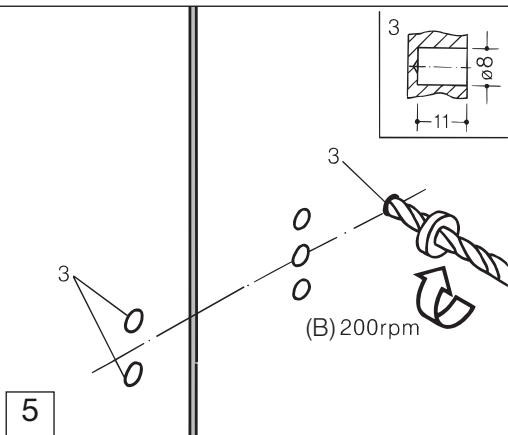


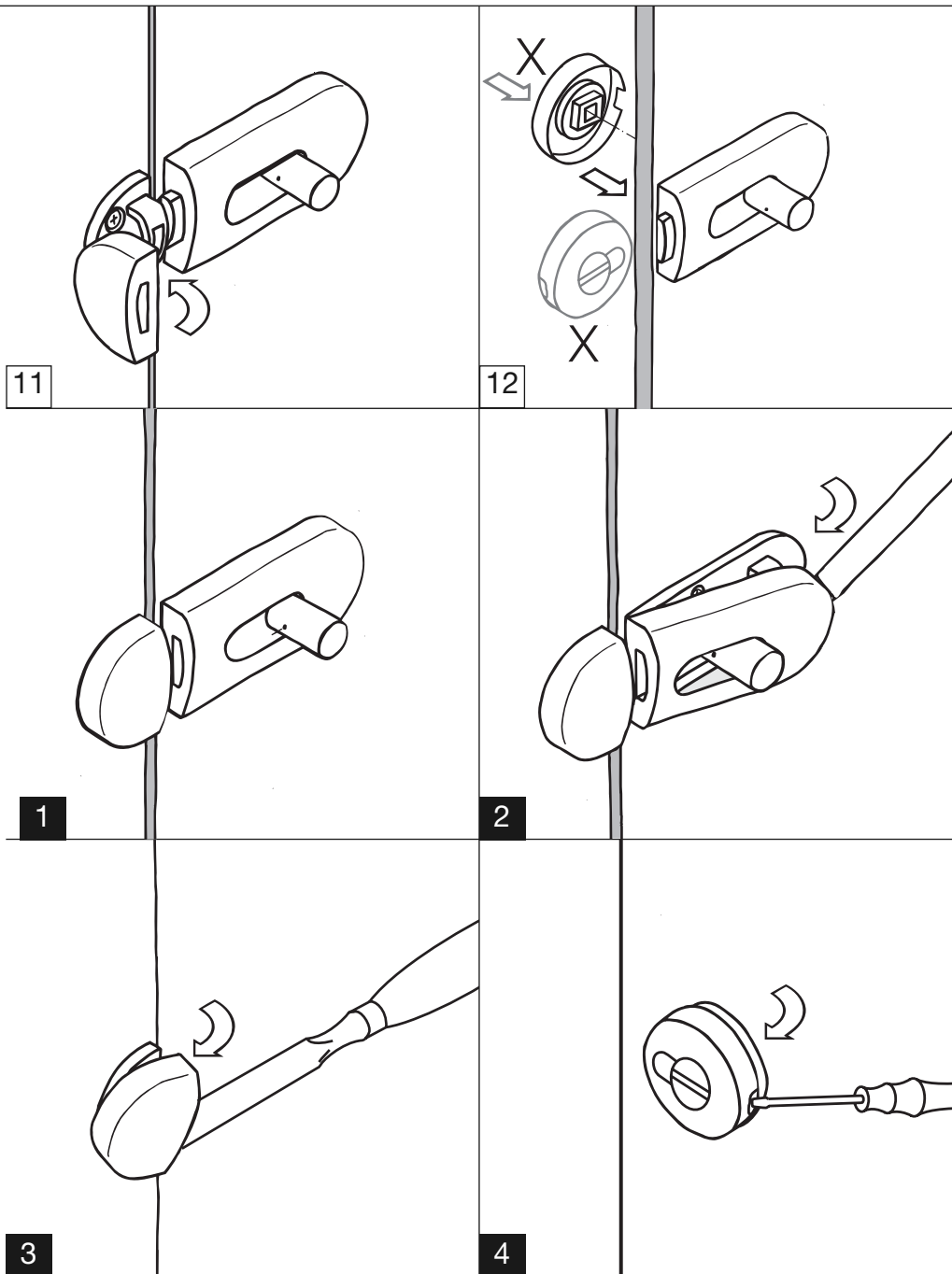
**171033**  
 ø 8 mm (B)

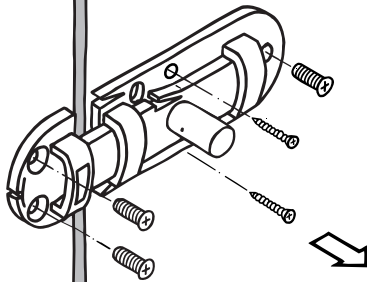


**171032**  
 ø 8 mm (A)









5

# HEWI

[www.hewi.com](http://www.hewi.com)

## Deutschland

HEWI Heinrich Wilke GmbH

Postfach 1260

D-34442 Bad Arolsen

Telefon: +49 5691 82-0

Telefax: +49 5691 82-319

[info@hewi.de](mailto:info@hewi.de)

[www.hewi.de](http://www.hewi.de)