

Sink Stripe 4505 050

Sinks

Code: 4505 050



DETAILS

Finish Foster brushed

Material AISI 304 stainless steel

Texture Foster brushed

Base 60 cm

Edge/Installation Type Flat Edge

Dimensions 603x513 mm

Standard fittings Fixing hooks, gasket, drain, overflow and siphon, boxed packing

Mixer holes 2 standard holes - 3rd and 4th holes on request

Built-in hole 570x480 mm

Drainer No

Bowl dimension 500x350mm

Notes: Preassembled seals

Number of bowls 1 bowl

Waste fitting Drain with automatic PM control

FEATURES

2nd / 3rd hole available The sink can be customized with the execution on request of additional holes, usable for double-hole mixers, for remote controlled drains or for the installation of soap dispensers. The positions are marked on the drawings with dotted line holes.

Basket 3,5" waste fitting The drain is equipped with a large 3.5" drain, with the practical basket cap that prevents the discharge of solid parts. The 3.5 "drain allows the use of the Foster waste-disposer, compatible with all models.

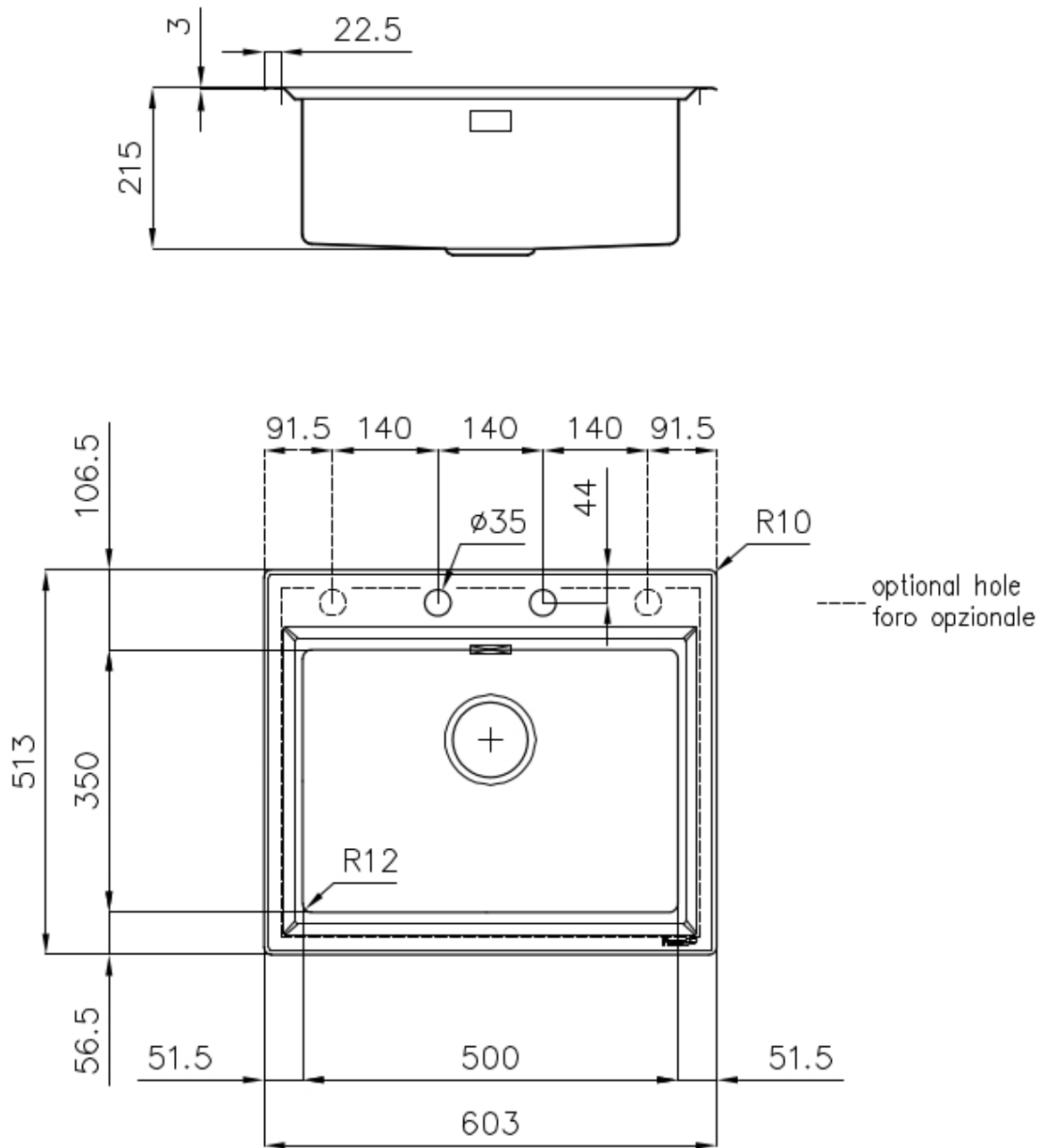
Deep bowls This bowls reach an important depth, over 20 cm, thanks to the advanced production technology, that can be offer great capiciency and practicity in all the washing operations.

High thickness 1mm thick steel. A significant thickness, which guarantees the maximum sturdiness and durability.

Perimetral overflow The overflow is always a security on the Foster sinks that prevents the overflow of water in case of oversights. The perimeter drain solution improves aesthetics thanks to its square and essential shape.

Small radius Bowls with squared shapes with a modern design and an increased capacity, for a minimal aesthetics connected with an extreme practicity.

TECHNICAL DATA



EQUIPMENT

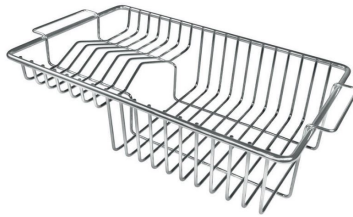


Automatic waste fitting 8407 113

OPTIONAL ACCESSORIES



Chopping board 8643 117



Stainless steel plate rack 8100 305

RECOMMENDED PAIRINGS



Mixer Tap Milanello 8425 100



Mixer Tap NYC 8486 000