

**EB1582**

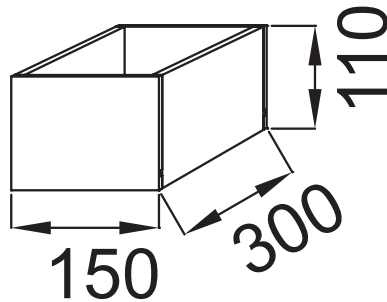
**Collection:** NOUVELLE VAGUE



### Features

- DIMENSIONS: 15 x 30 x 11 cm
- MATERIAL: Solid wood
- STORAGE: Accessoires pour meuble
- WEIGHT: 0.9 kg
- INSTALLATION TYPE: Wall-mount

### Technical drawing



Product Specification: Cube in solid ash wood. EB1582. Collection: NOUVELLE VAGUE. DIMENSIONS: 15 x 30 x 11 cm. WEIGHT: 0.9 kg. MATERIAL: Solid wood. INSTALLATION TYPE: Wall-mount. STORAGE: Accessoires pour meuble.