



## Modern Farm

One-light sliding sconce  
**K-23667-SC01**

### Features

- Suitable for any living space, allowing you to create a cohesive design aesthetic throughout your home.
- Candelabra base (E12) socket, works best with type G16.5 white, clear or Edison bulbs (sold separately).
- With the integrated ball joint, move shade to cast light up, down, left or right.
- Suitable for damp locations, per UL 1598.

### Material

- Shade swivels, enabling you to direct light where you need it.
- Design offers additional height options.
- Manufactured with quality materials and complimented with a meticulous finishing process.
- Durable finishes engineered to last and designed to match KOHLER faucet finishes.



### Codes/Standards

UL 1598  
CSA C22.2 No. 250

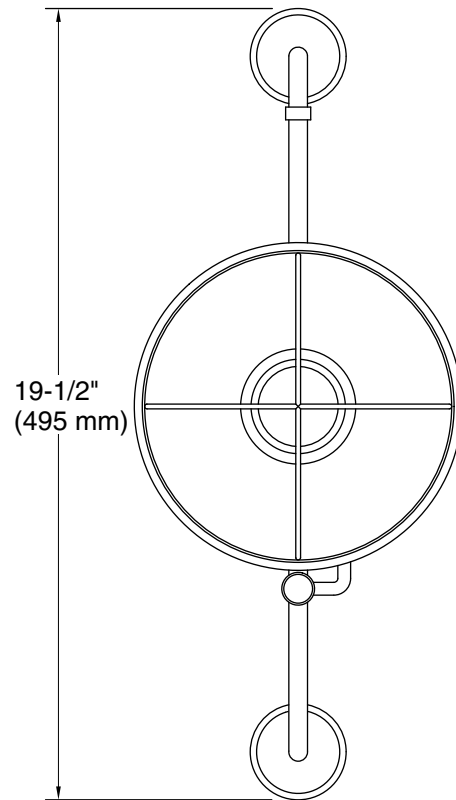
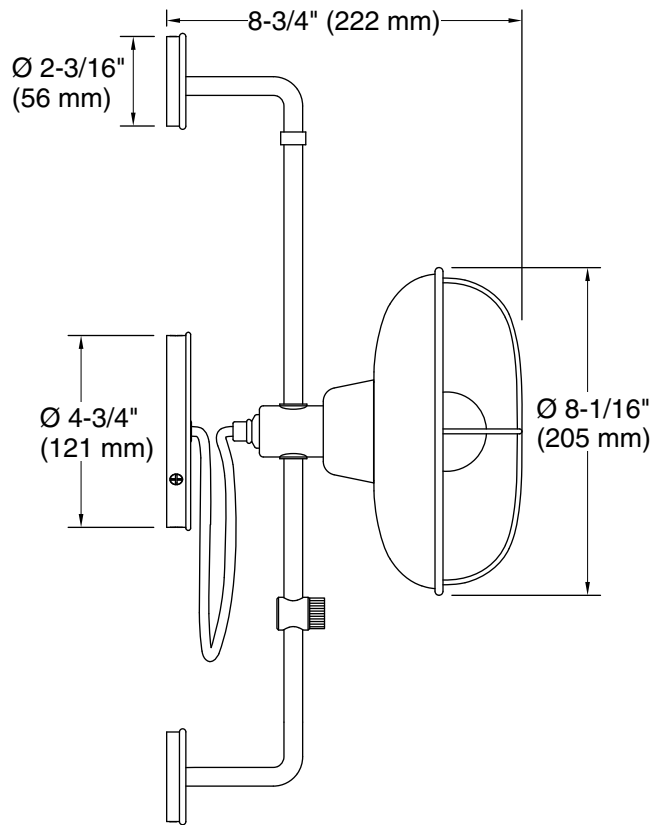
### KOHLER® Lighting Limited Warranty

See website for detailed warranty information.

### Available Colors/Finishes

*Color tiles intended for reference only.*

Color	Code	Description
	BGL	Moderne Brushed Gold
	CPL	Polished Chrome
	VNL	Valiant Nickel
	WHL	Matte White



### Required Electrical Service

One circuit required.

Lights: 120 V, 60 Hz

### Technical Information

All product dimensions are nominal.

Material: Steel

Number of Lights: 1

Lighting Type: Socket-based

Socket Type: E-12 Candelabra

Number of Shades: 1

Shade Type: Metal

Electrical component rating: Socket Rating: 60 Hz, 60 W