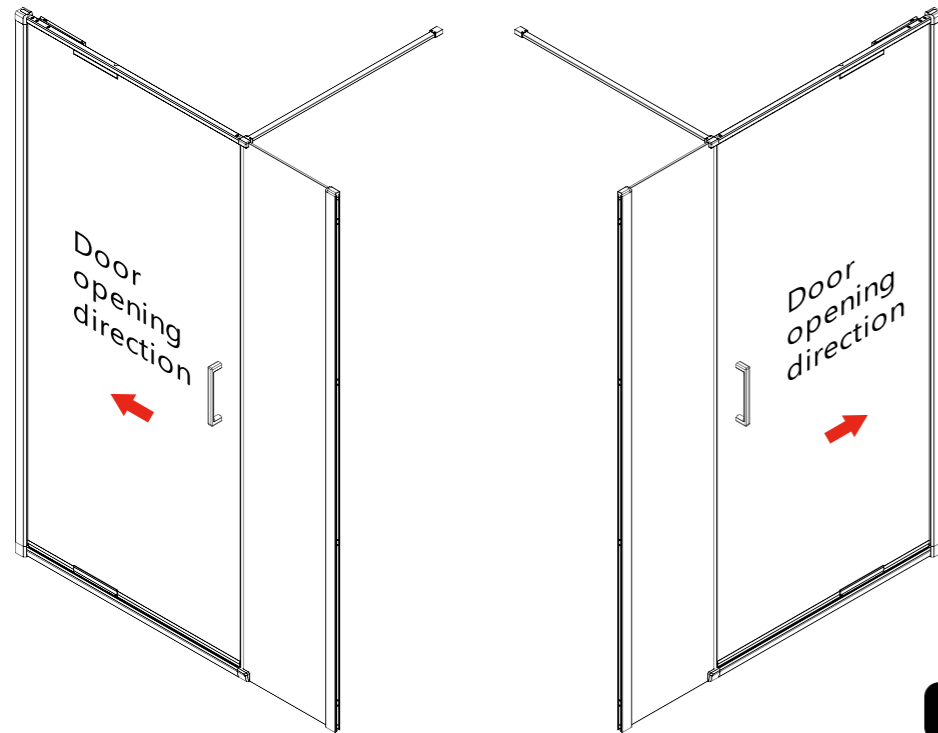
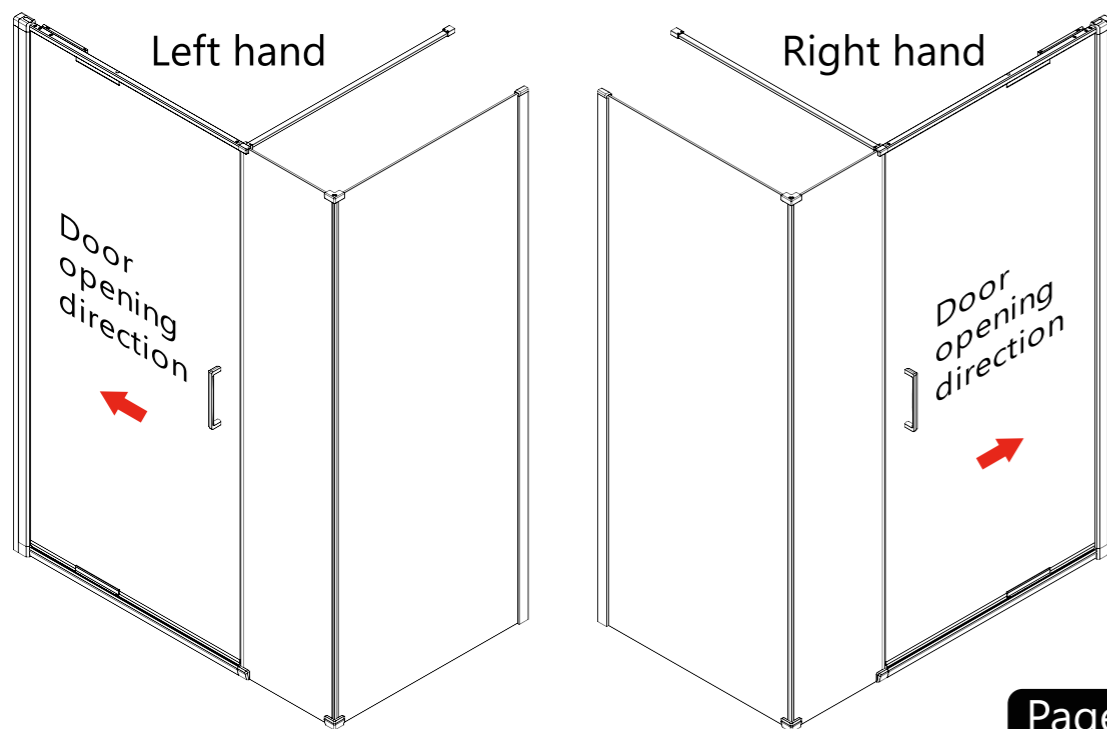


Installation Guide

INLINE PANEL



Pages 2-18



Pages 19-37

IMPORTANT:
Please read the complete instructions
before commencing fitting.

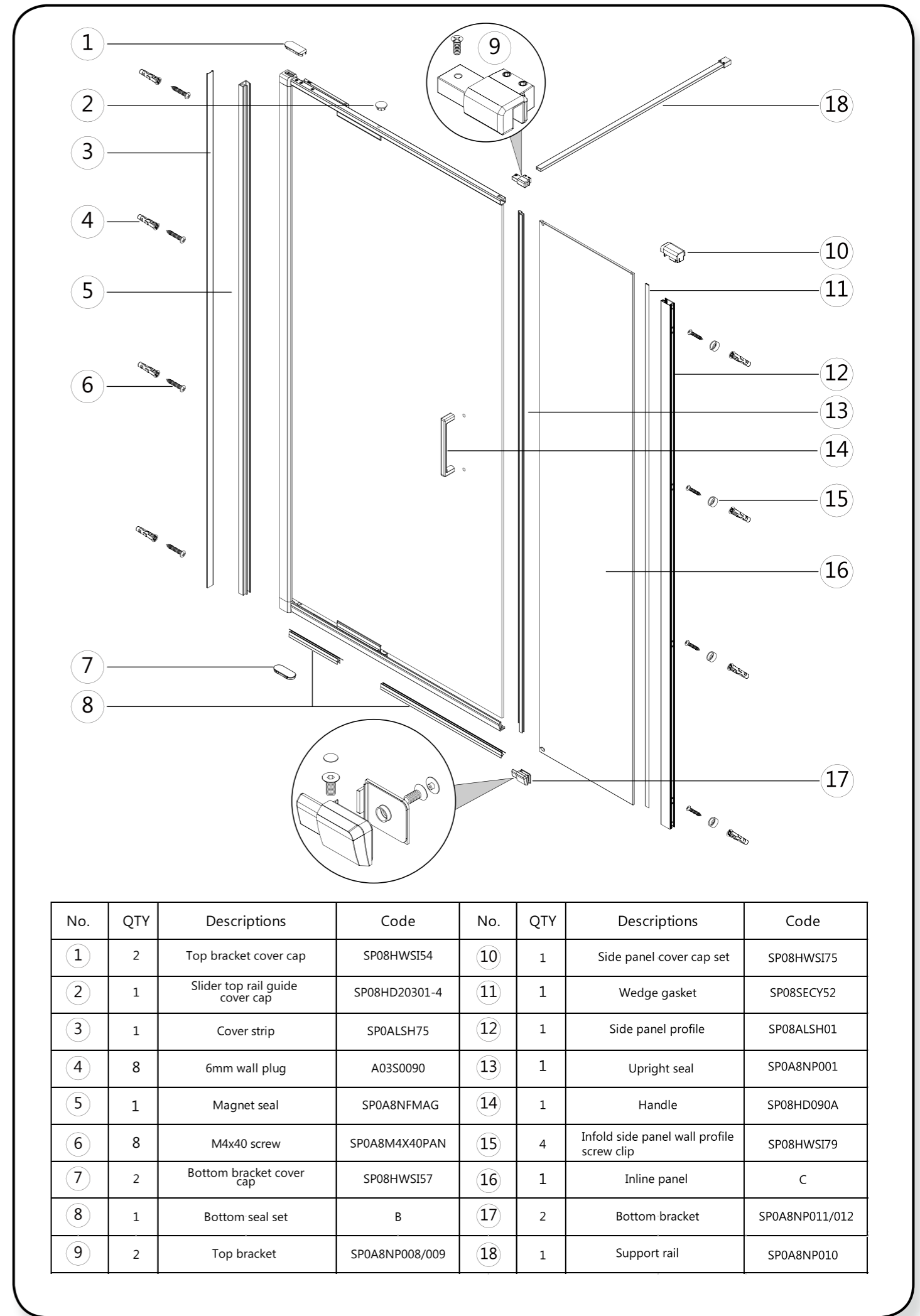
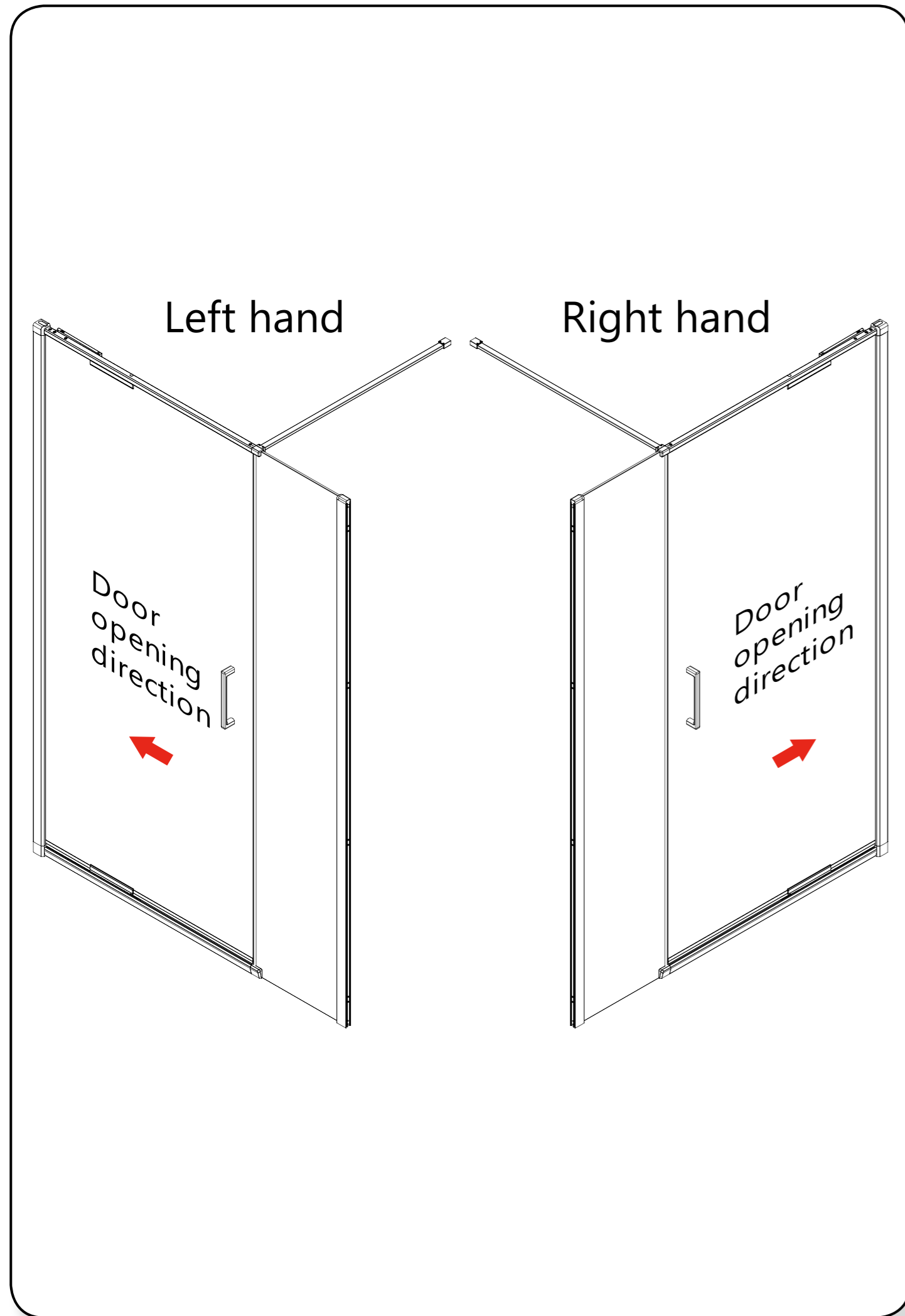
Make sure the tray is 100% level in all directions.
Do Not attempt to install the product unless you
can tick all 4 boxes satisfactorily.

- Check that you have the tools required
- Check the installation site is compatible with
the sizes of door supplied
- Check all the enclosure components are present
- Check the installation kit is complete

The wall plugs supplied with the installation kit are
for use in solid walls. Hollow or 'stud partition'
walls will require alternative fixings. Please consult
a hardware supplier for the correct type.

It may also be necessary to consult your tiling
supplier about the correct method for drilling your
tiles.

**ATTENTION: TAKE EXTREME CARE WHEN
HANDLING GLASS, WEAR PROTECTIVE EYEWEAR
AND CLOTHING. DO NOT LEAVE THE GLASS ON
HARD SURFACES AND AVOID CONTACT BETWEEN
THE GLASS EDGES AND HARD SURFACES OR
IMPACTS DURING THE INSTALLATION.**



Fixing Kit Components

SP0A8NP008 x1	SP0A8NP009 x1	SP0A8NP011 x1	SP0A8NP012 x1
SP08HWSI74AL/R x2	SP08HWSI73AL/R x2	SP08HD090A x1	
SP08ALLP07 x1	A10S0003 x1	A06S0062 x2	SP08HWSI79 x4
SP08HWSI54 x2	SP08HWSI57 x2	SP0A8NFCAP x1	SP08HWSI75 x2
SP0A8M4X40PAN x8	A03S0090 x8	M5x8 screw x1	M5x16 screw x1
SP0GMS0852 x1	SP0GMS0851 x1	8S1300611 x1	2.5mm, 3mm, 4mm

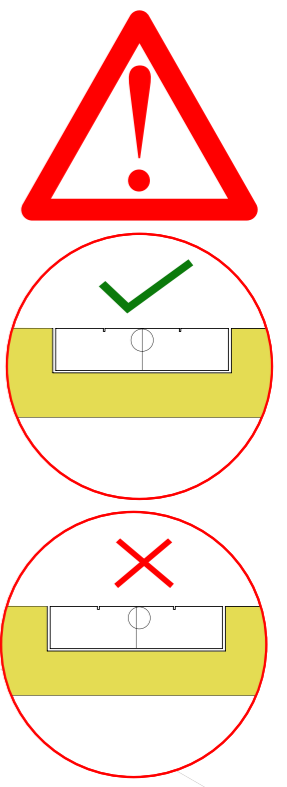
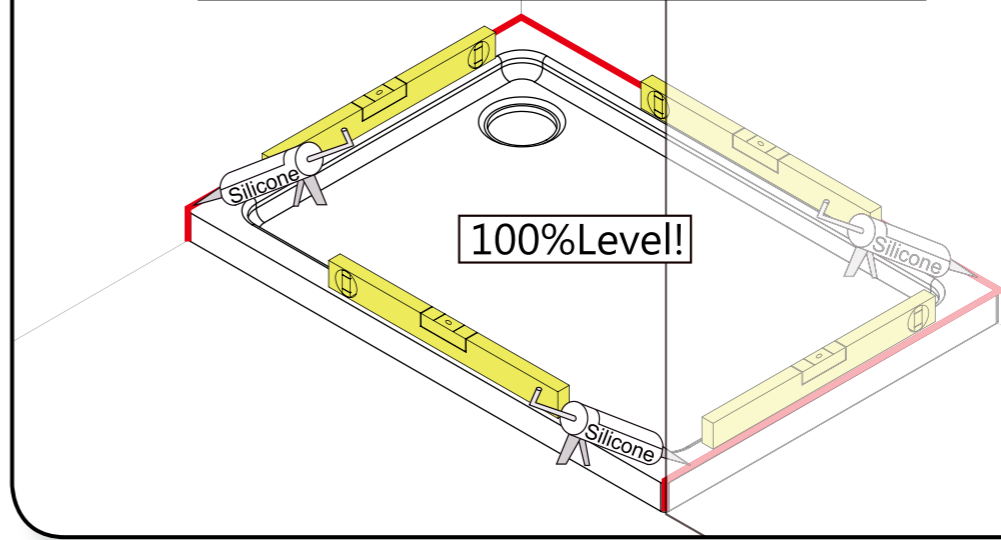
Tools required

1

Ensure the shower tray is level in all directions and is properly sealed to the wall. The wall must be tiled down to the top edge of the tray.

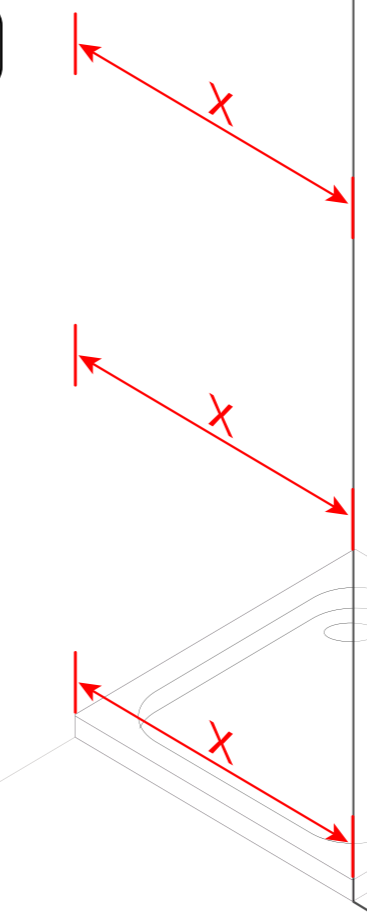
Do not angle out bottom tile.
TRAY MUST BE LEVEL IN ALL DIRECTIONS!

TRAY MUST BE SEALED FULLY AROUND WHERE THE TRAY MEETS THE WALL.

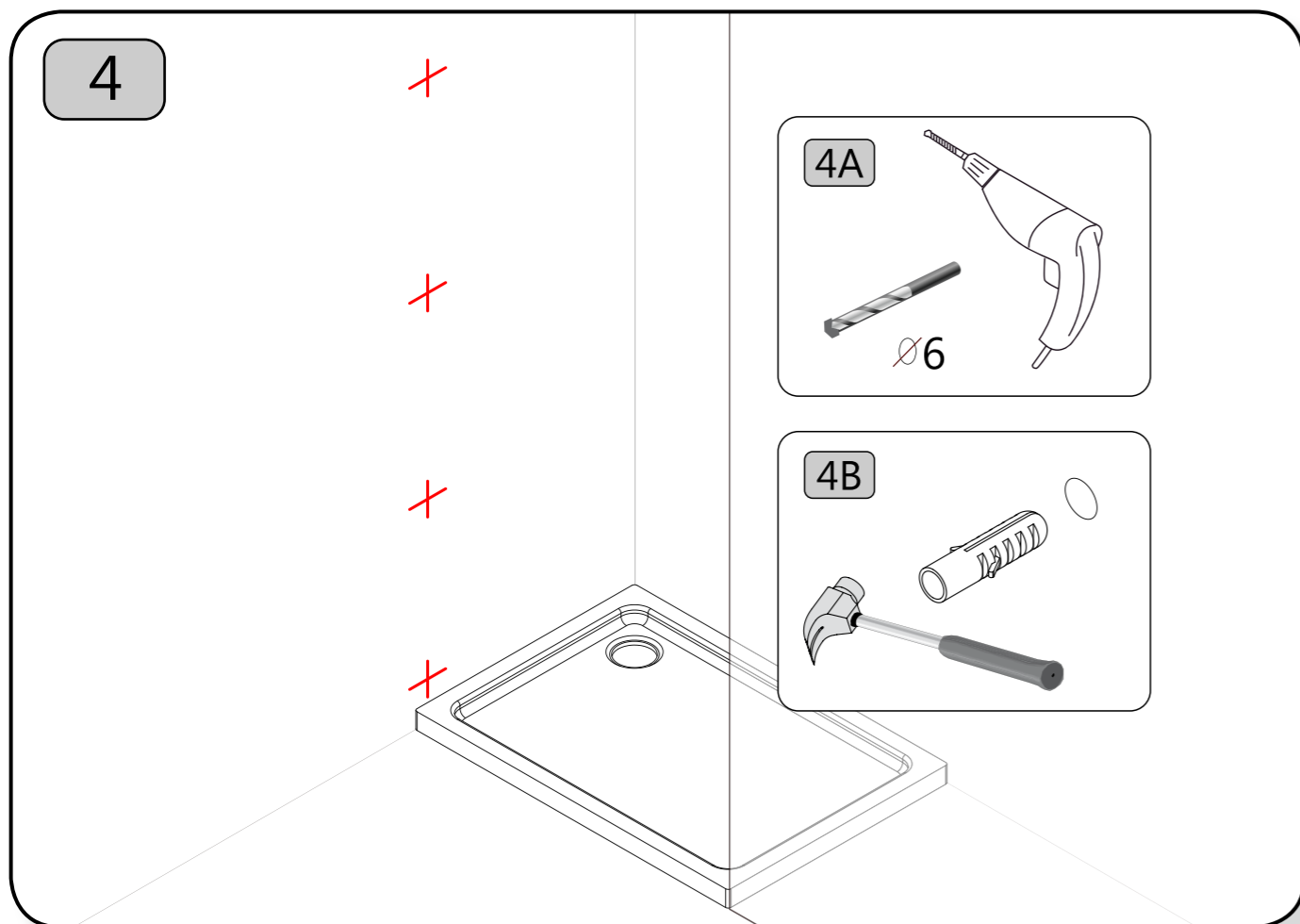
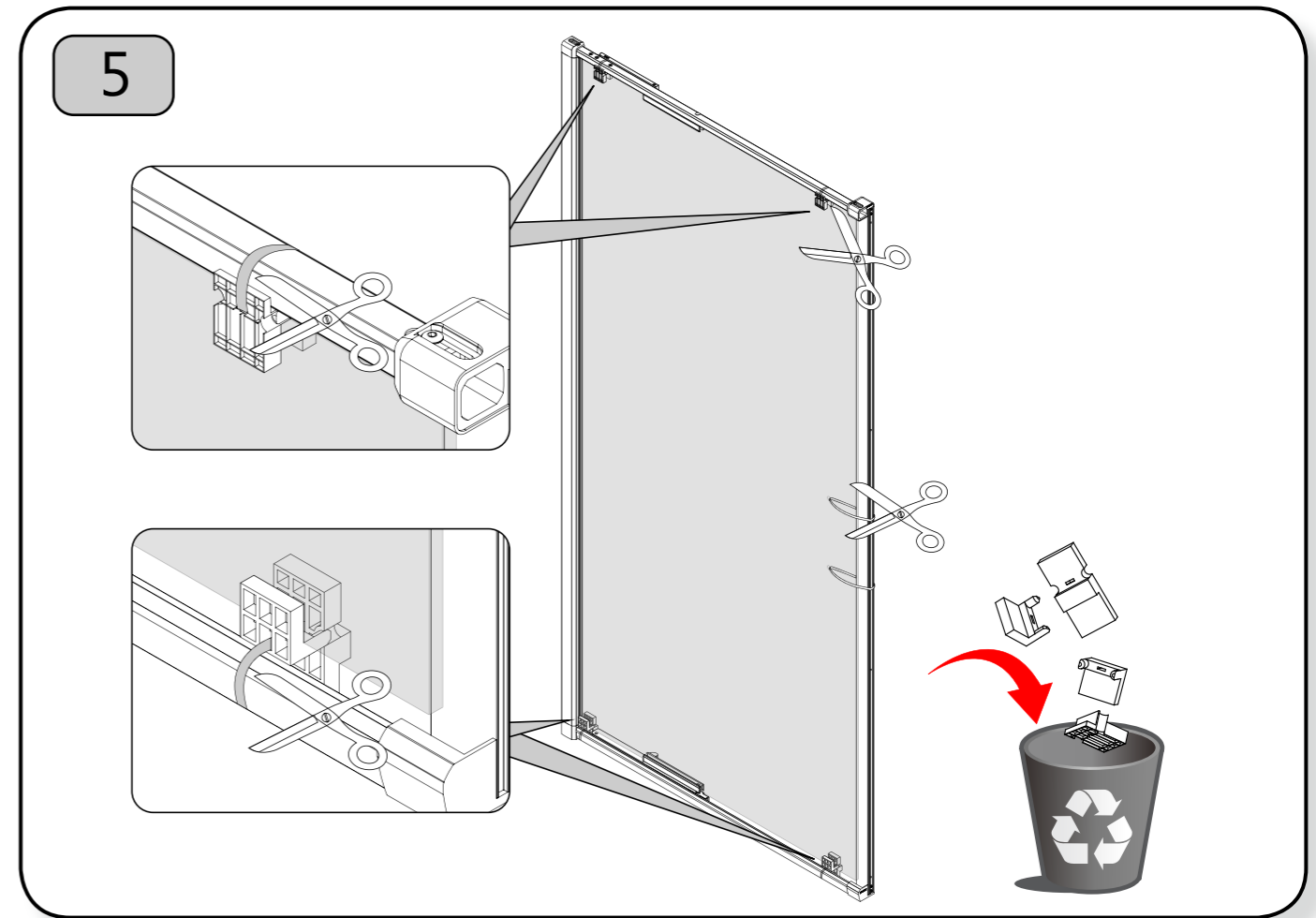
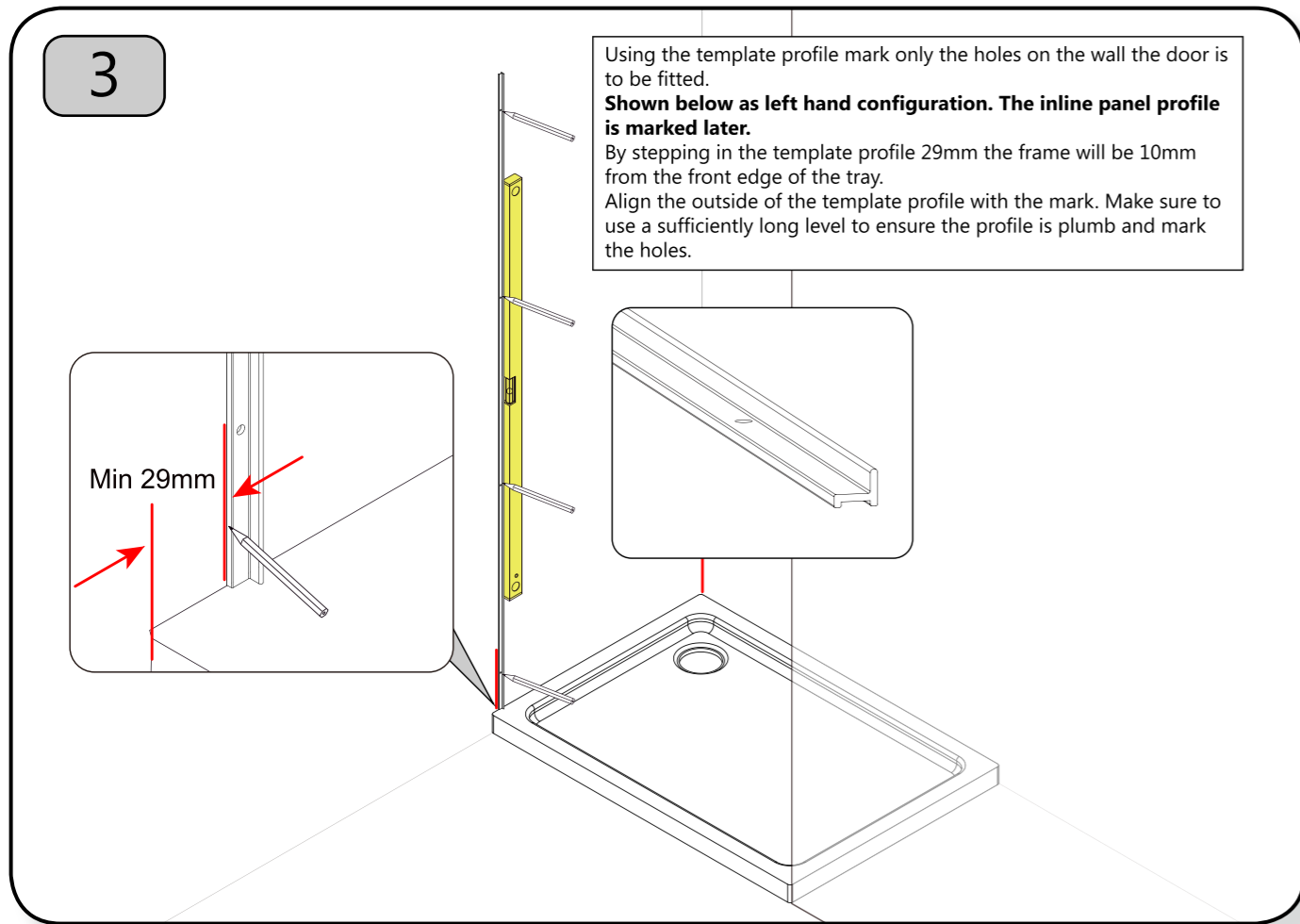


2

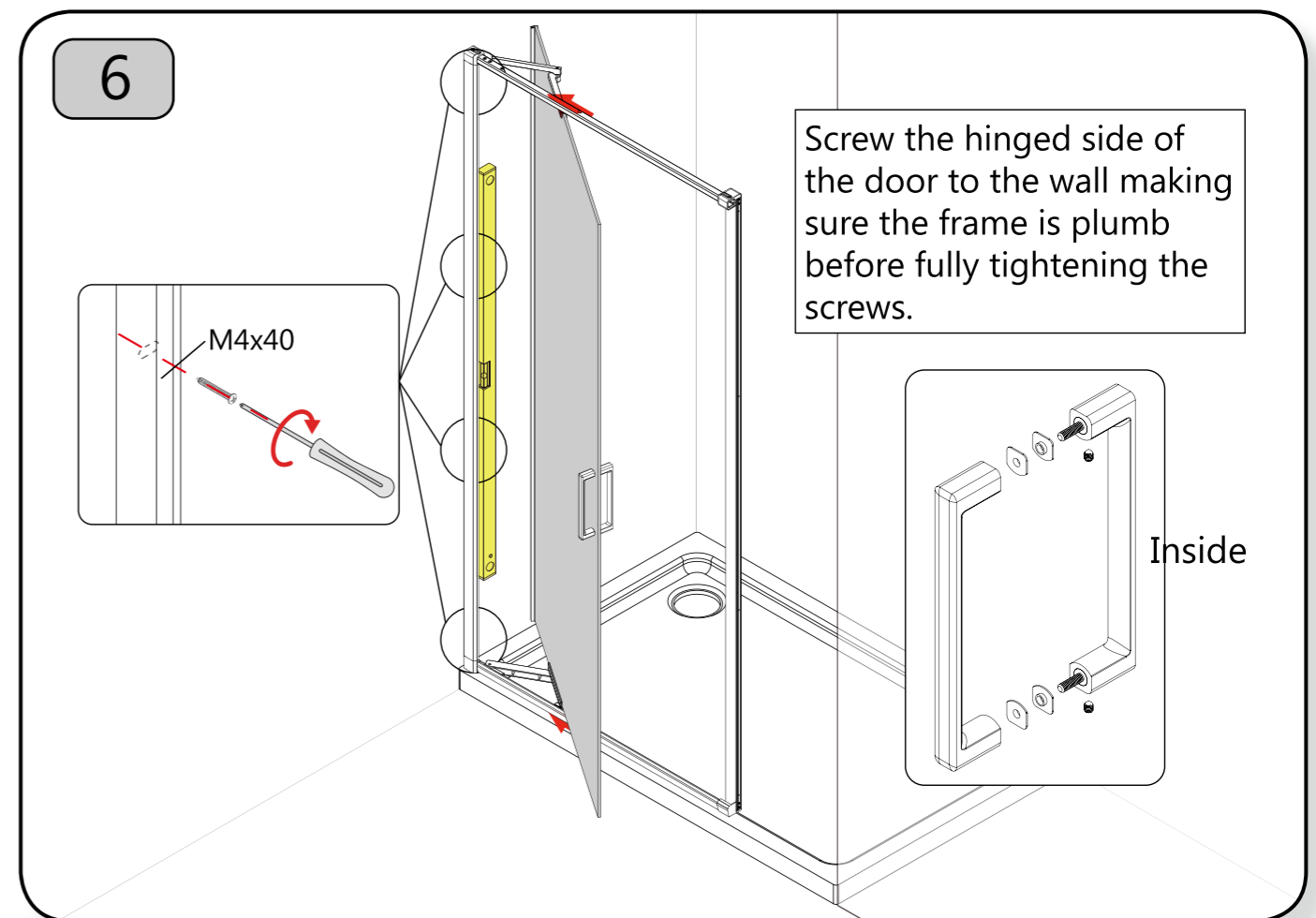
Check that the finished tiled area at top, middle and bottom is within the range of adjustment.



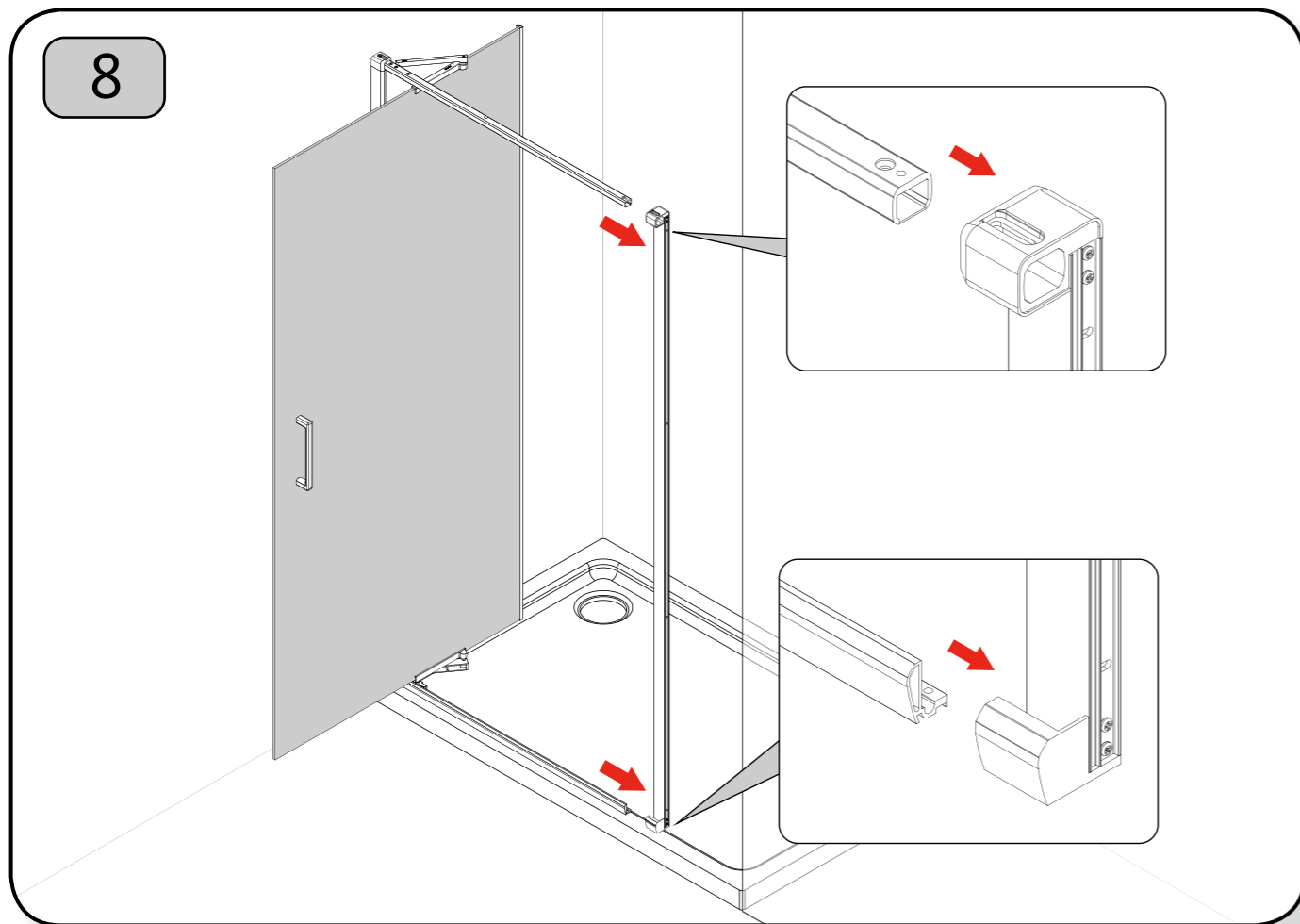
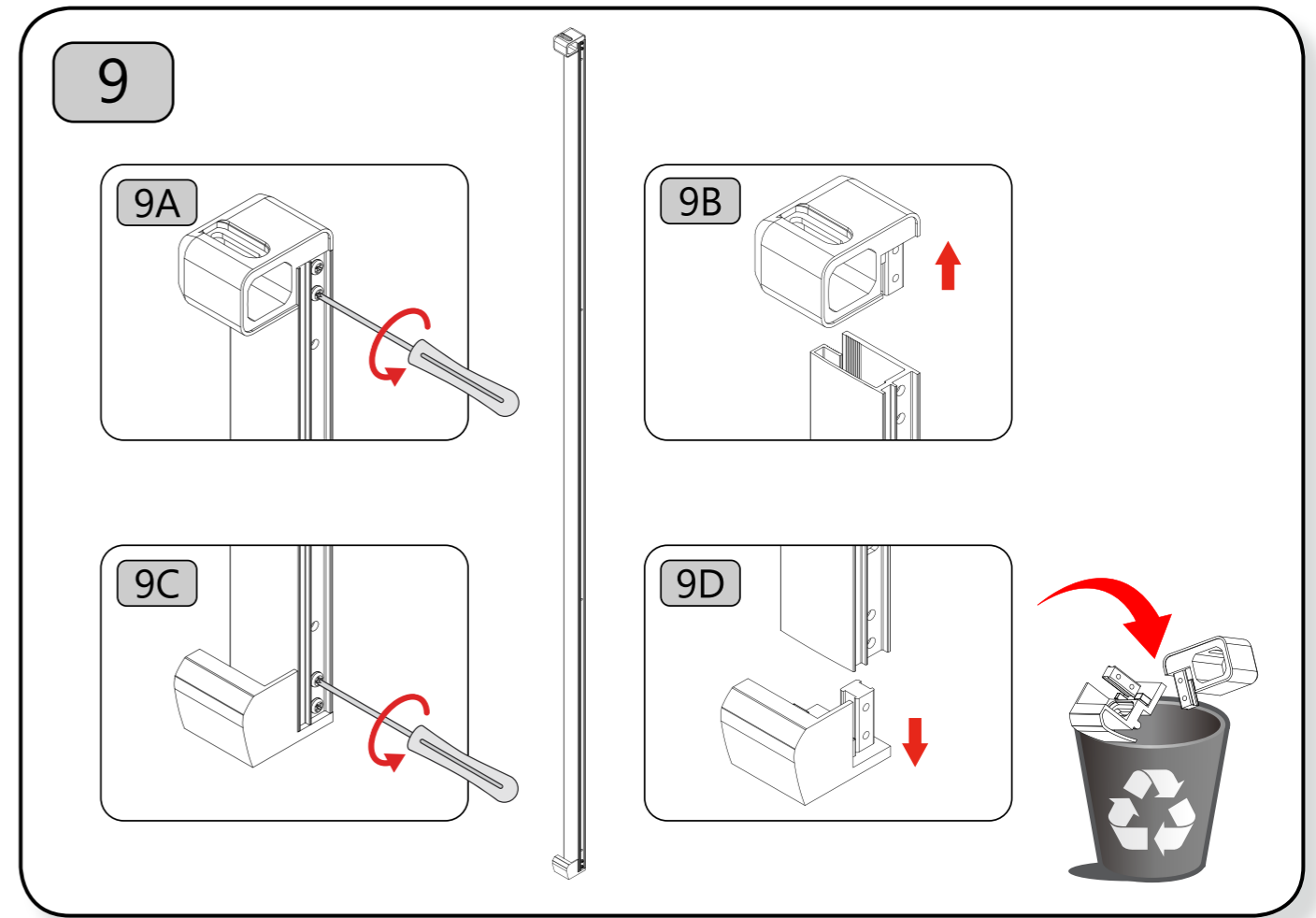
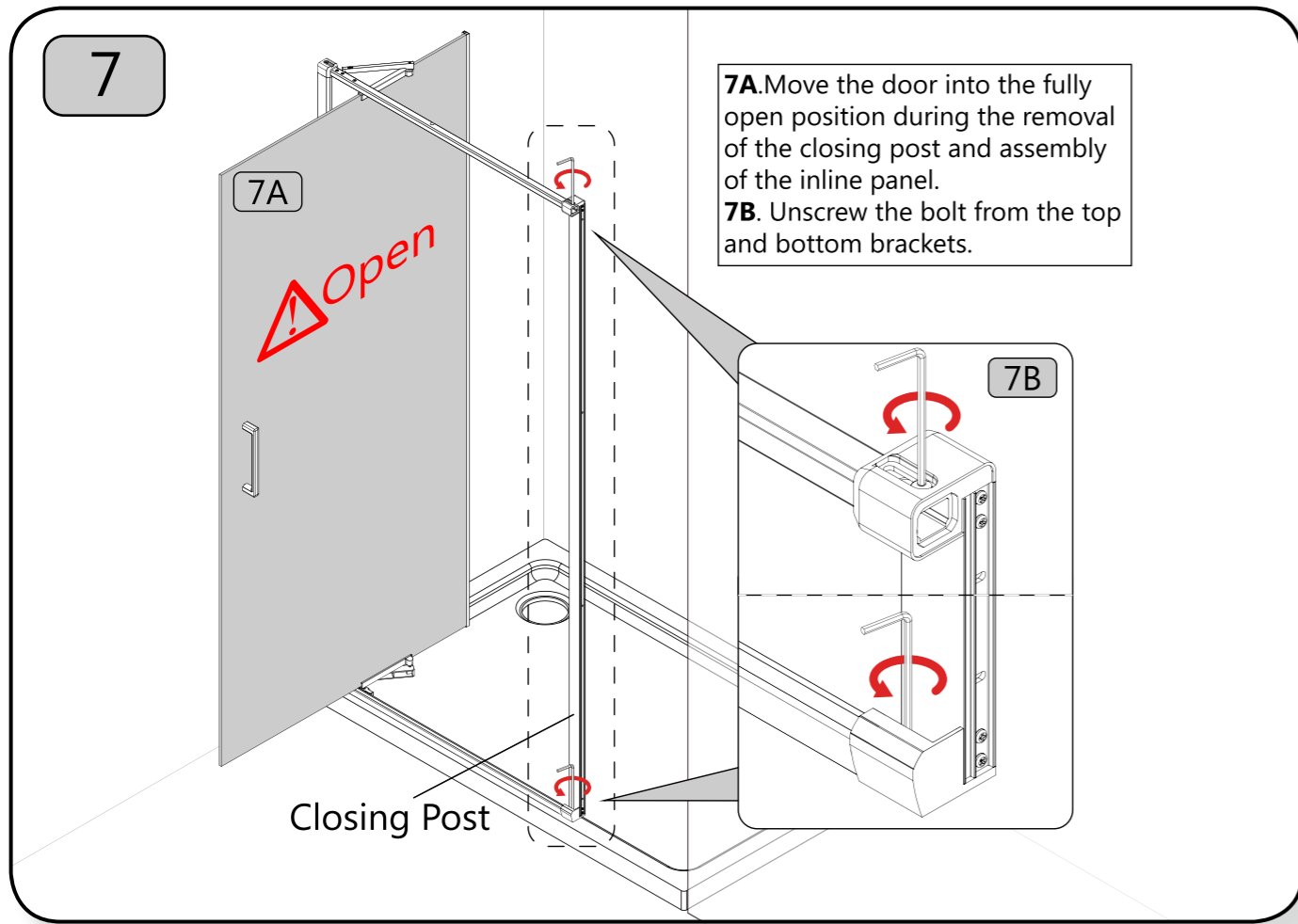
Total width	Door + Inline panel	X
1100	700+400	1060 - 1100
1160	760+400	1120 - 1160
1200	800+400	1160 - 1200
1300	700+600/900+400	1260 - 1300
1360	760+600	1320 - 1360
1400	800+600/1000+400	1360 - 1400
1500	900+600	1460 - 1500
1600	1000+600	1560 - 1600



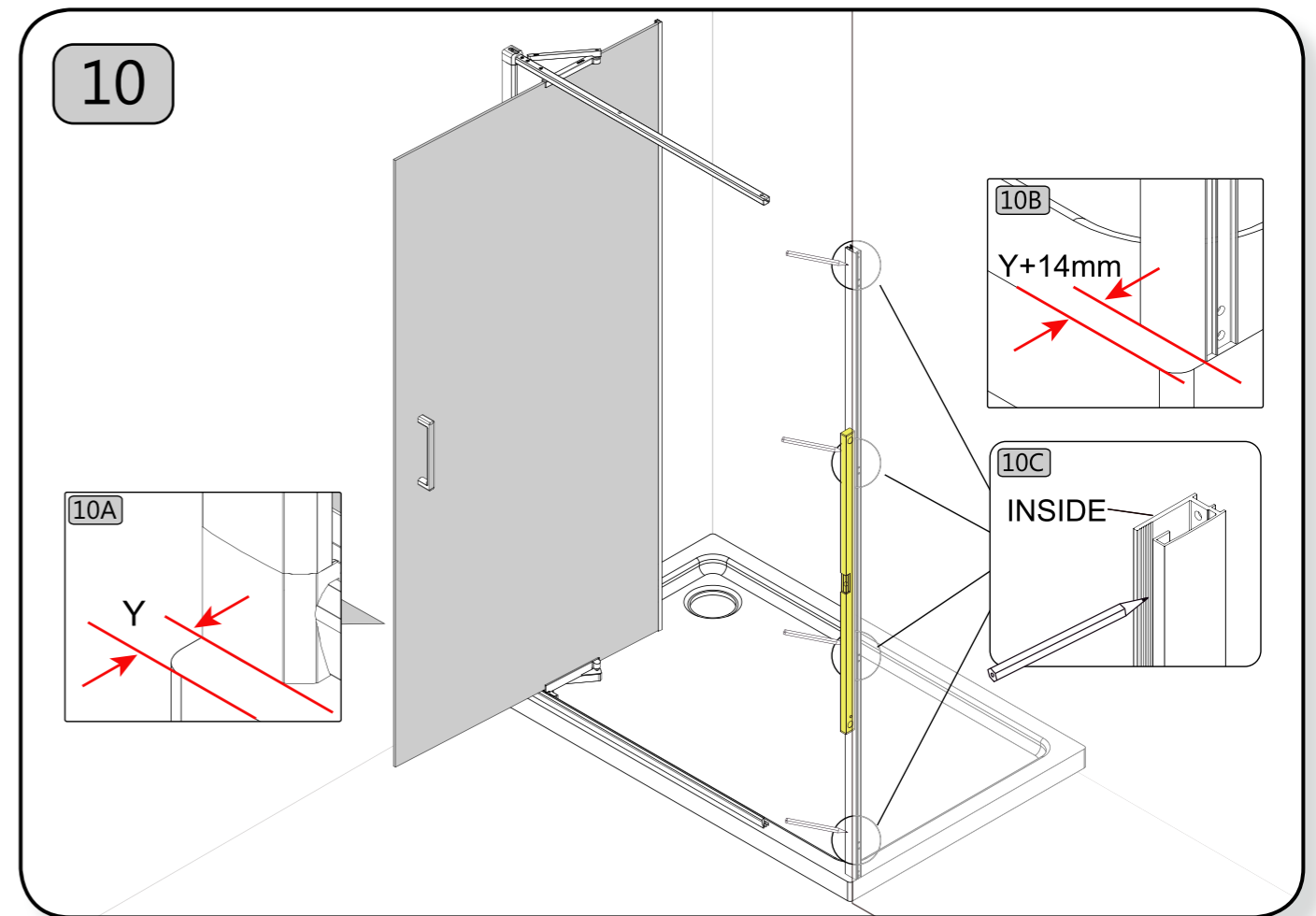
6.



7.

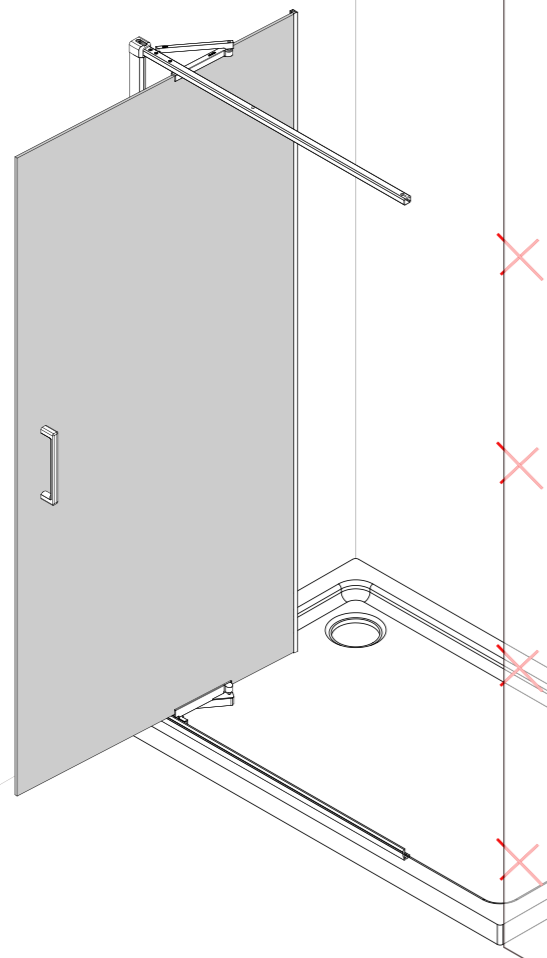


8.

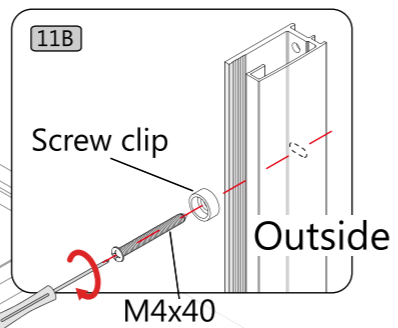
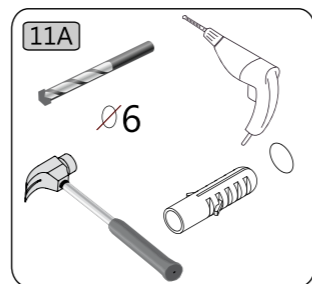


9.

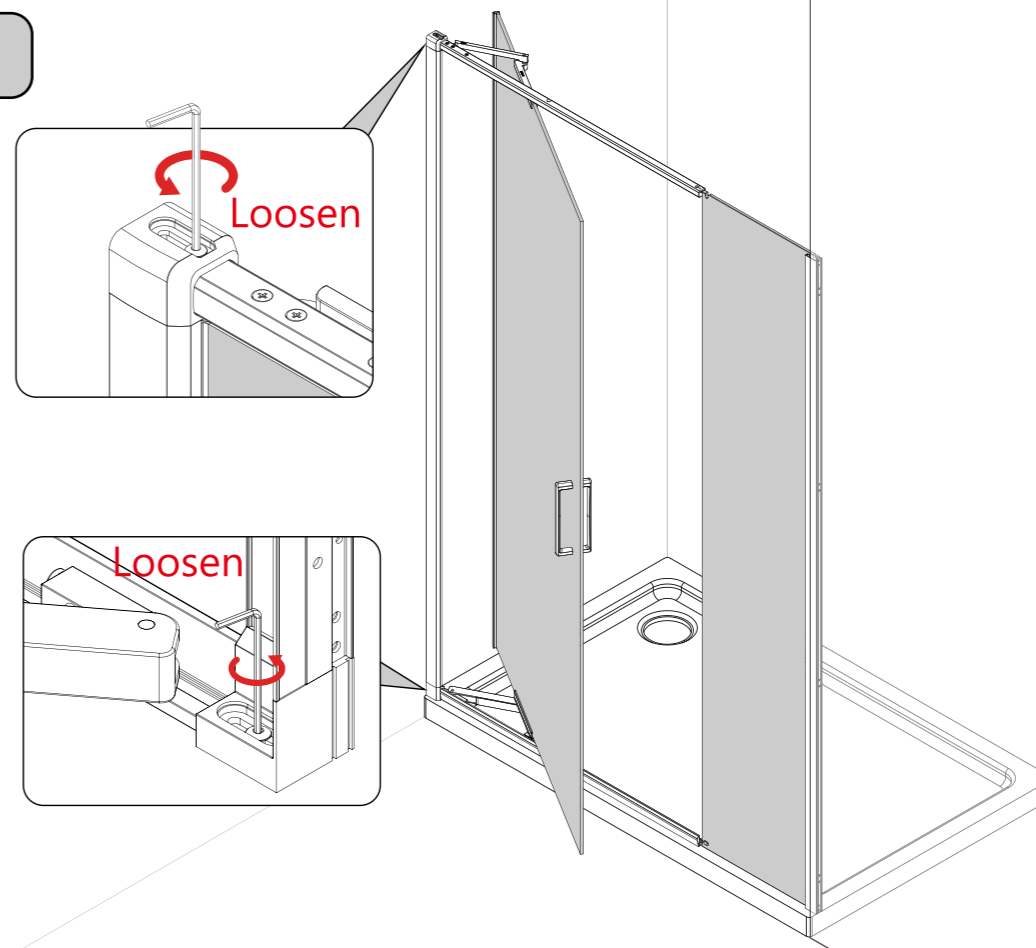
11



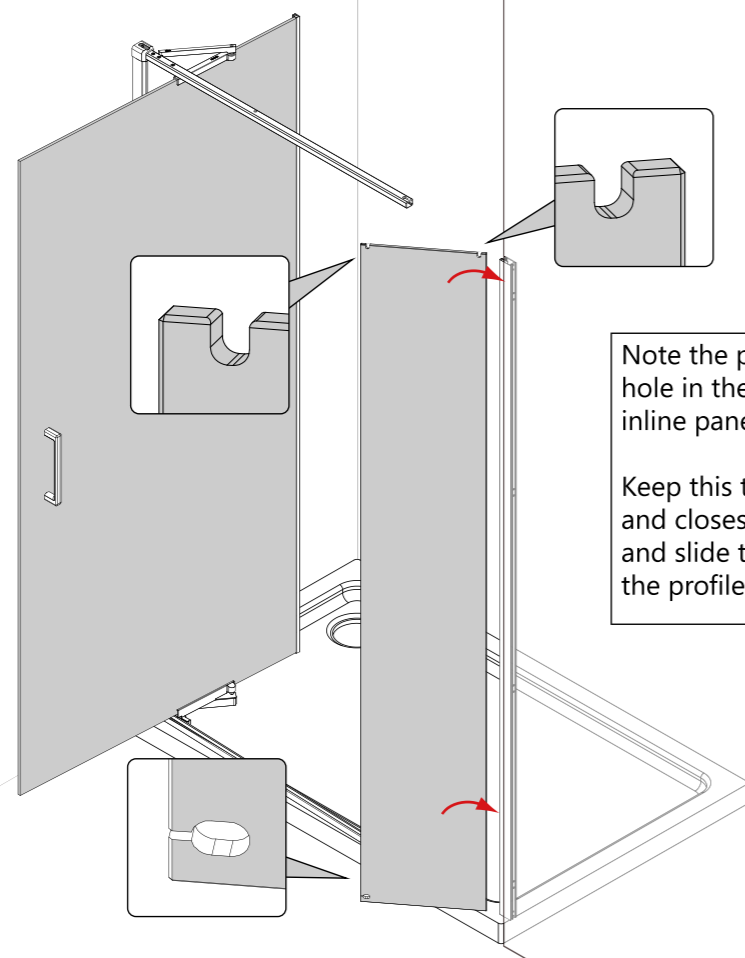
11A. Drill the holes with 6mm bit and insert the wall plug.
11B. Make sure to use the screw clips as these protect the edge of the glass .



13



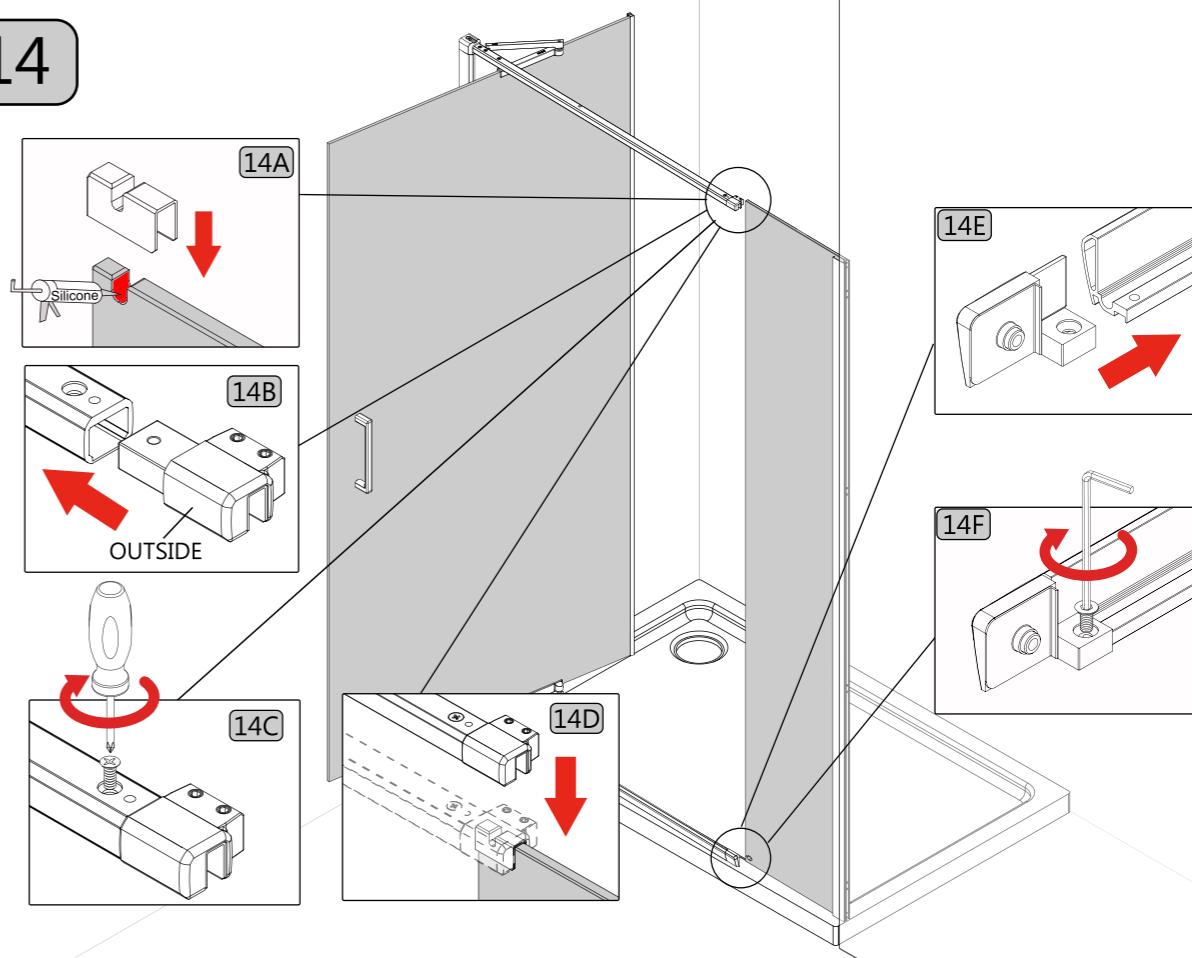
12

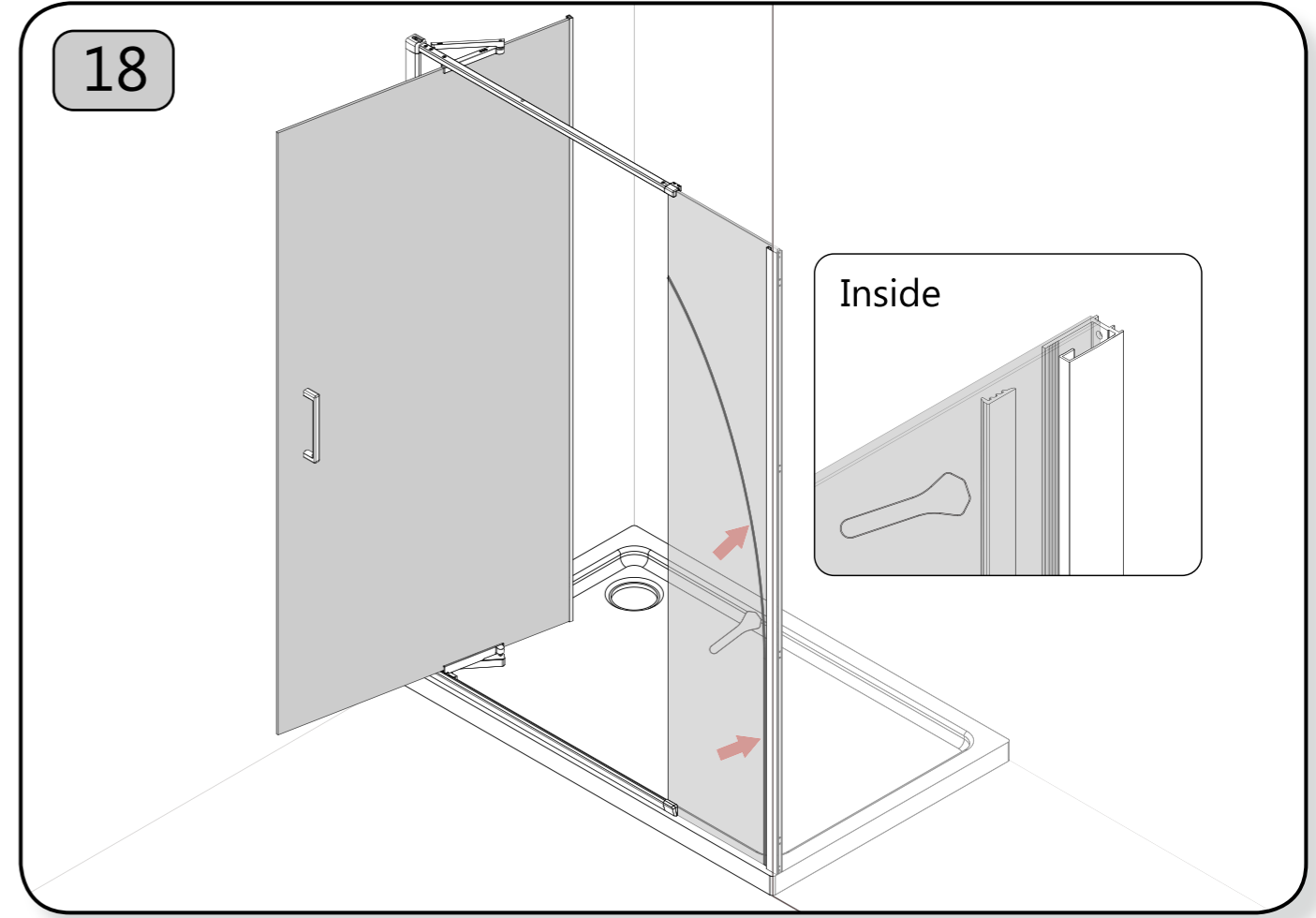
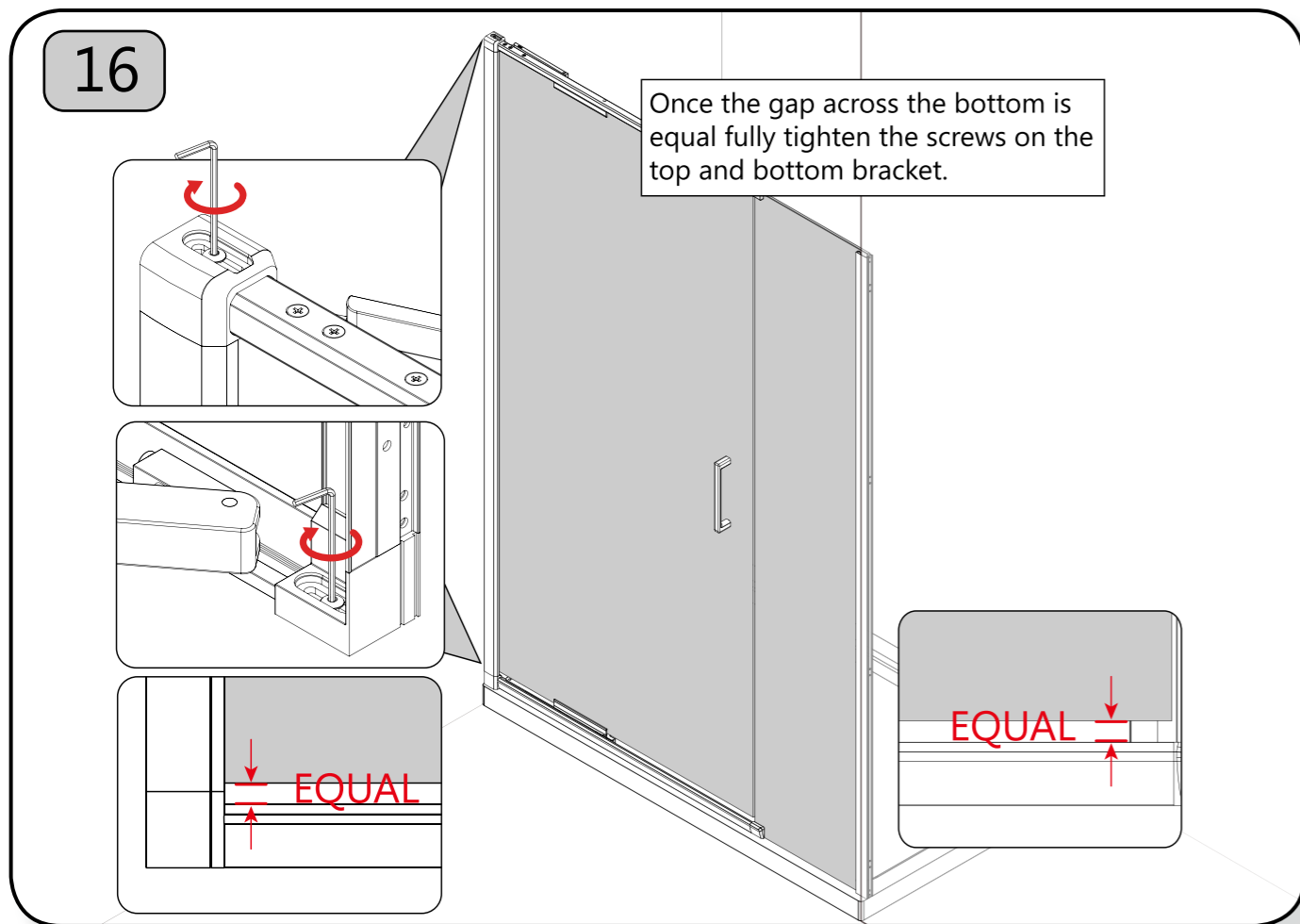
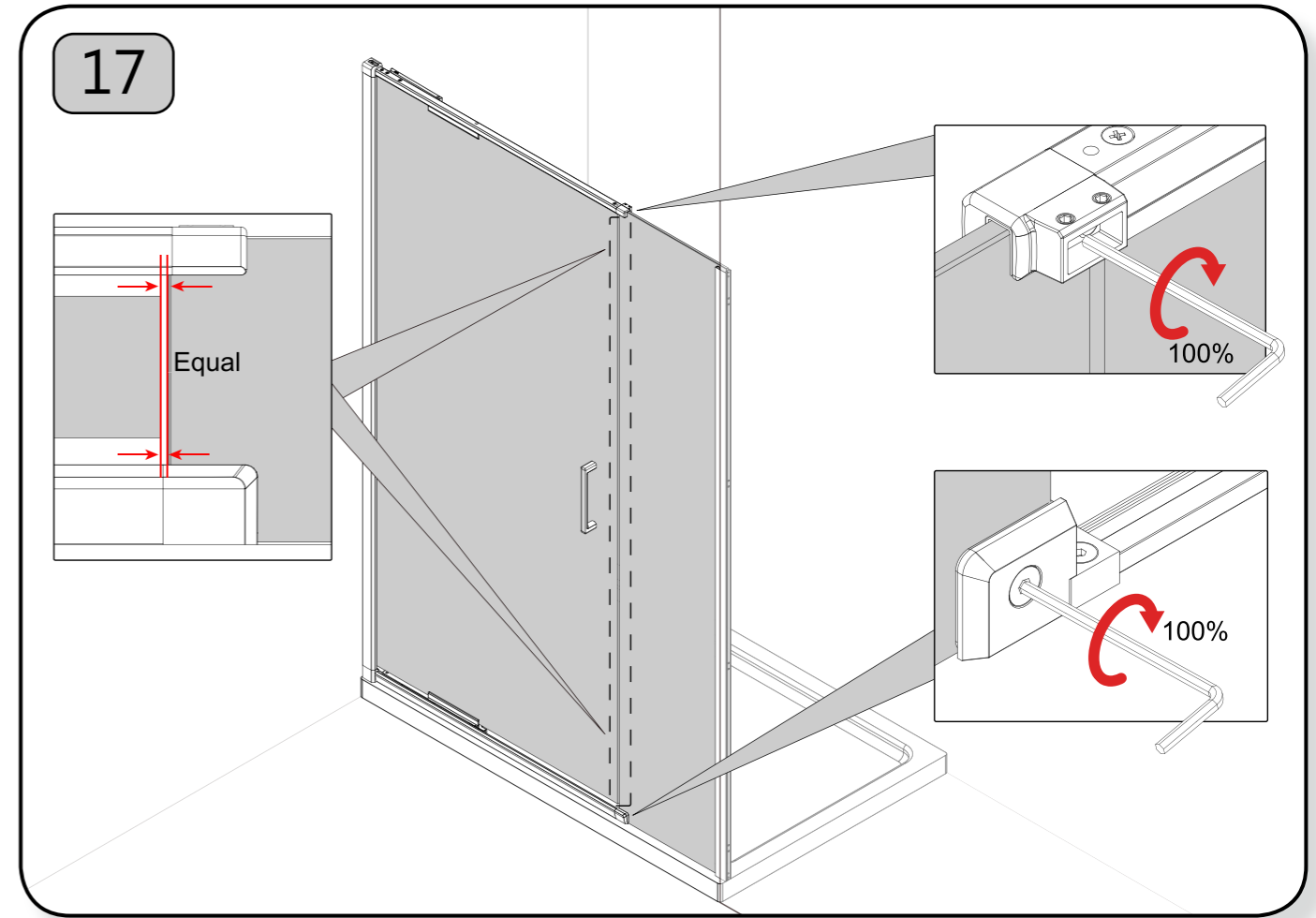
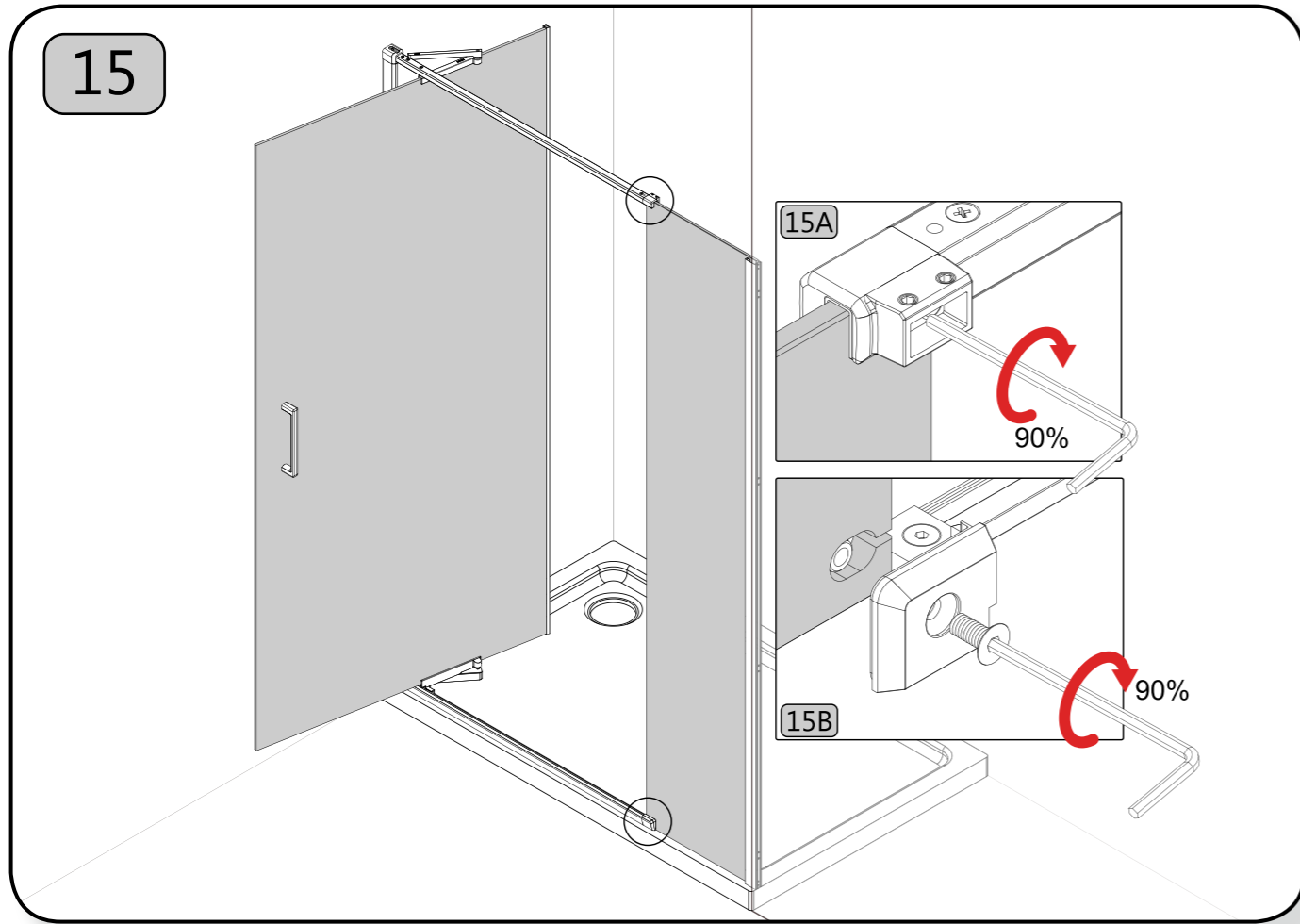


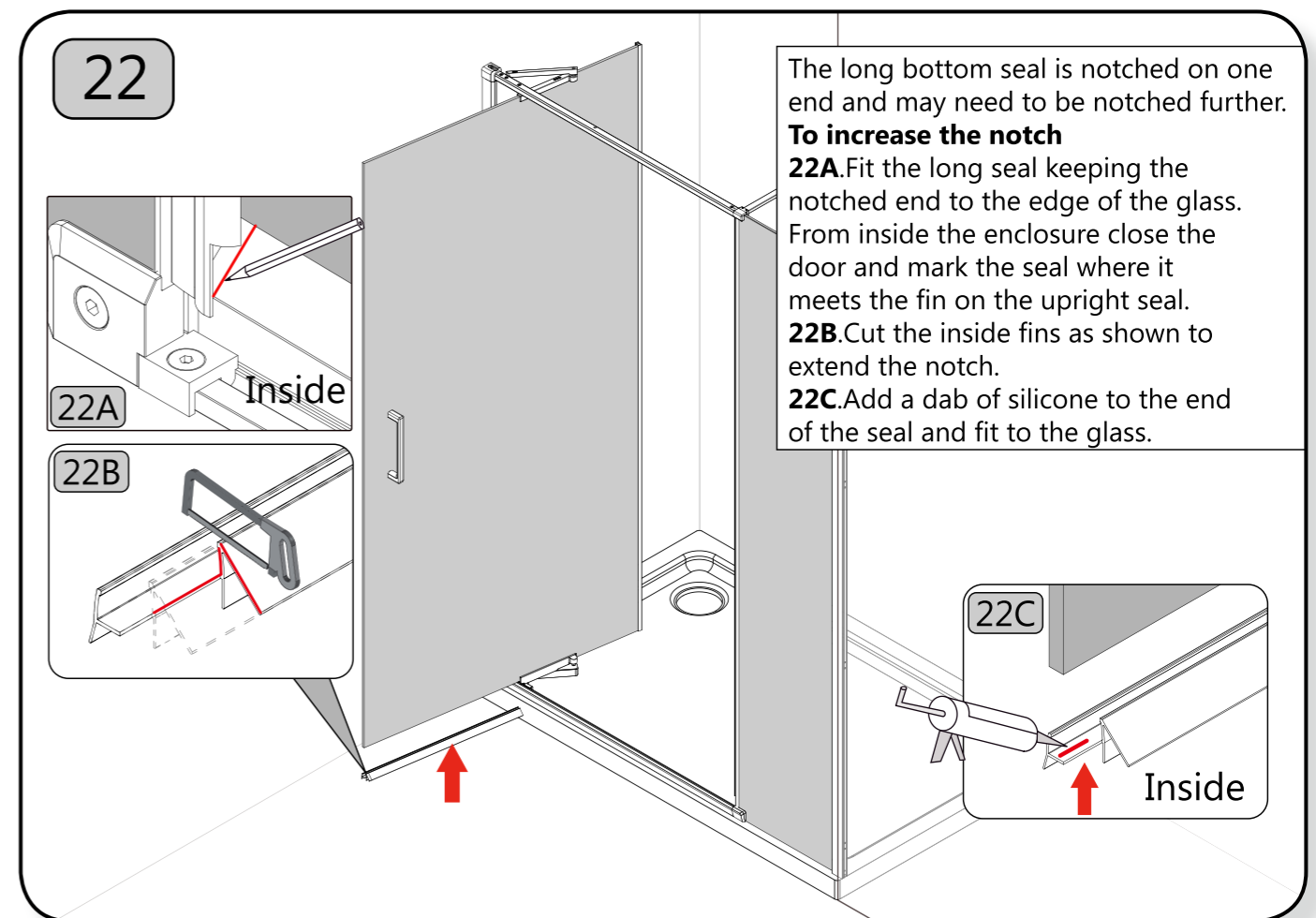
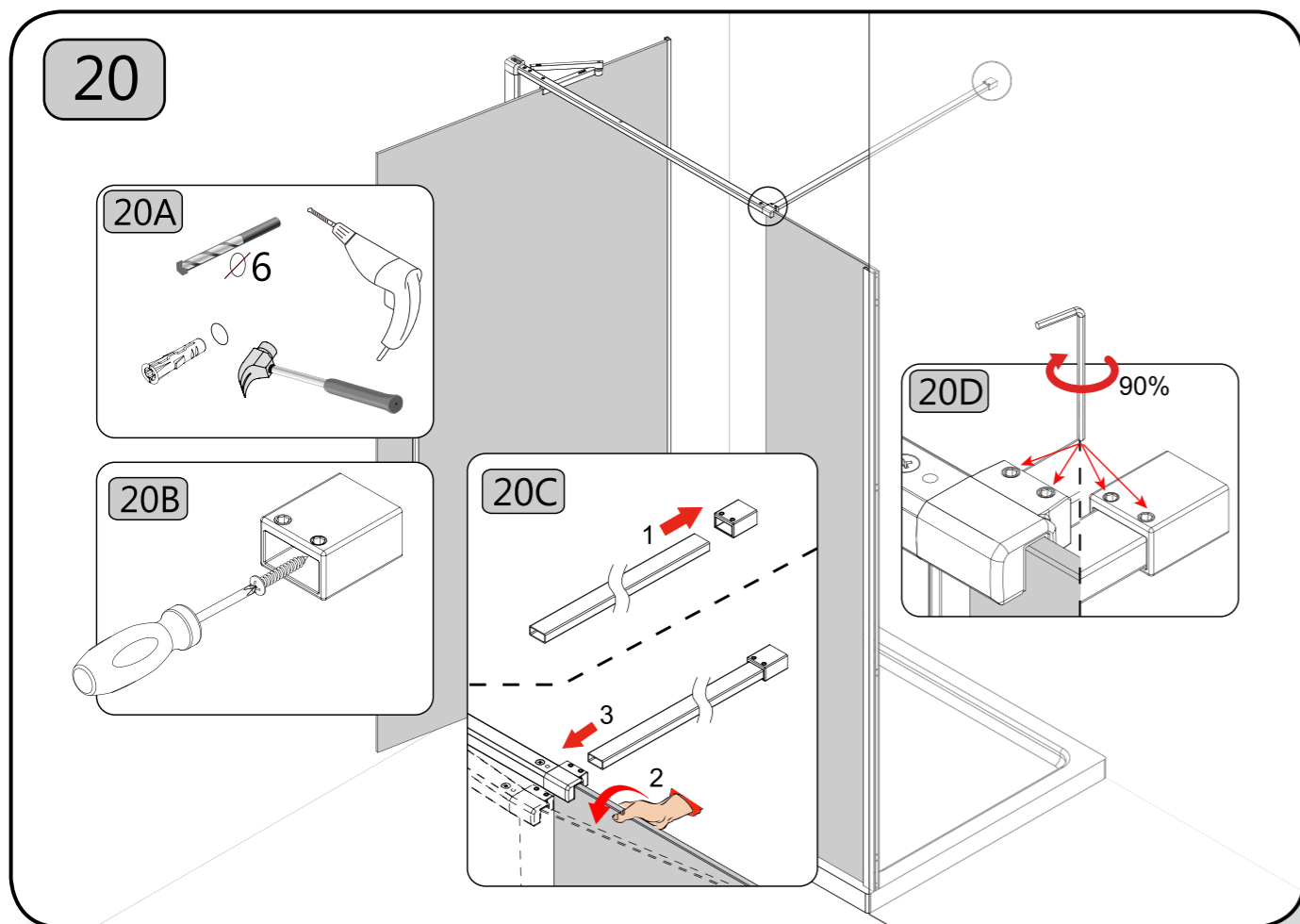
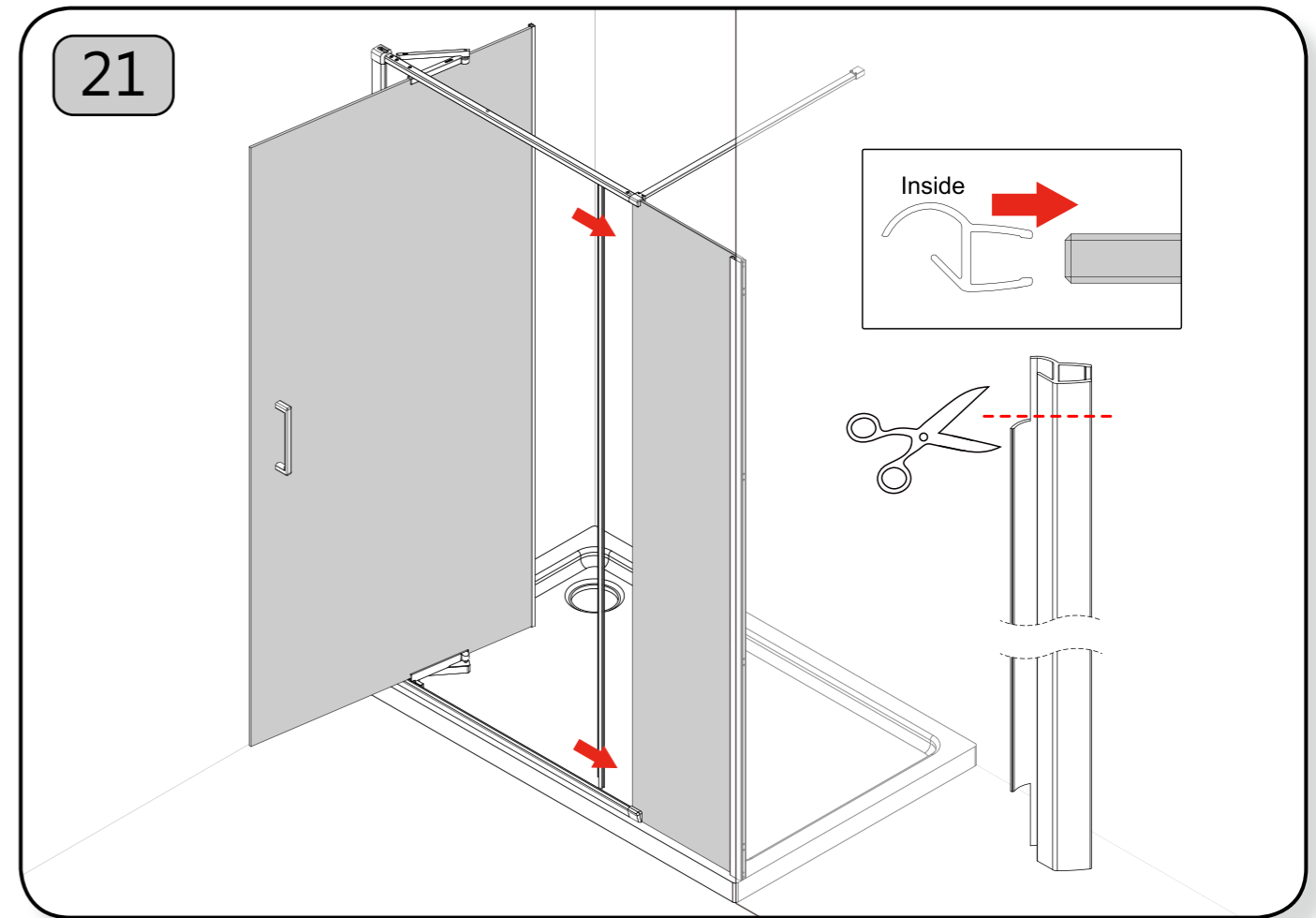
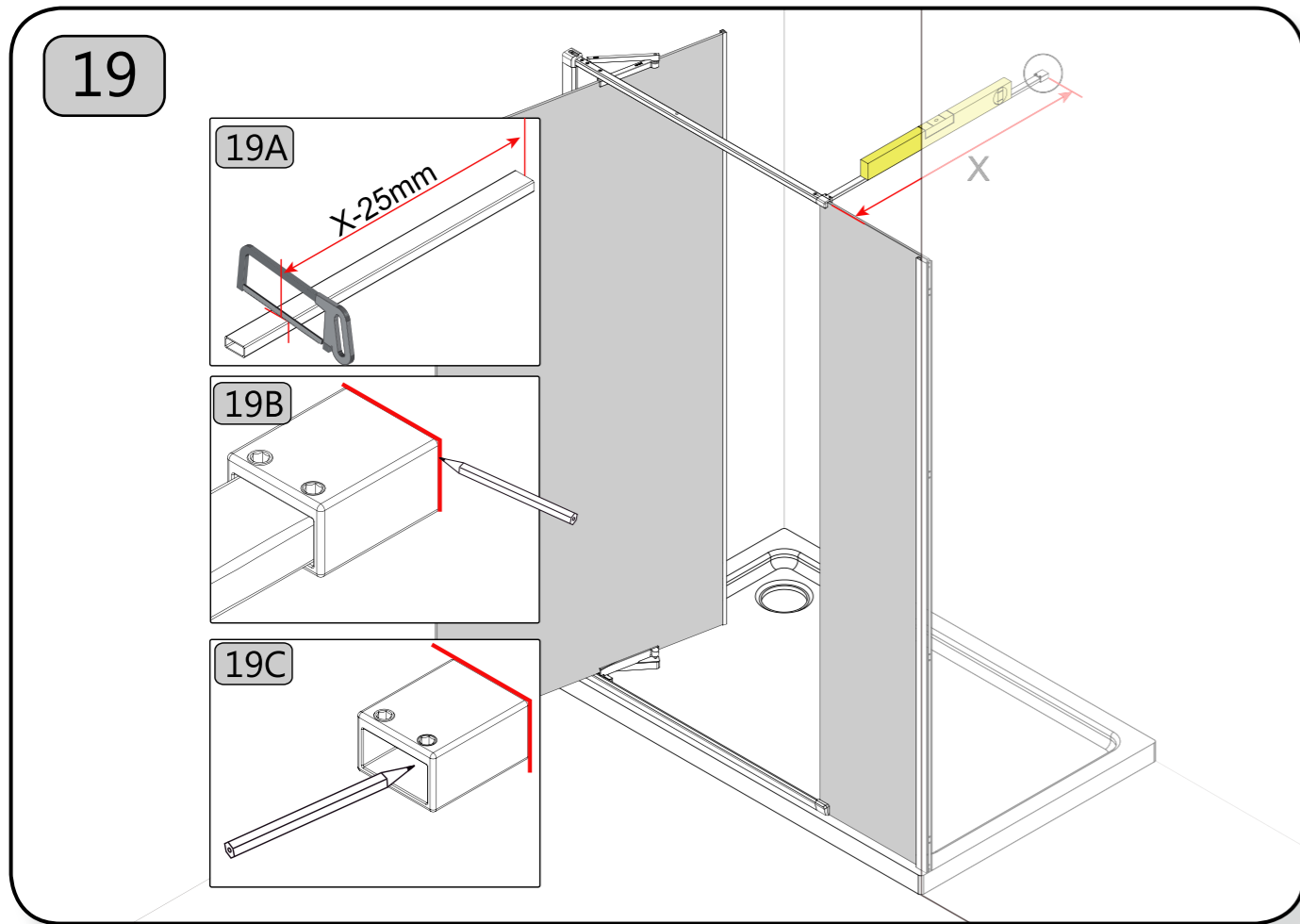
Note the position of the hole in the corner of the inline panel.

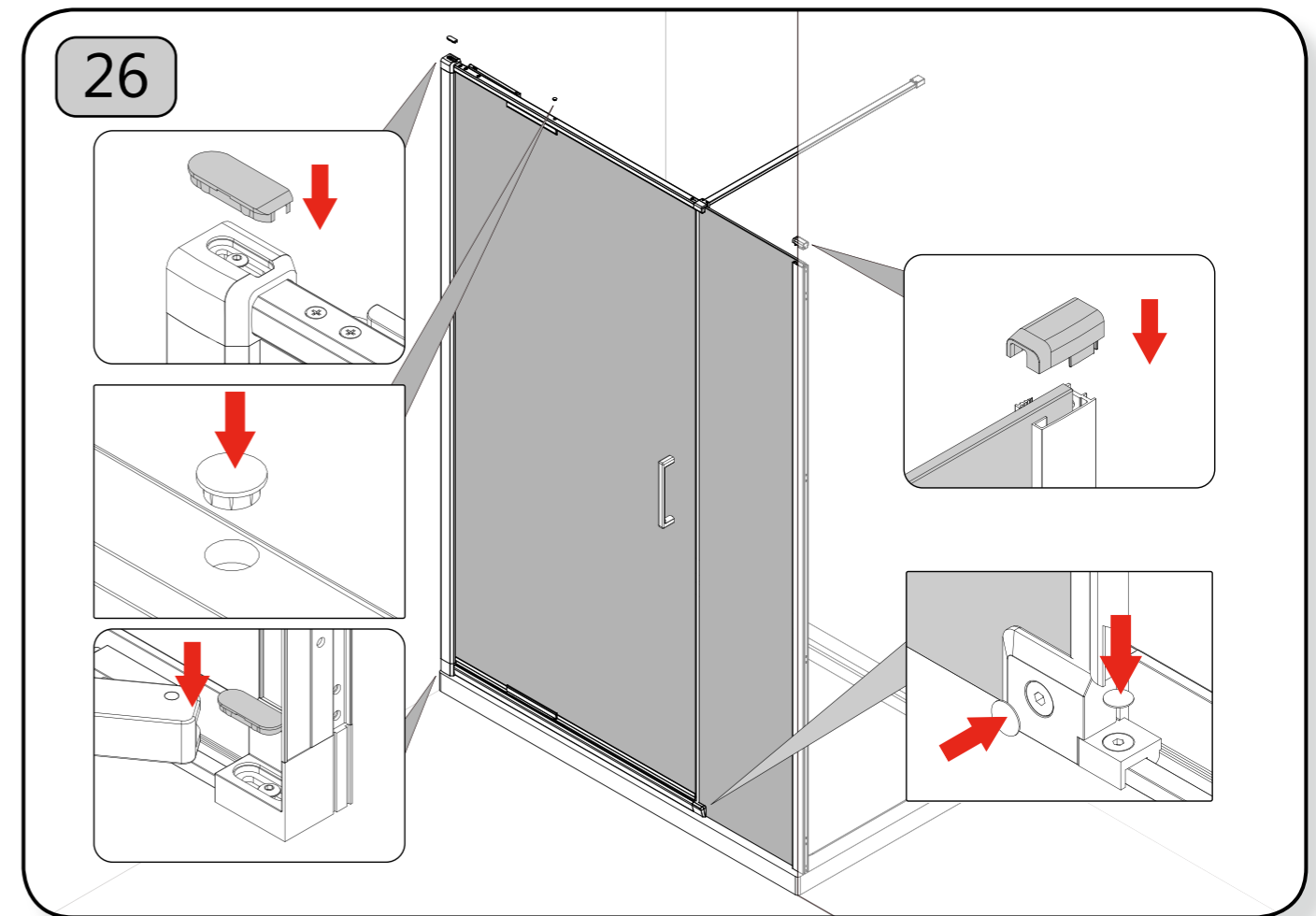
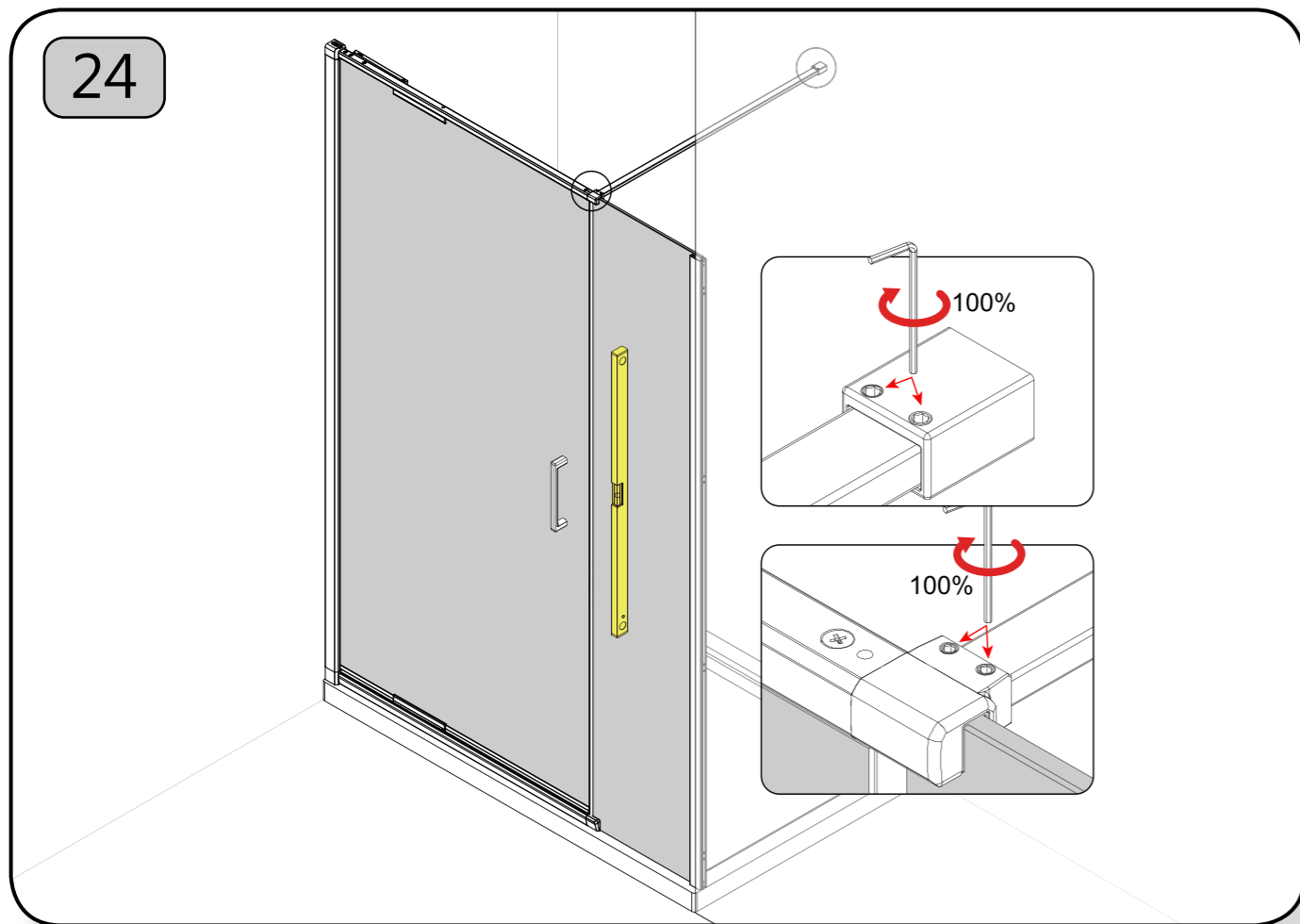
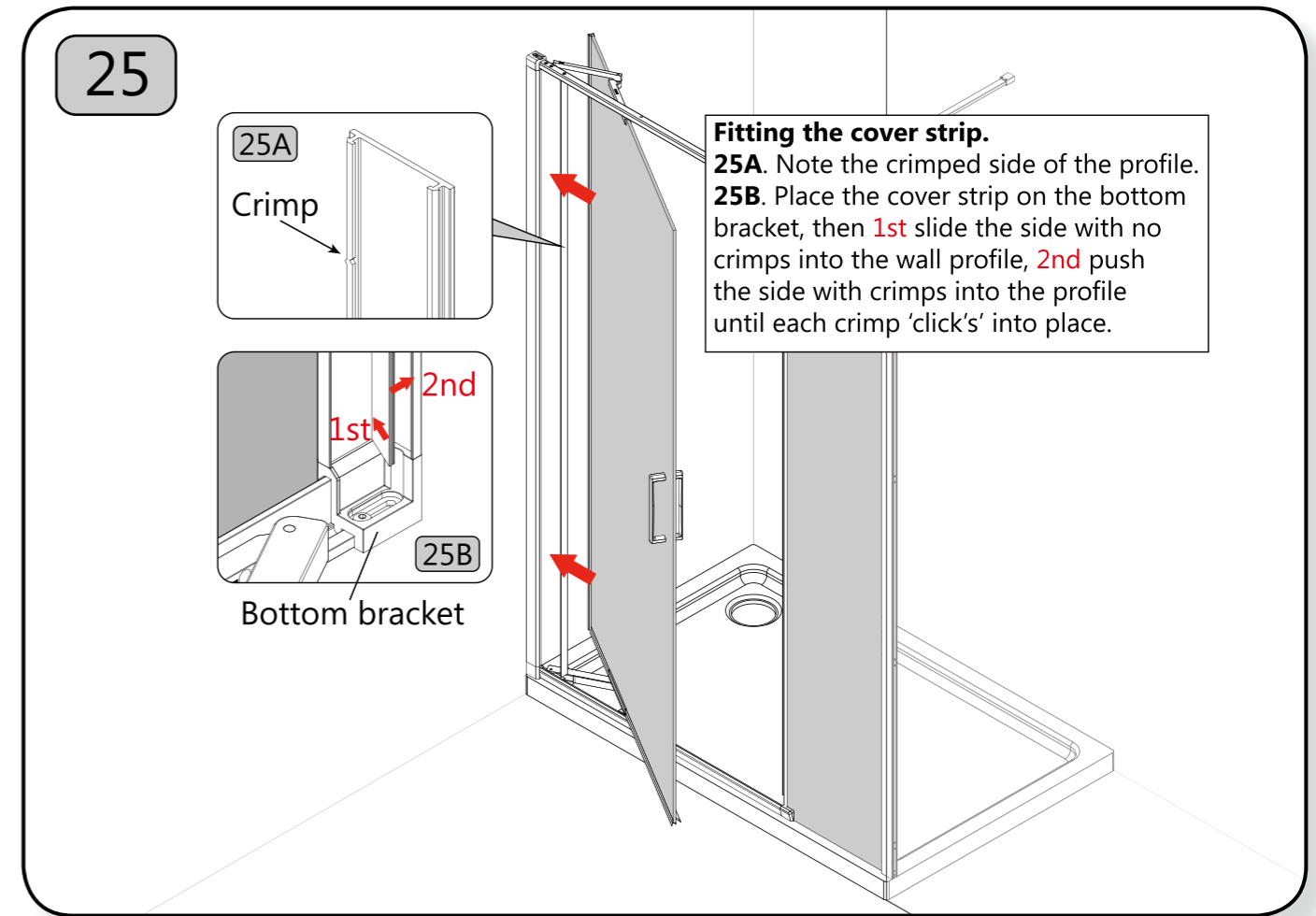
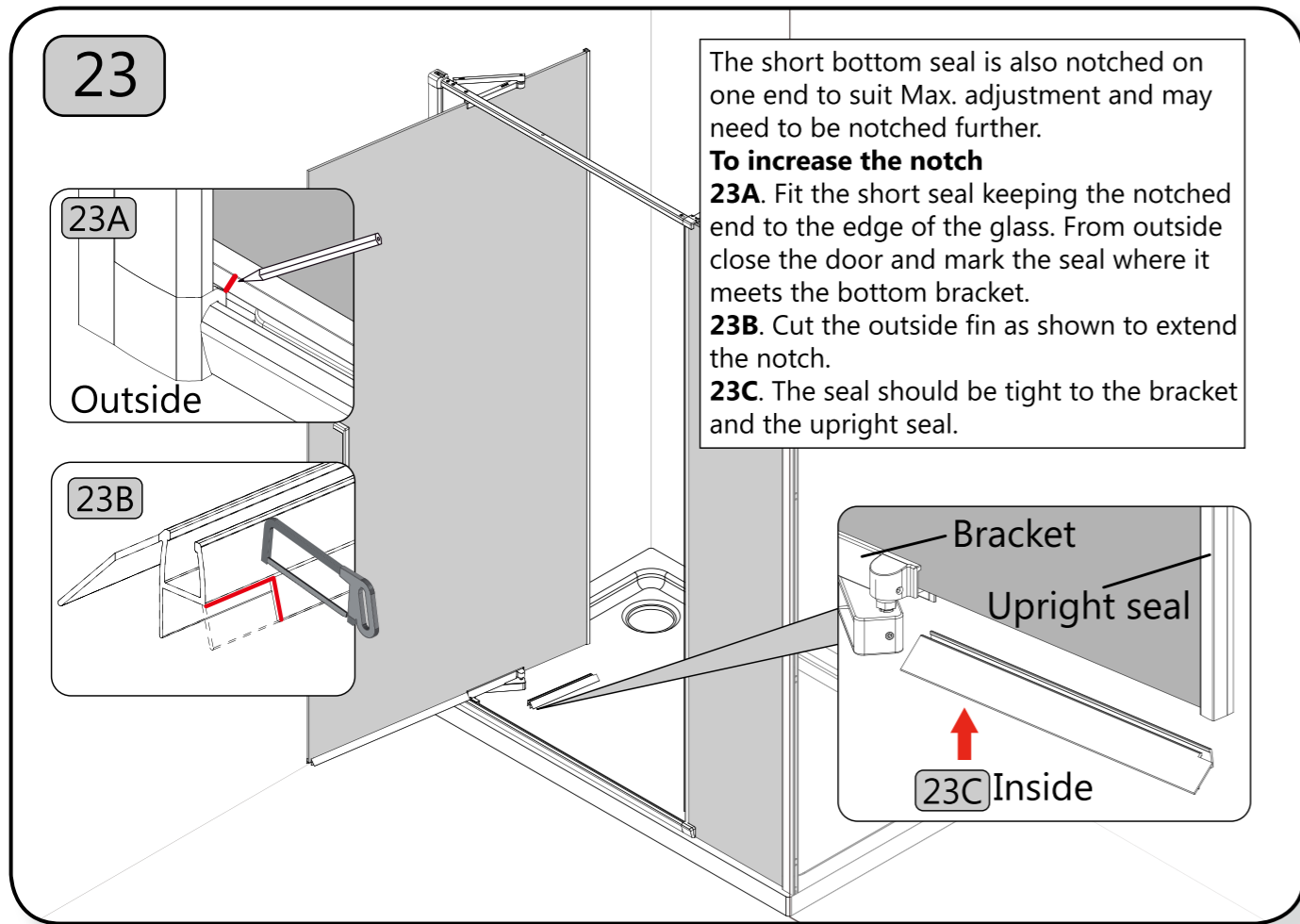
Keep this to the bottom and closest to the door and slide the glass into the profile.

14





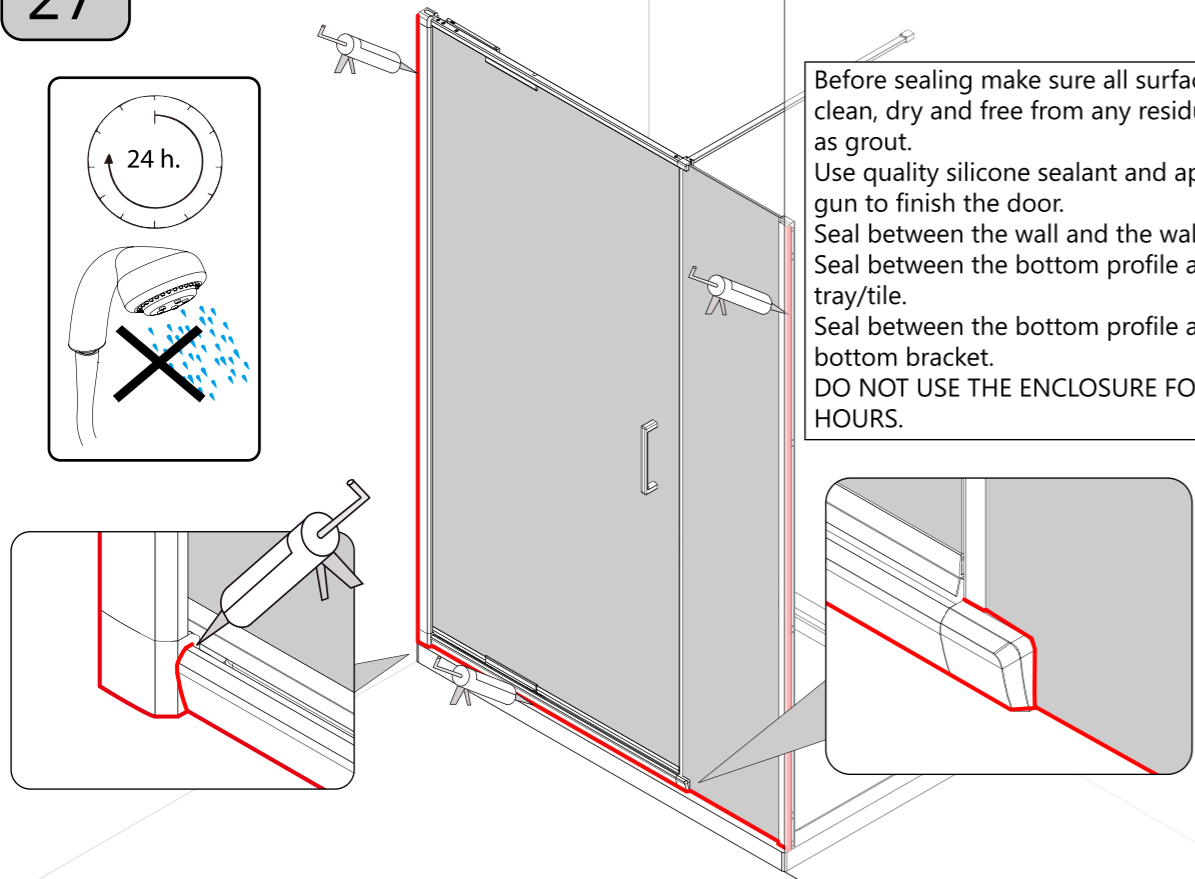




27

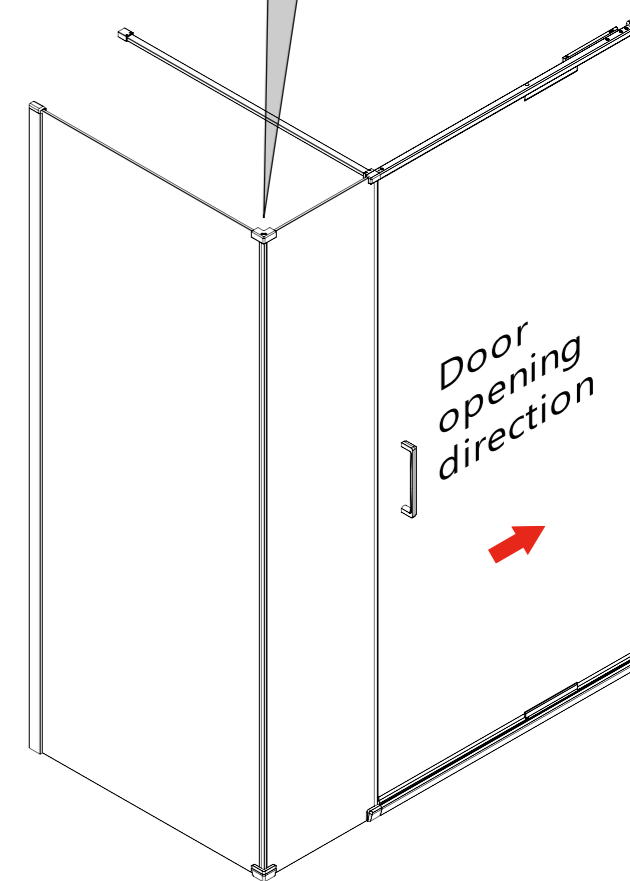
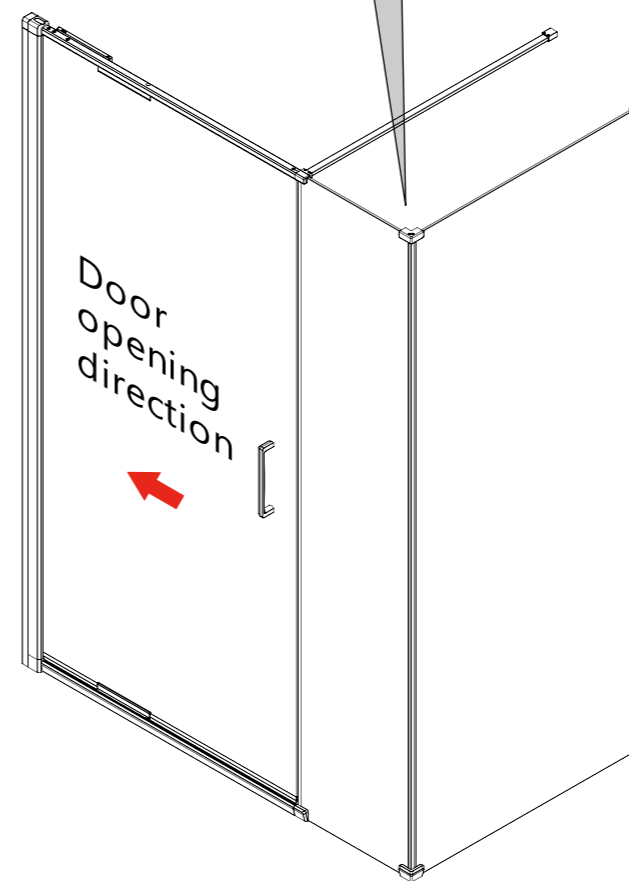
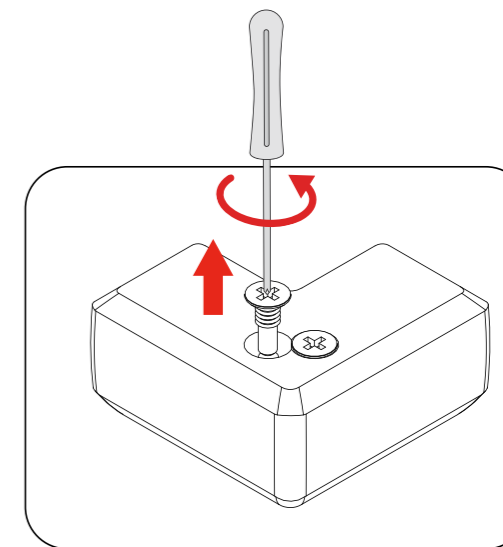
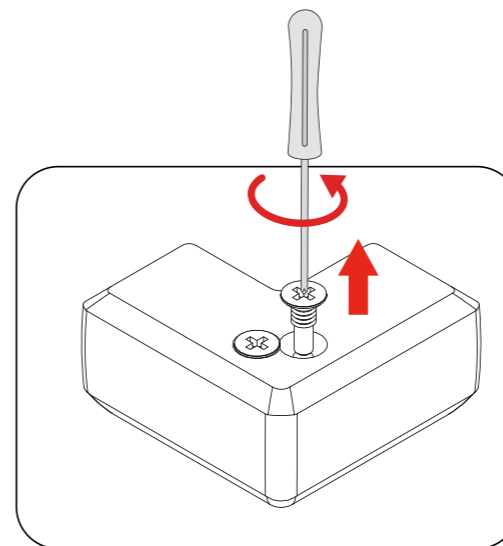


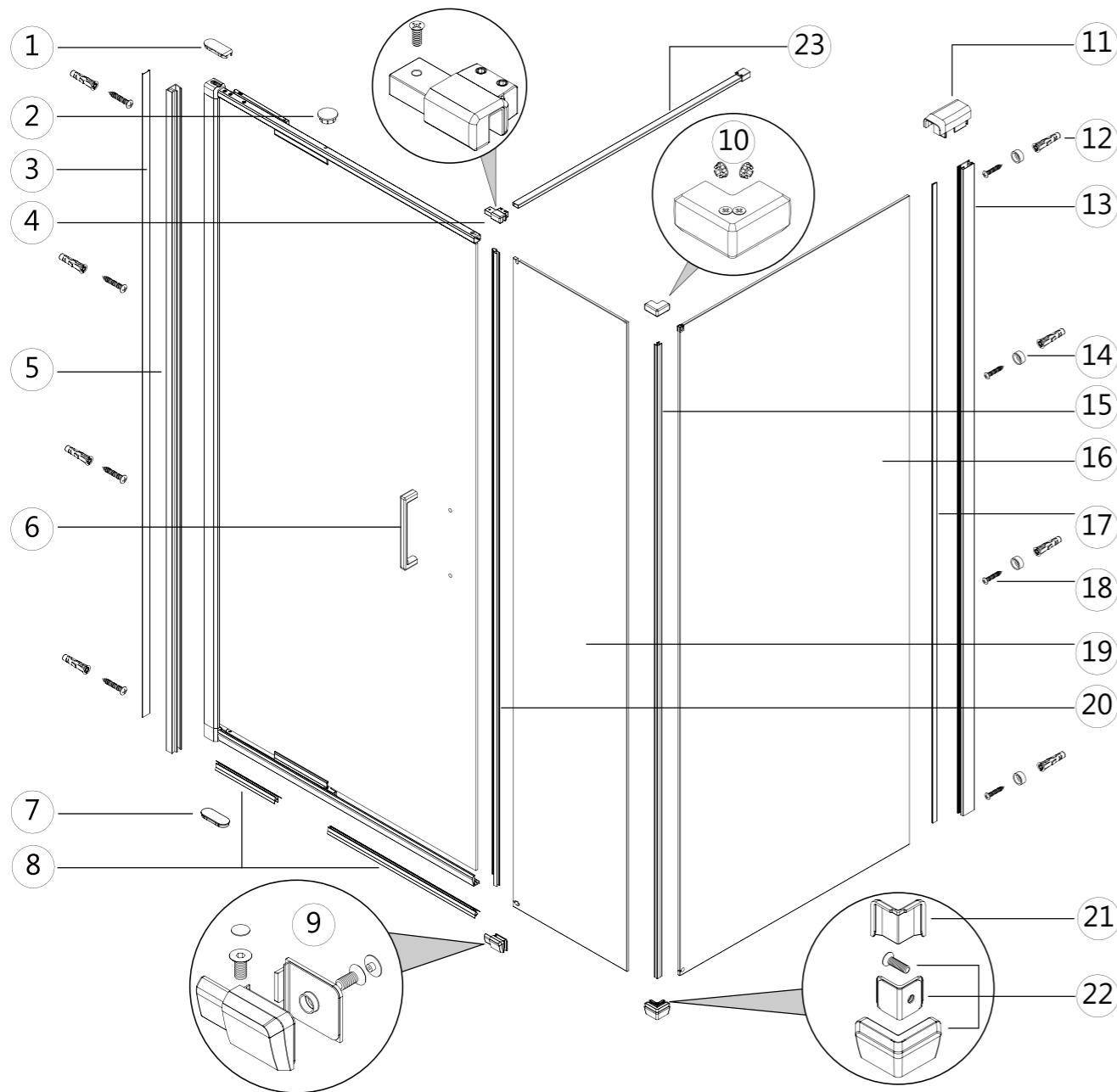
Before sealing make sure all surfaces are clean, dry and free from any residue such as grout.
Use quality silicone sealant and applicator gun to finish the door.
Seal between the wall and the wall profile.
Seal between the bottom profile and the tray/tile.
Seal between the bottom profile and the bottom bracket.
DO NOT USE THE ENCLOSURE FOR 24 HOURS.



Left hand

Right hand



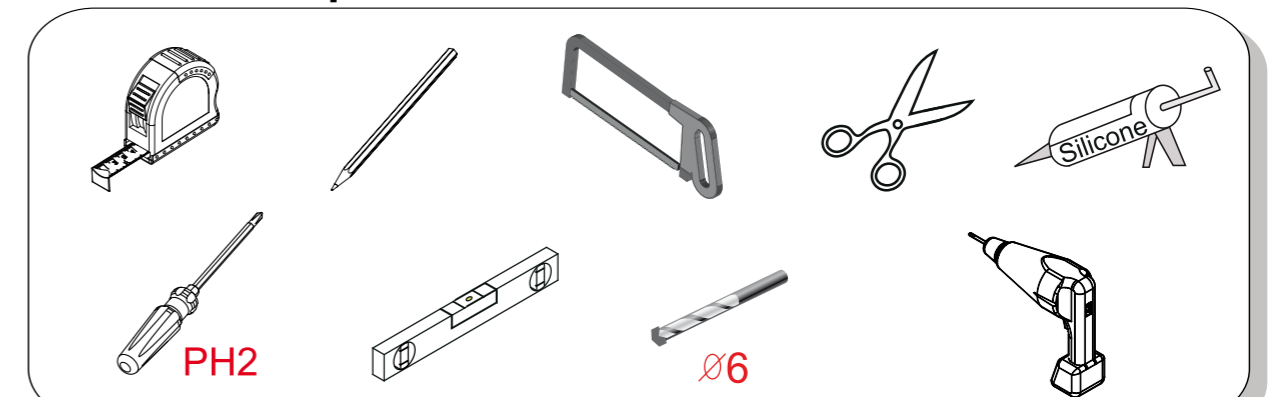


No.	QTY	Descriptions	Code	No.	QTY	Descriptions	Code
1	2	Top bracket cover cap	SP08HWSI54	13	1	Side panel profile	SP08ALSH01
2	1	Slider top rail guide cover cap	SP08HD20301-4	14	4	Screw clip	SP08HWSI79
3	1	Cover strip	SP0ALSH75	15	1	Corner seal	SP0A8NP002
4	2	Top bracket	SP0A8NP008/009	16	1	Side Panel	B
5	1	Magnet seal	SP0A8NFMAG	17	1	Wedge gasket	SP08SECY52
6	1	Handle	SP08HD090A	18	8	M4x40 screw	SP0A8M4X40PAN
7	2	Bottom bracket cover cap	SP08HWSI57	19	1	fixed panel	C
8	1	Bottom seal set	A	20	1	Upright seal	SP0A8NP001
9	2	Bottom bracket	SP0A8NP011/012	21	1	Bottom corner bracket cap	SP0A8NP005
10	1	Top corner bracket	SP0A8NP003	22	1	Bottom corner bracket	SP0A8NP004
11	1	Side panel cover cap set	SP08HWSI75	23	1	Top rail	SP0A8NP010
12	8	6mm wall plug	A03S0090				

Fixing Kit Components

 SP0A8NP008 x1 SP0A8NP009 x1	 SP0A8NP011 x1 SP0A8NP012 x1	 SP0A8NP003 x1 SP0A8NP004 x1
 SP08HWSI74AL/R x2	 SP08HWSI73AL/R x2	 SP08HD090A X1
 SP08ALLP07 x1	 A10S0003 X1	 A06S0062 X2
 SP08HWSI79 x4	 SP08HWS600 x1	
 SP08HWSI54 X2	 SP08HWSI57 X2	 SP0A8NFCAP x1
 SP08HWSI75 x2		
 SP0A8M4X40PAN x8	 A03S0090 x8	 M5x8 screw x1
 M5x16 screw x1	 SP0GMS0852 X1	 SP0GMS0851 X1
 2.5mm	 3mm	 4mm

Tools required

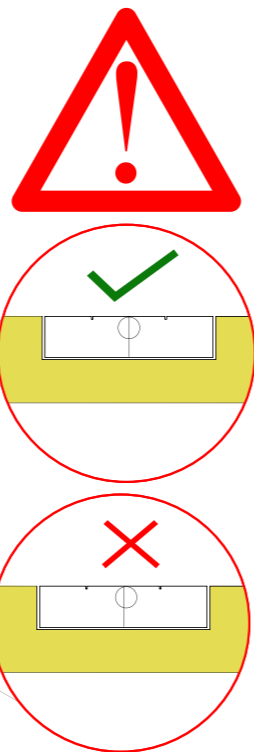
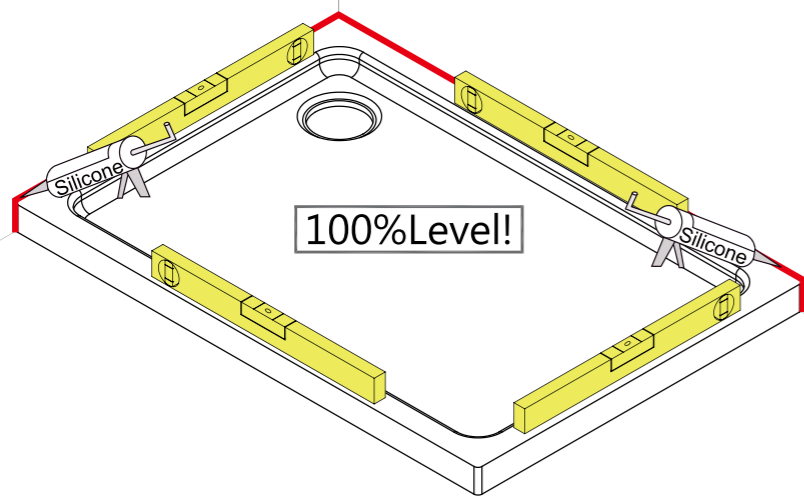


1

Ensure the shower tray is level in all directions and is properly sealed to the wall. The wall must be tiled down to the top edge of the tray.

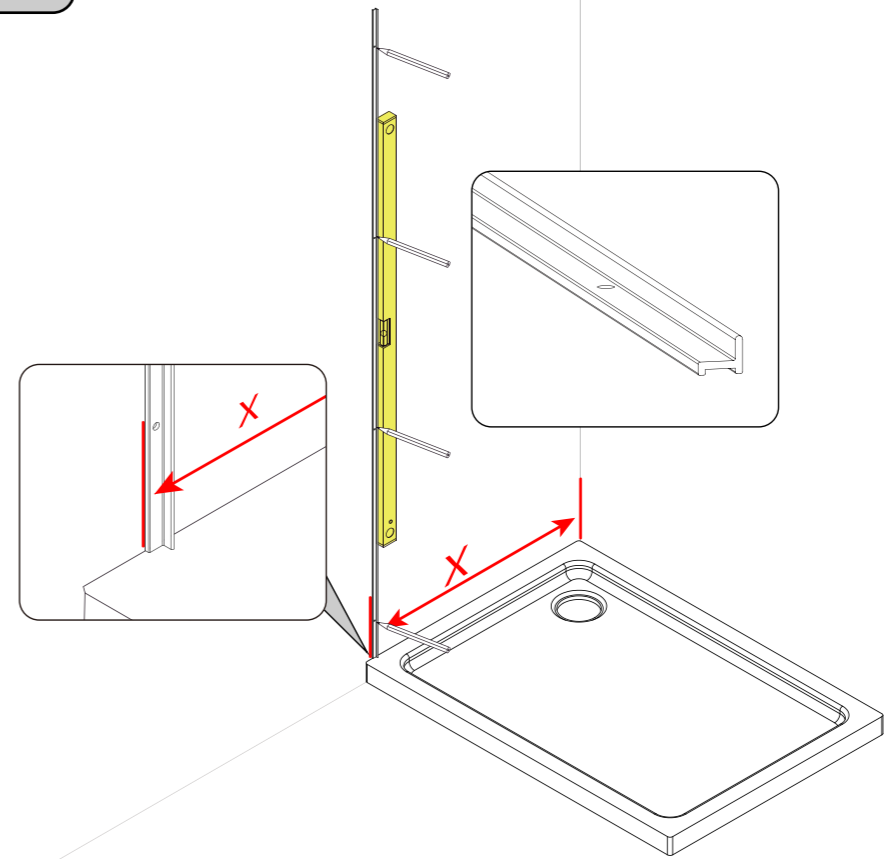
Do not angle out bottom tile.
TRAY MUST BE LEVEL IN ALL DIRECTIONS!

TRAY MUST BE SEALED FULLY AROUND WHERE THE TRAY MEETS THE WALL.



3

Align the outside of the template profile with the mark. Make sure to use a sufficiently long level to ensure the profile is plumb and mark the holes.

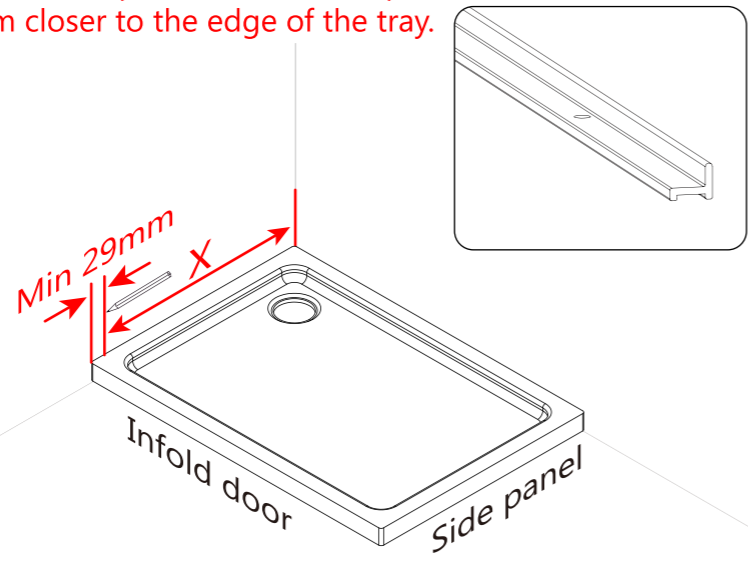


2

Mark a line within the range of adjustment X on the Infold door side shown in the table below.
Note: Make sure the line is a minimum of 29mm from the front edge of the tray.

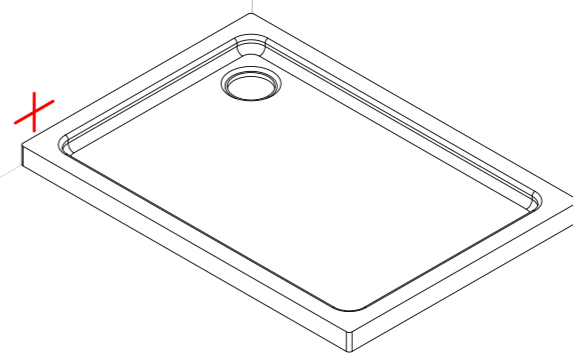
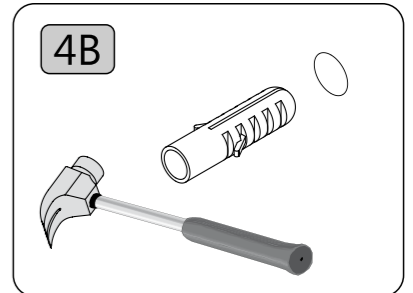
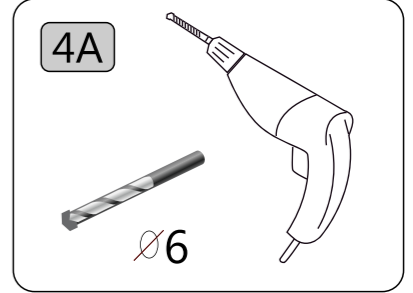
This is to set the position of the template, the door frame will be 20mm closer to the edge of the tray.

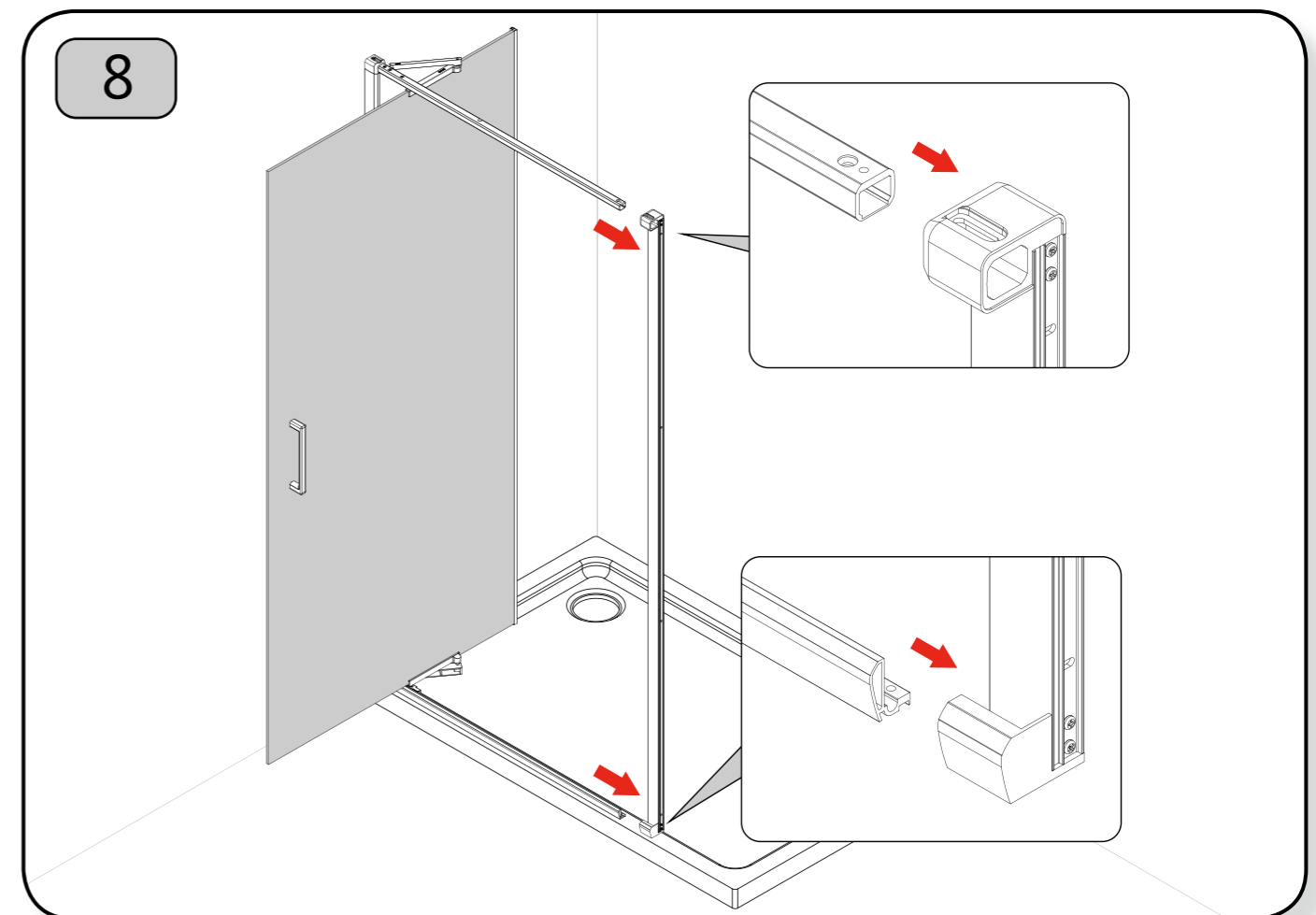
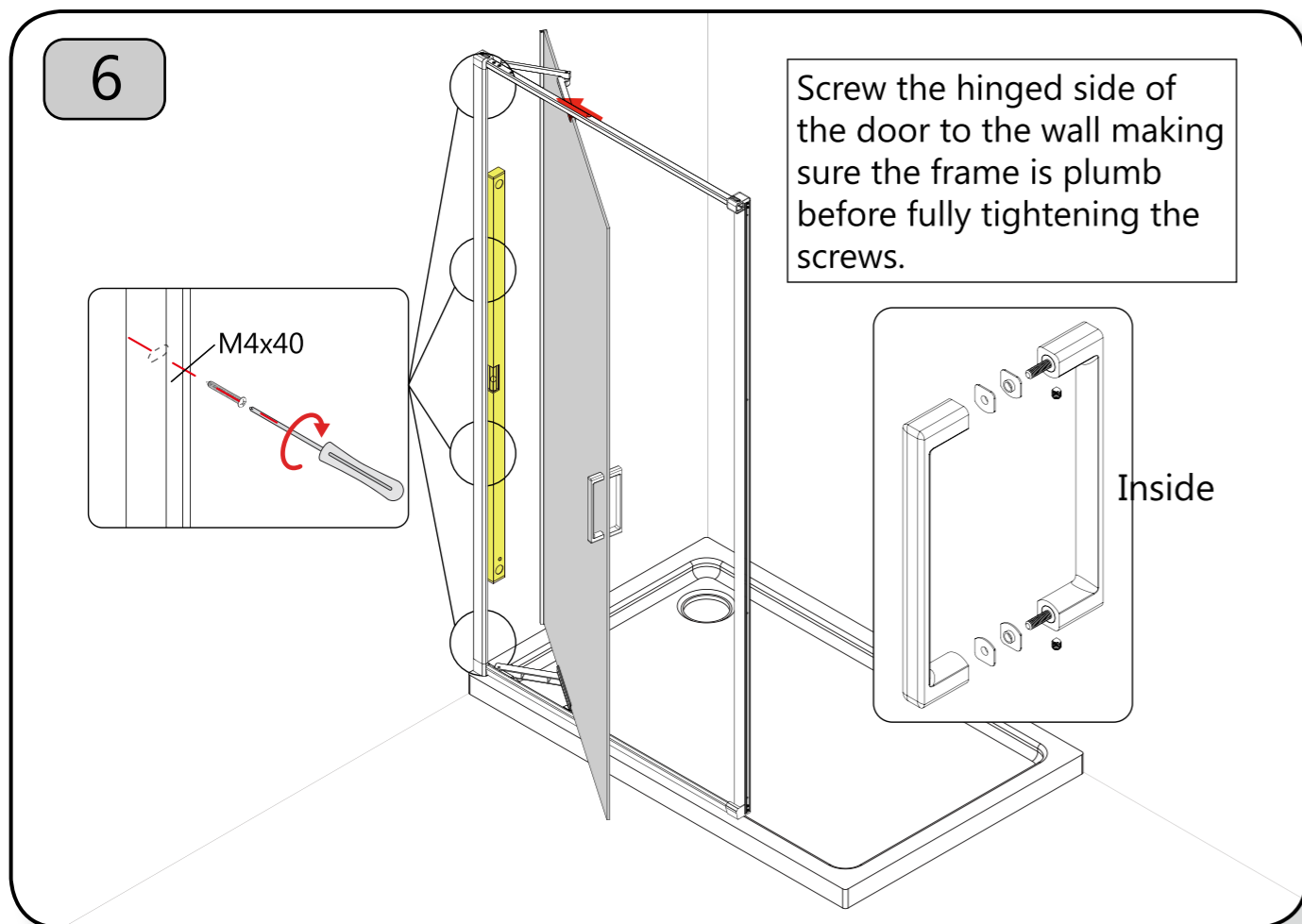
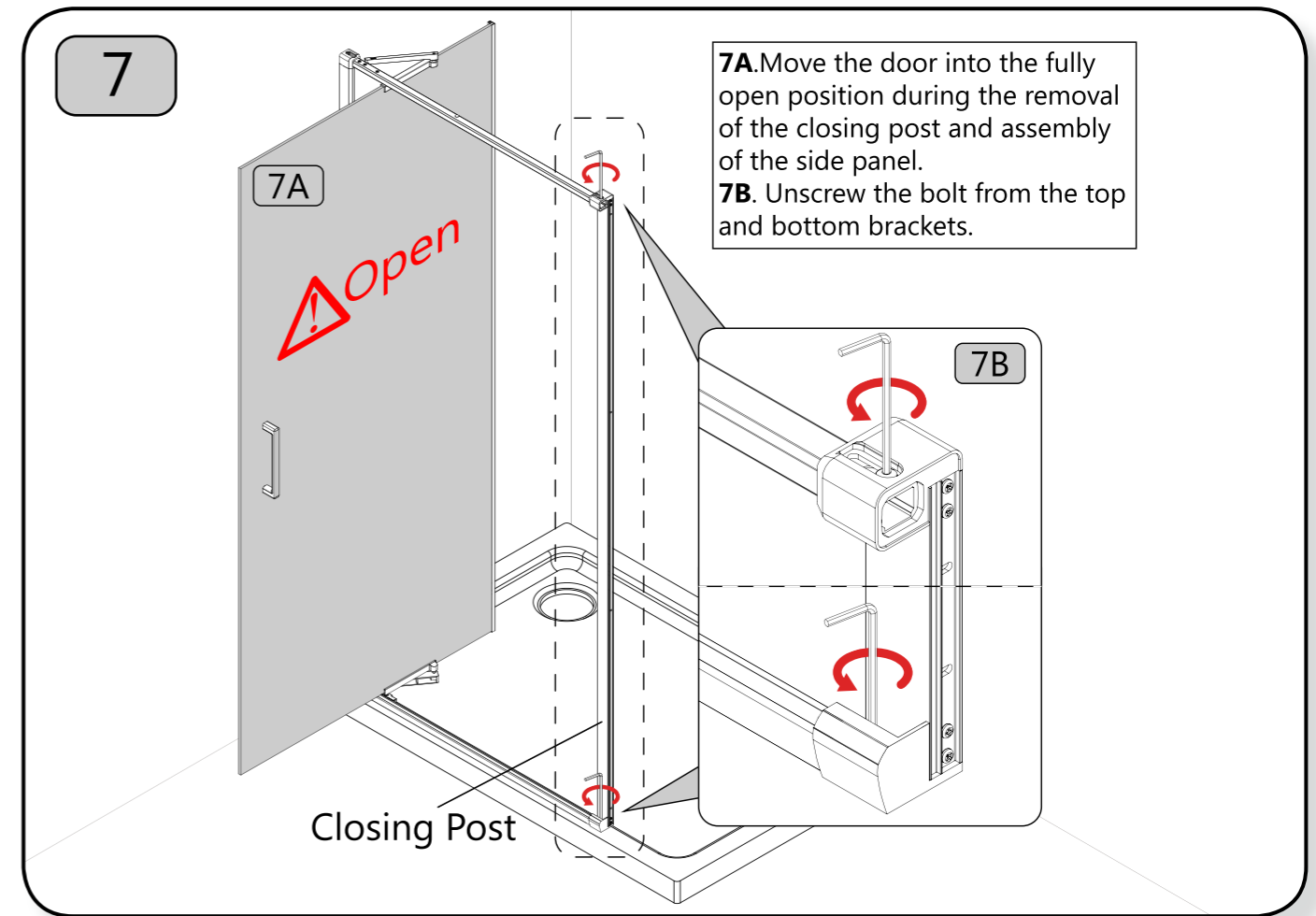
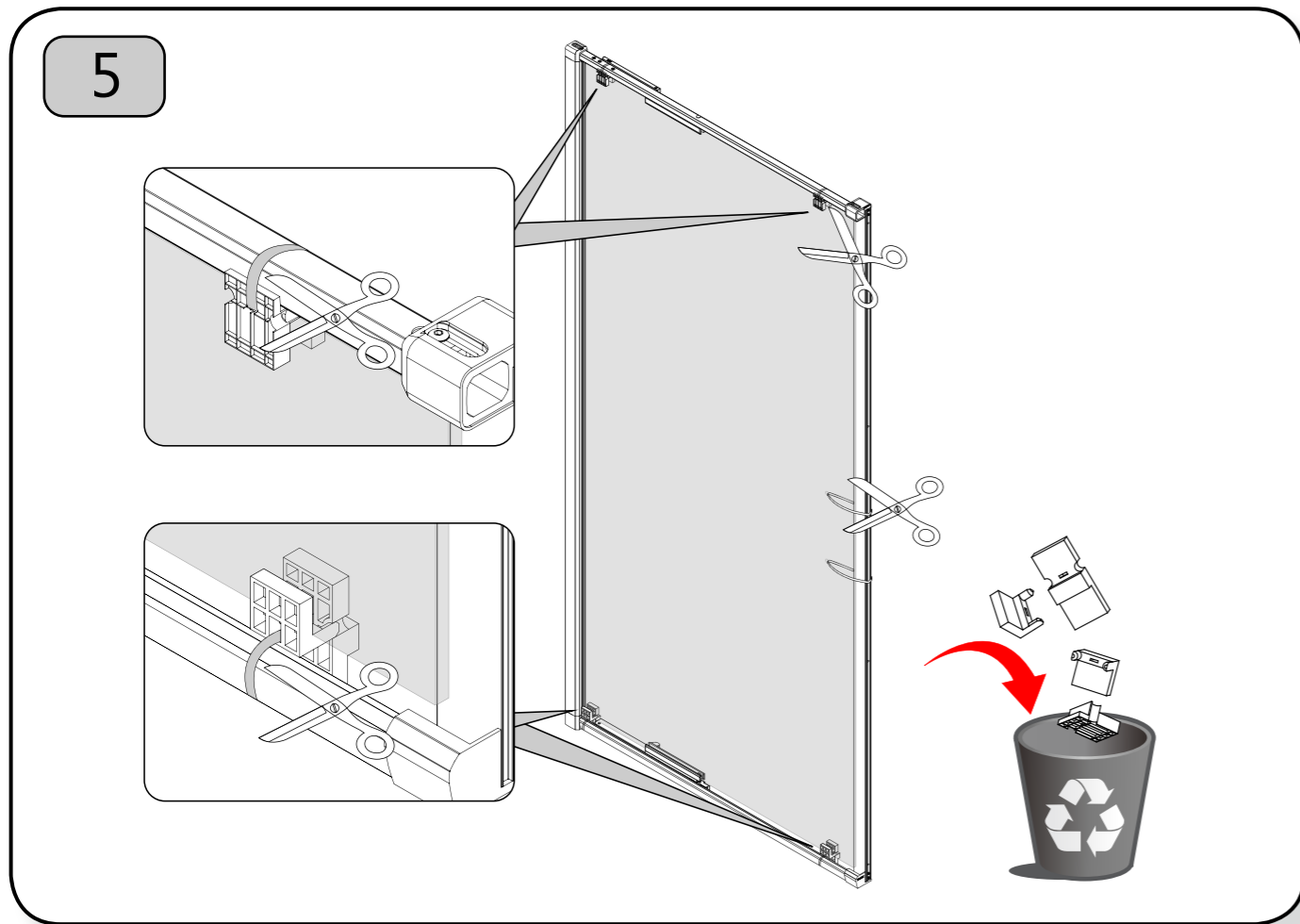
Size	X
700	635-655
760	695-715
800	735-755
900	835-855
1000	935-955
1200	1135-1155

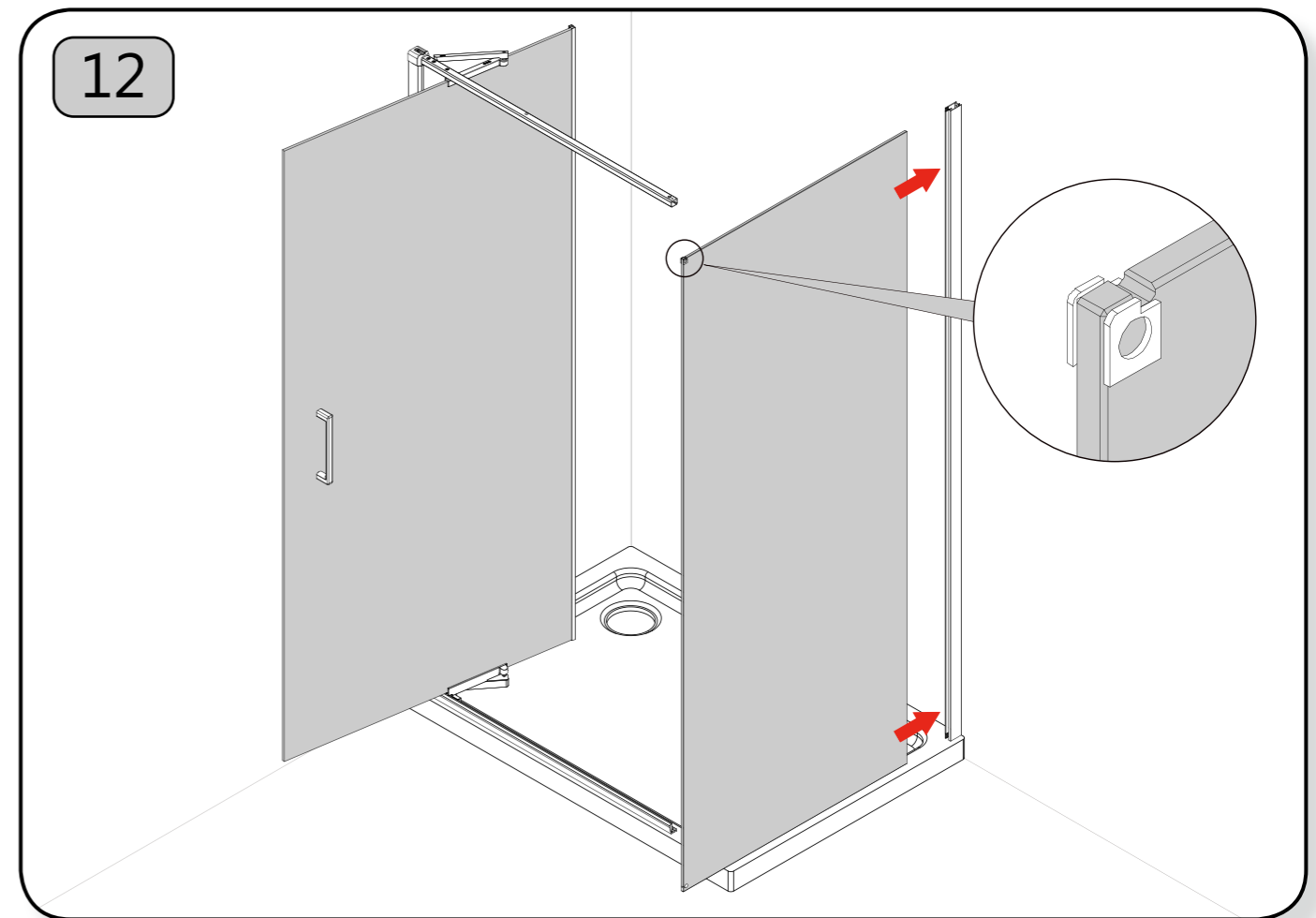
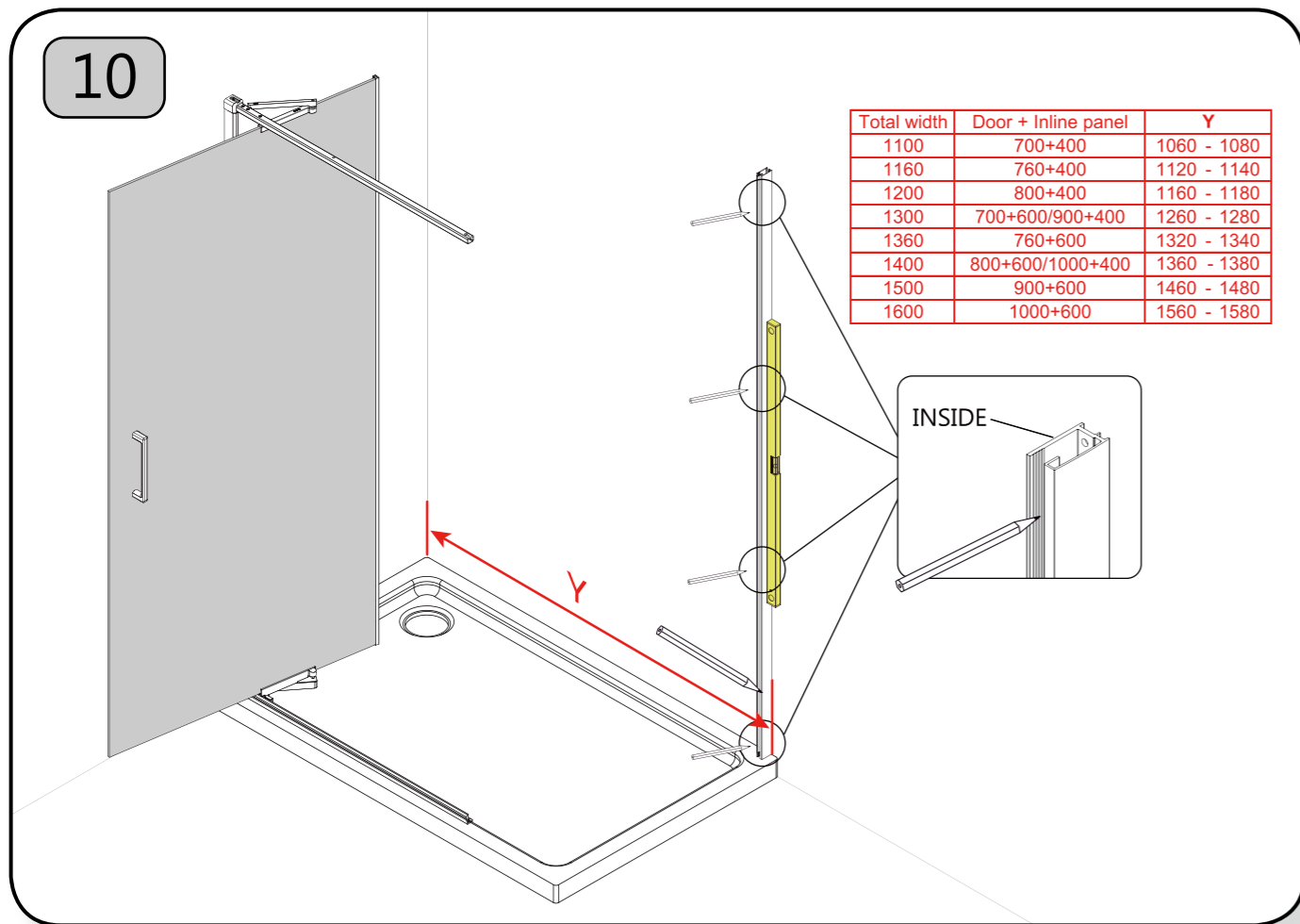
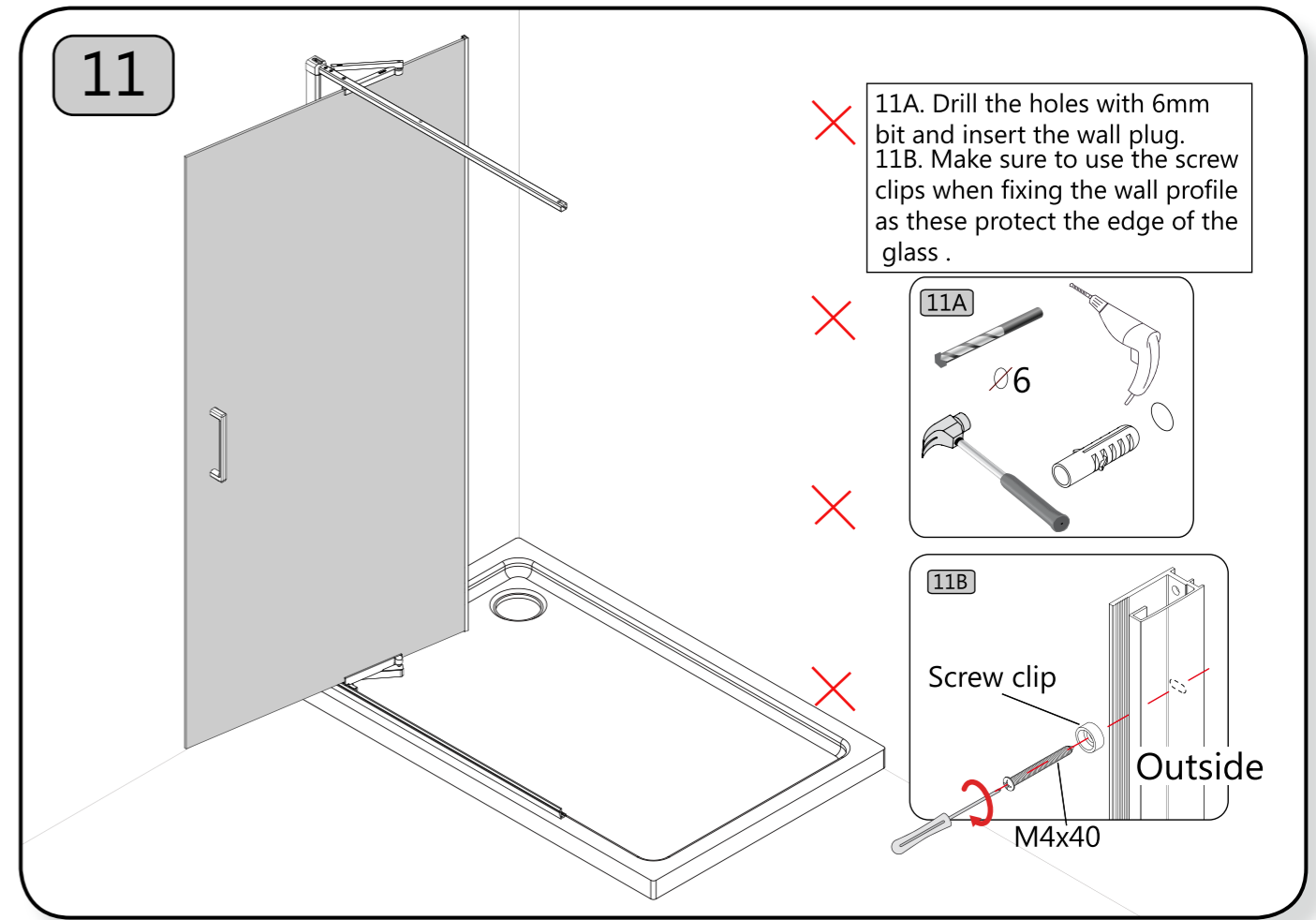
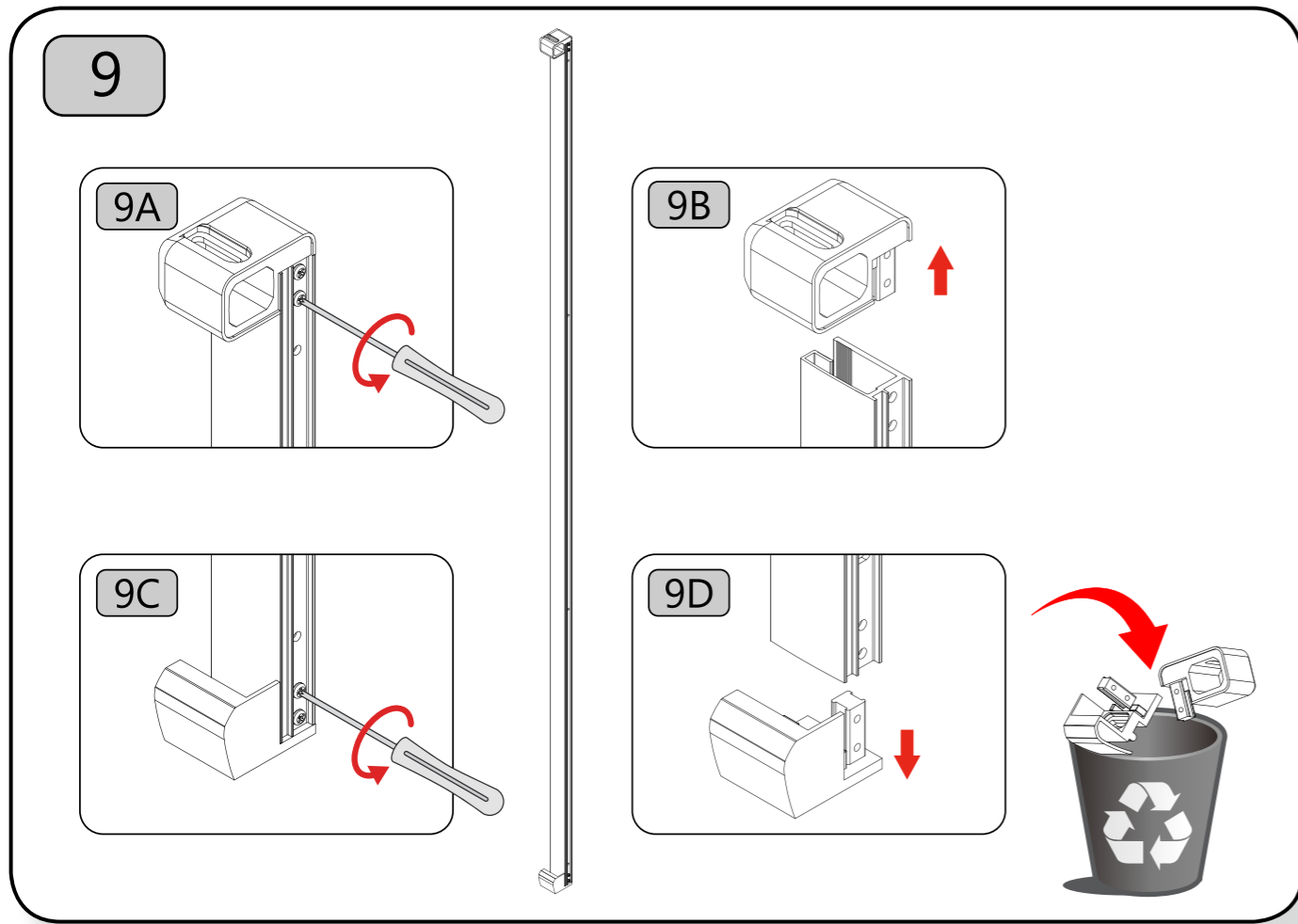


NOTE: Left hand configuration shown throughout this installation guide

4

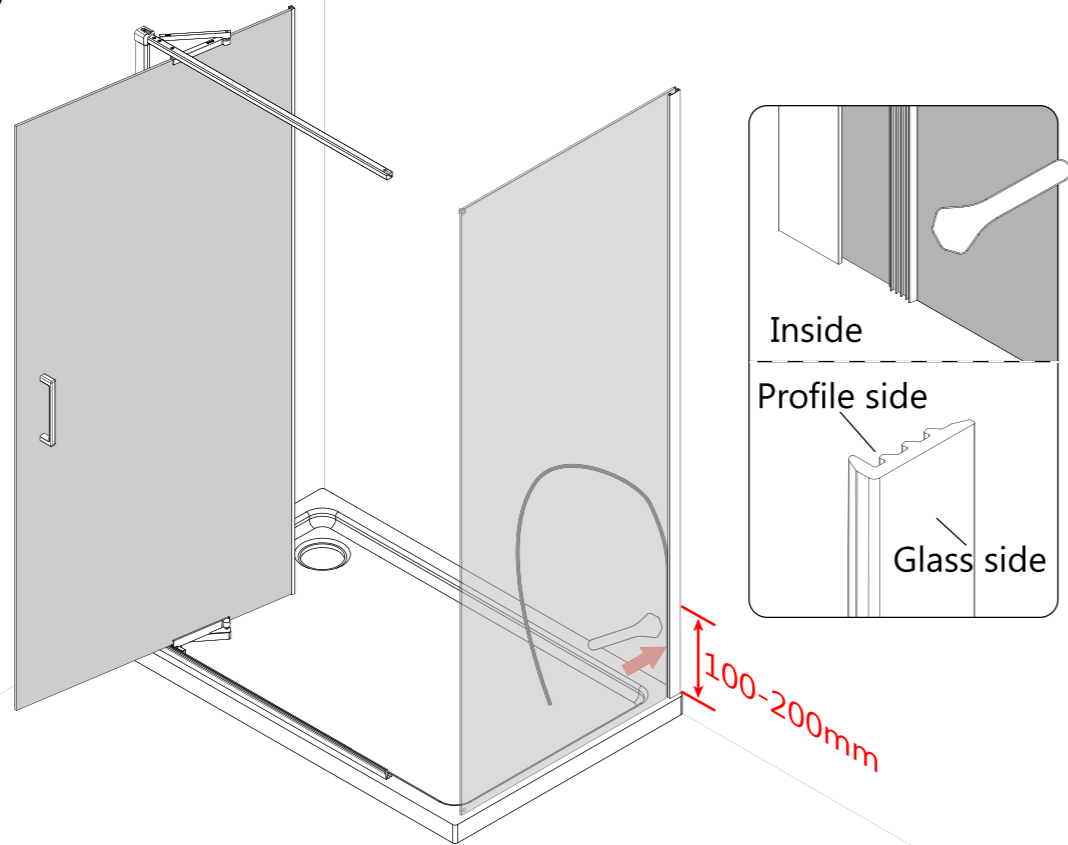






13

Adjust the side panel in and out of the wall profile to ensure the distance from the tray edge to the bottom profile is equal on each end.



15

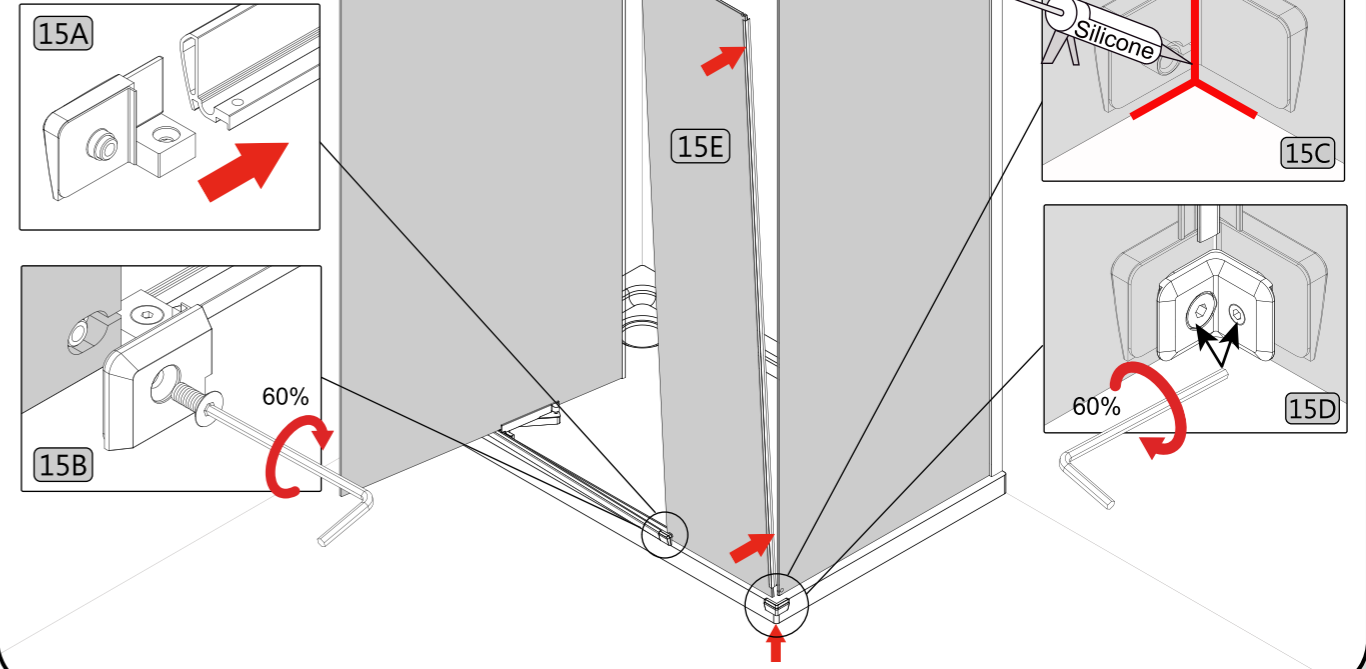
15A

15B

15E

15C

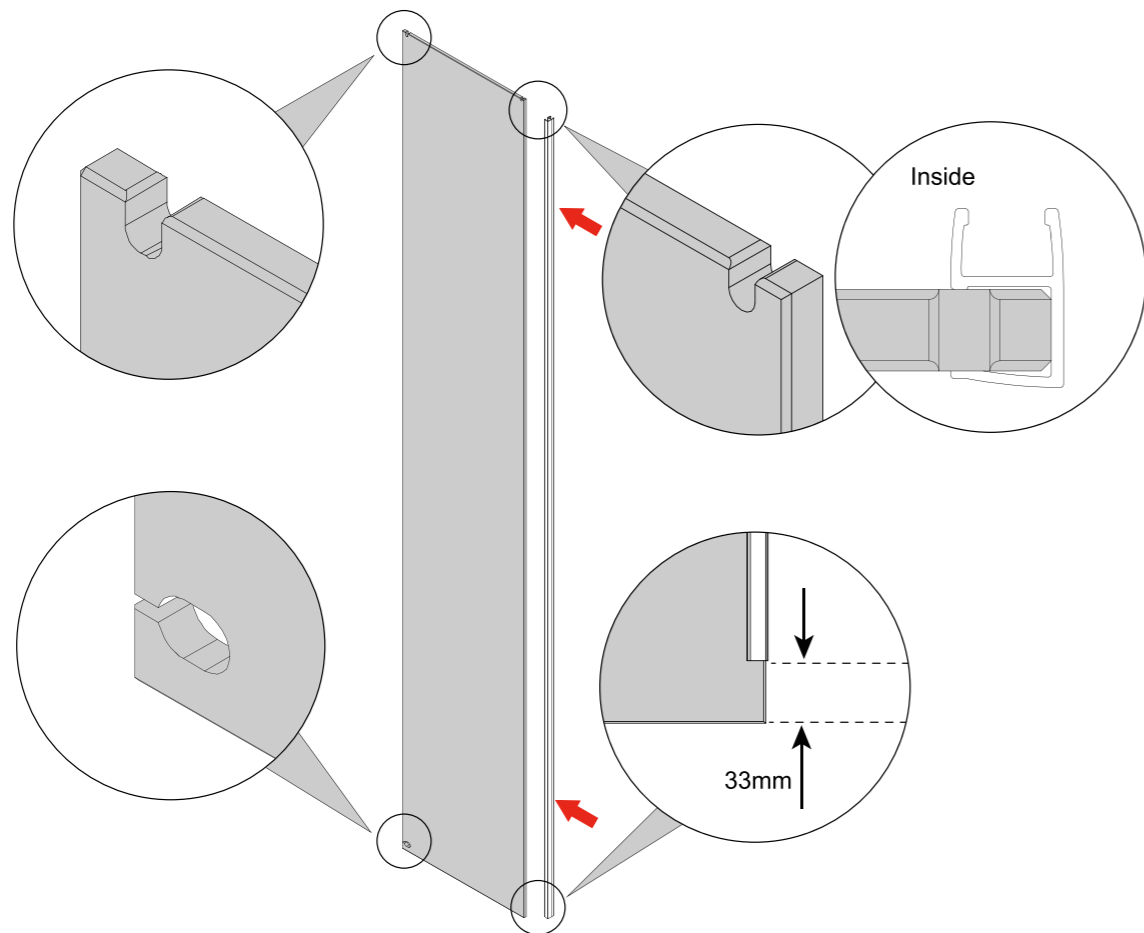
15D



14

Inside

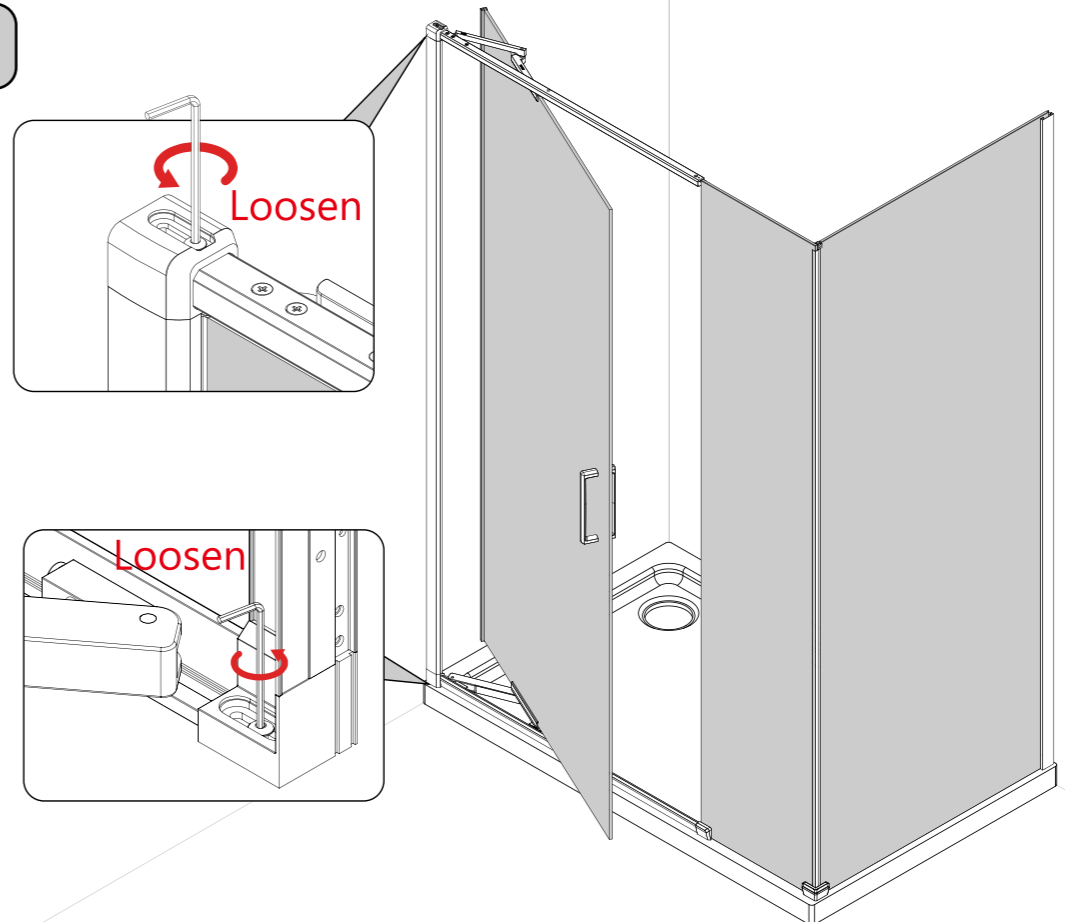
33mm

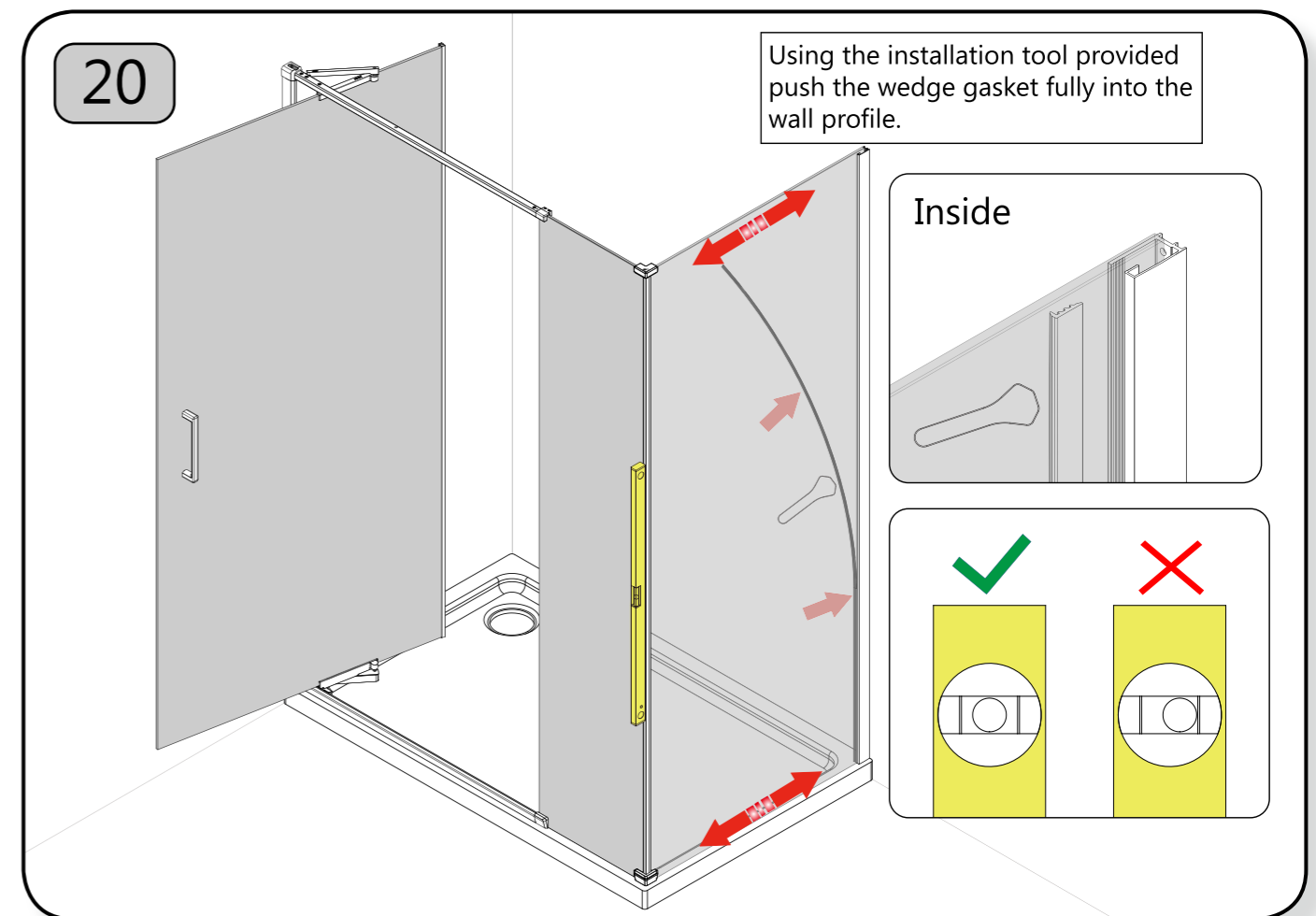
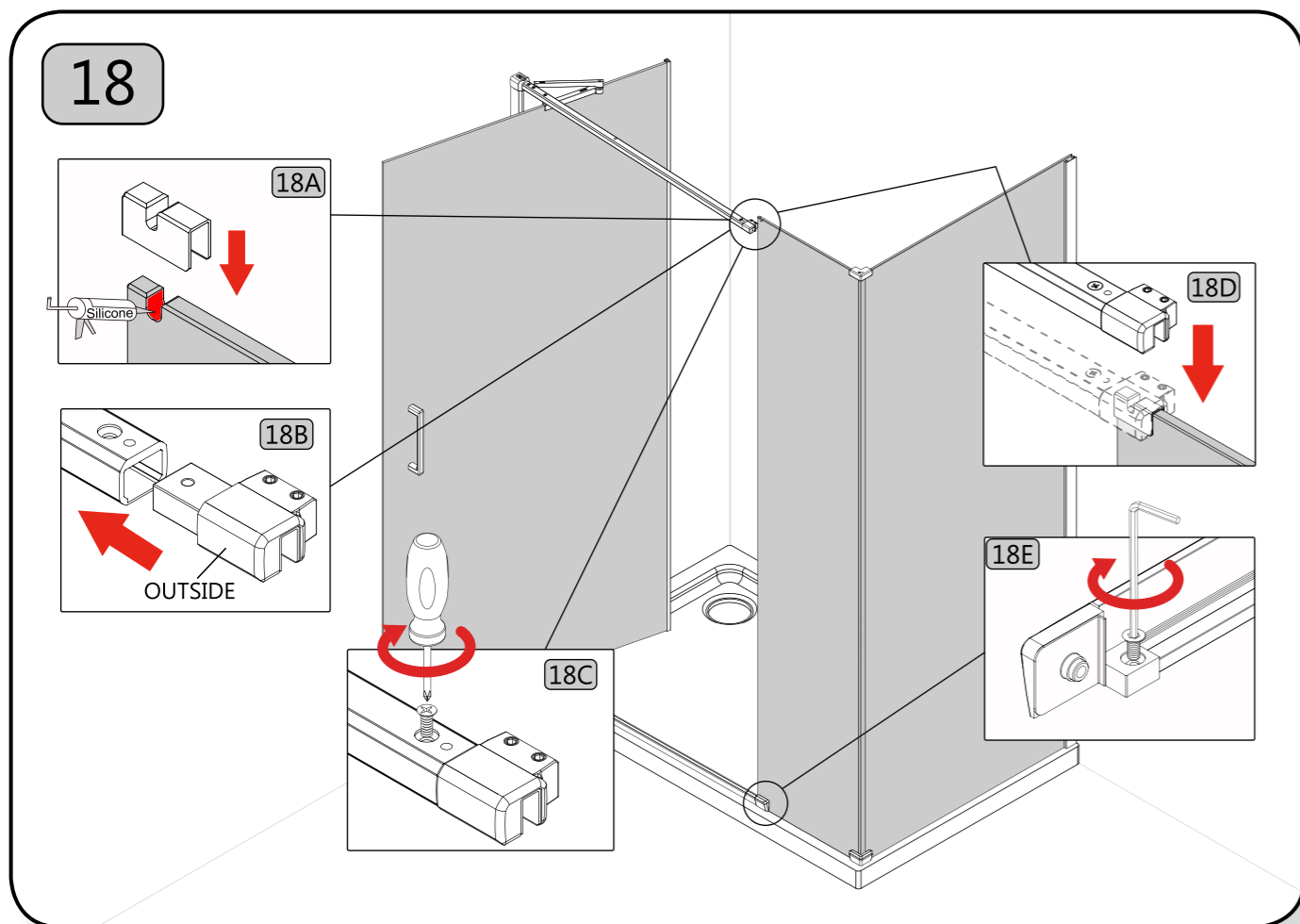
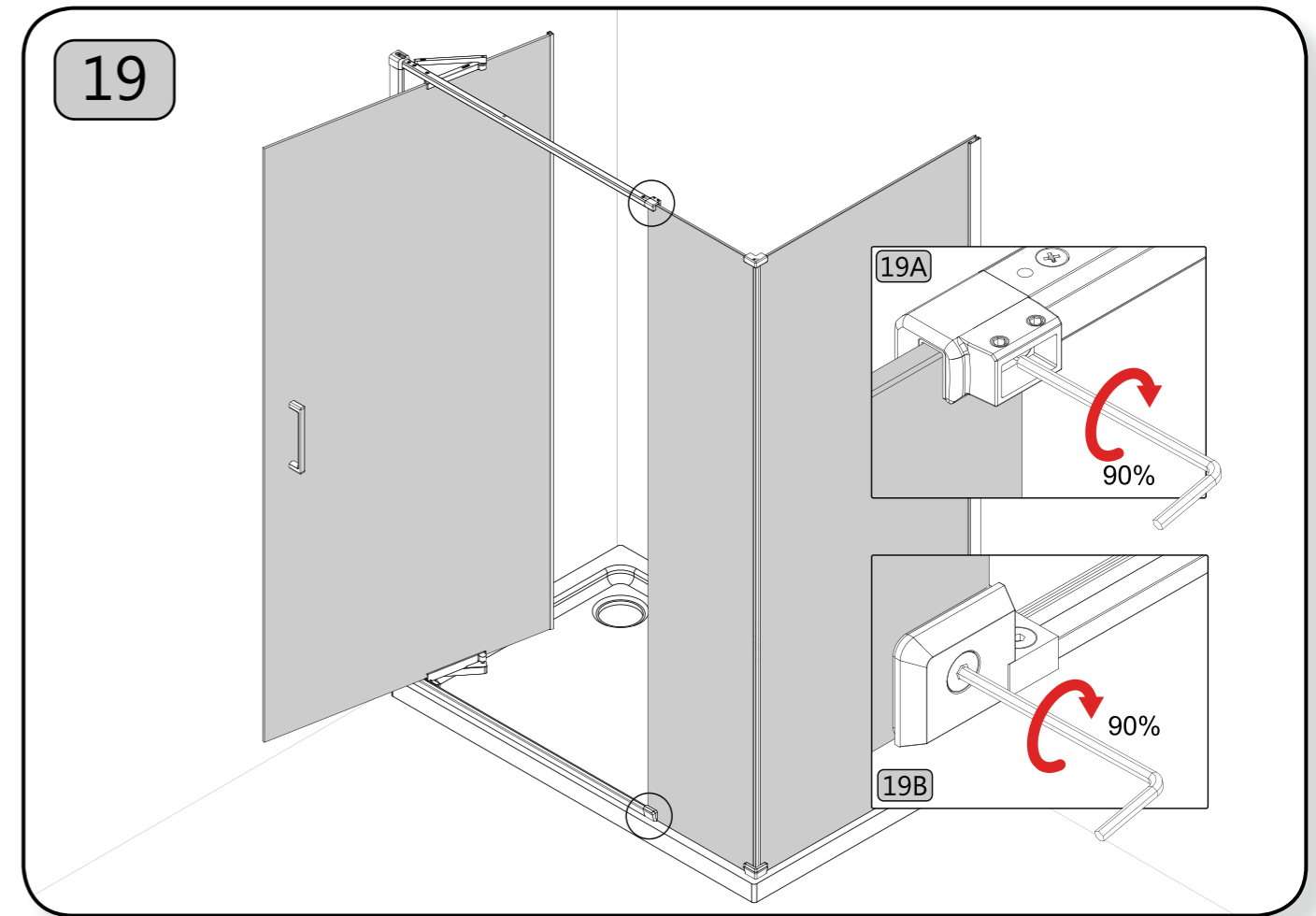
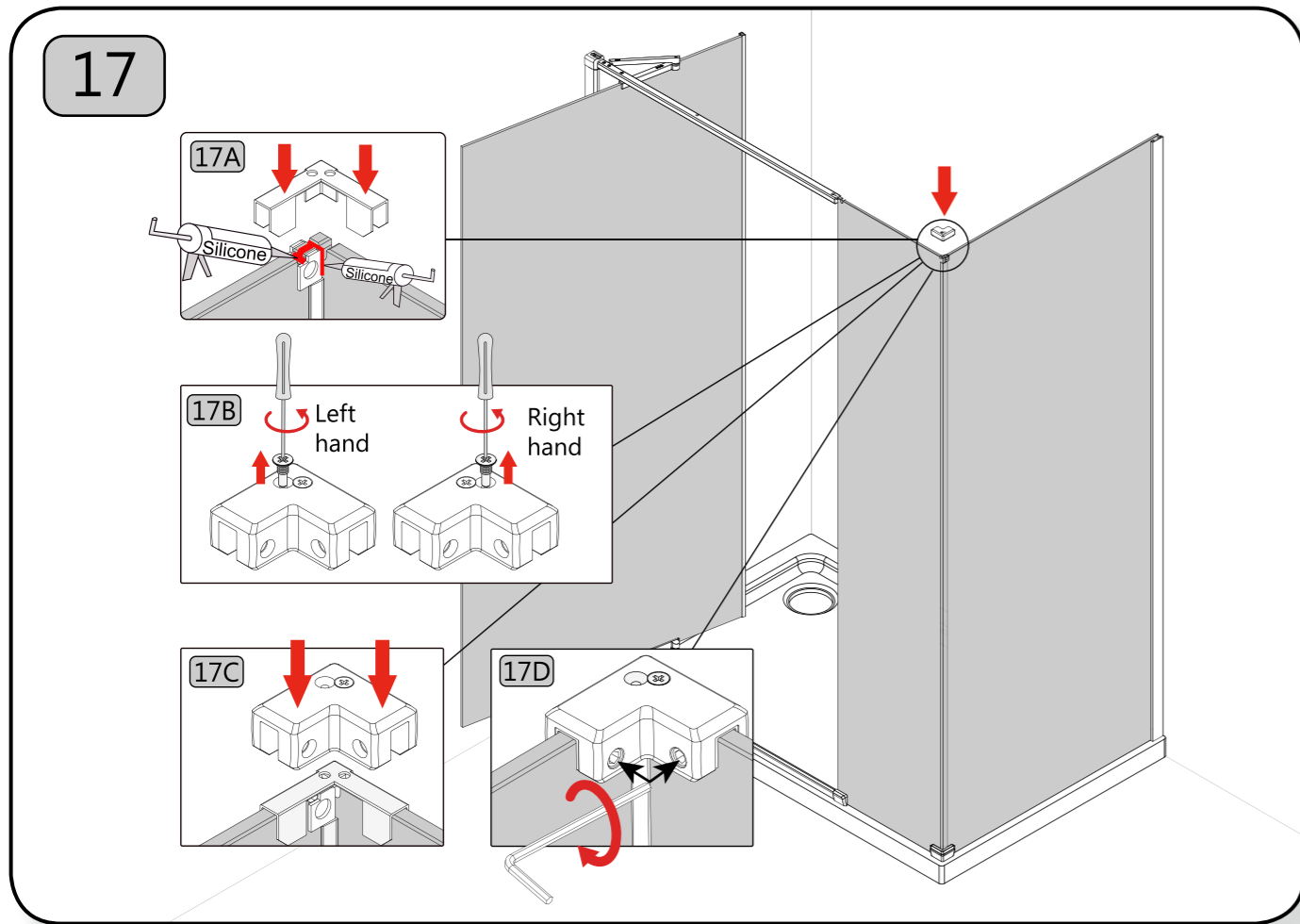


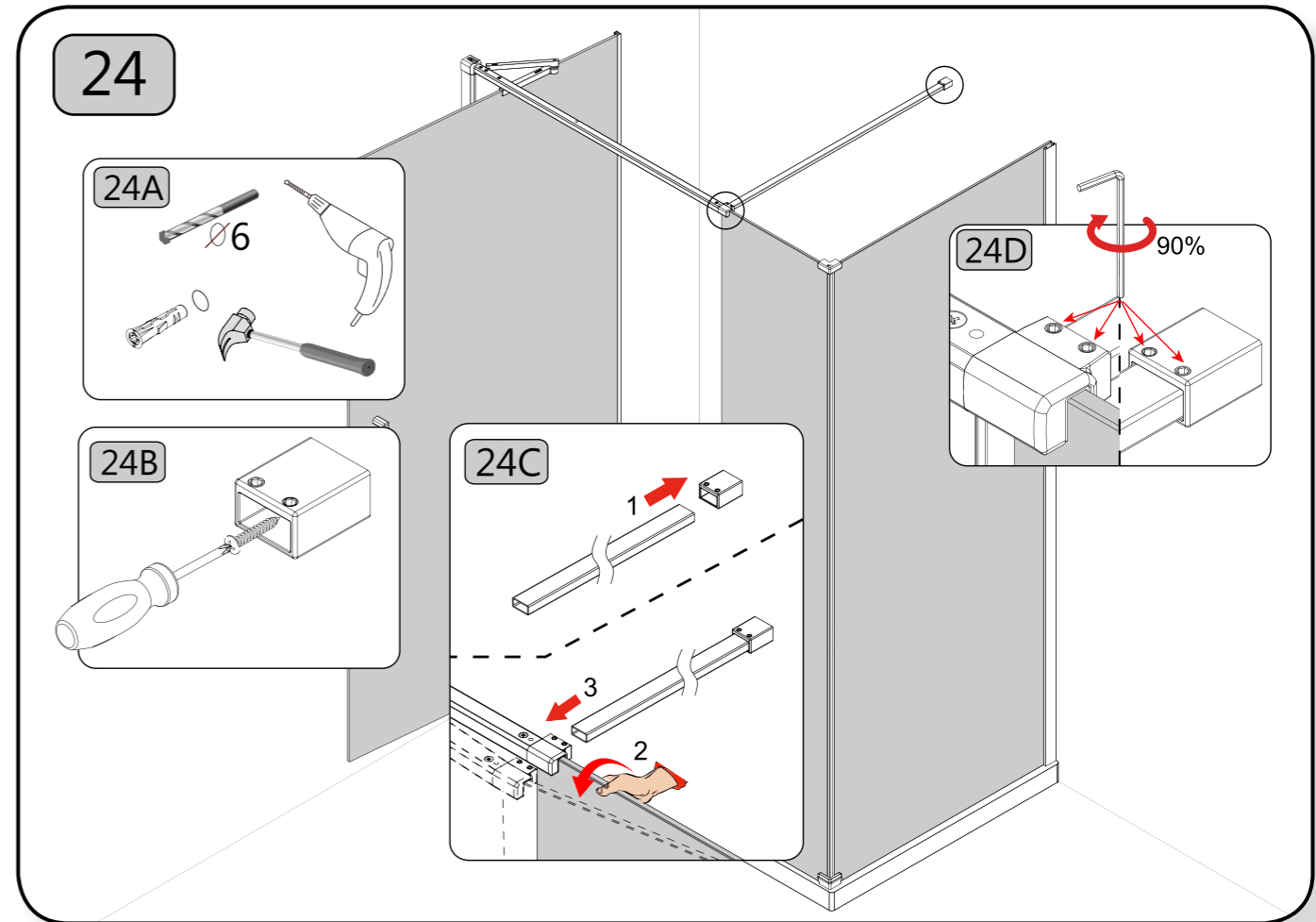
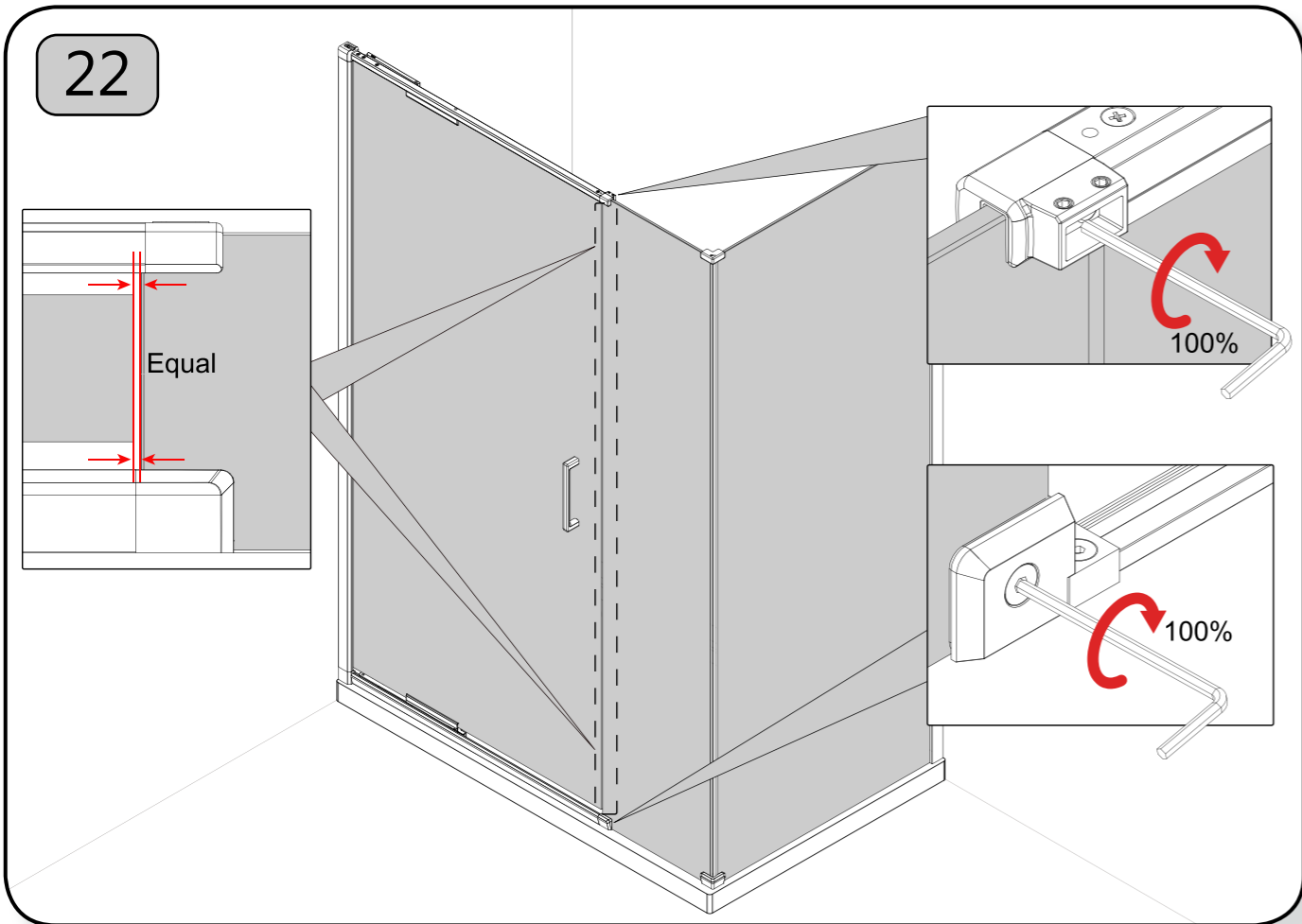
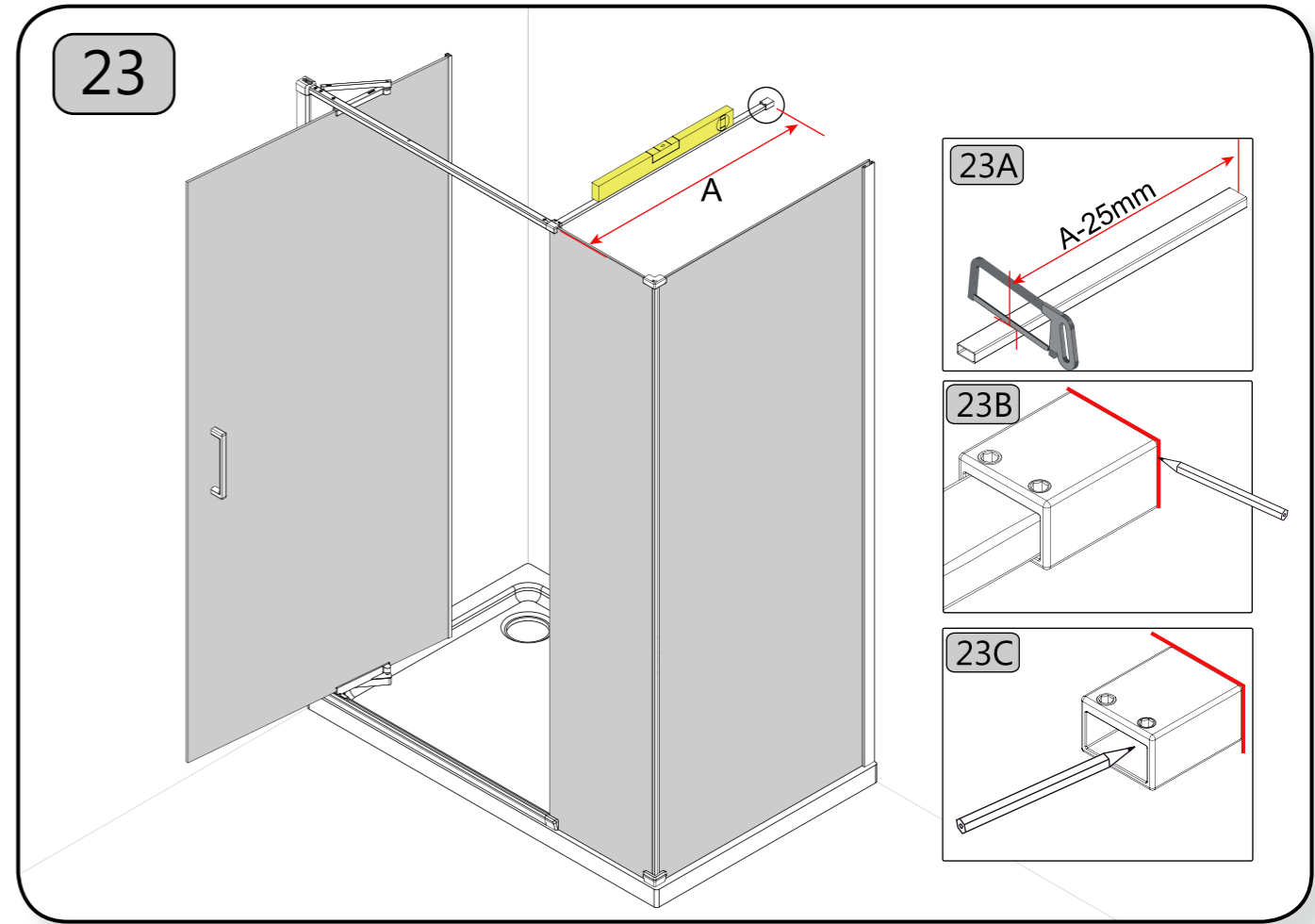
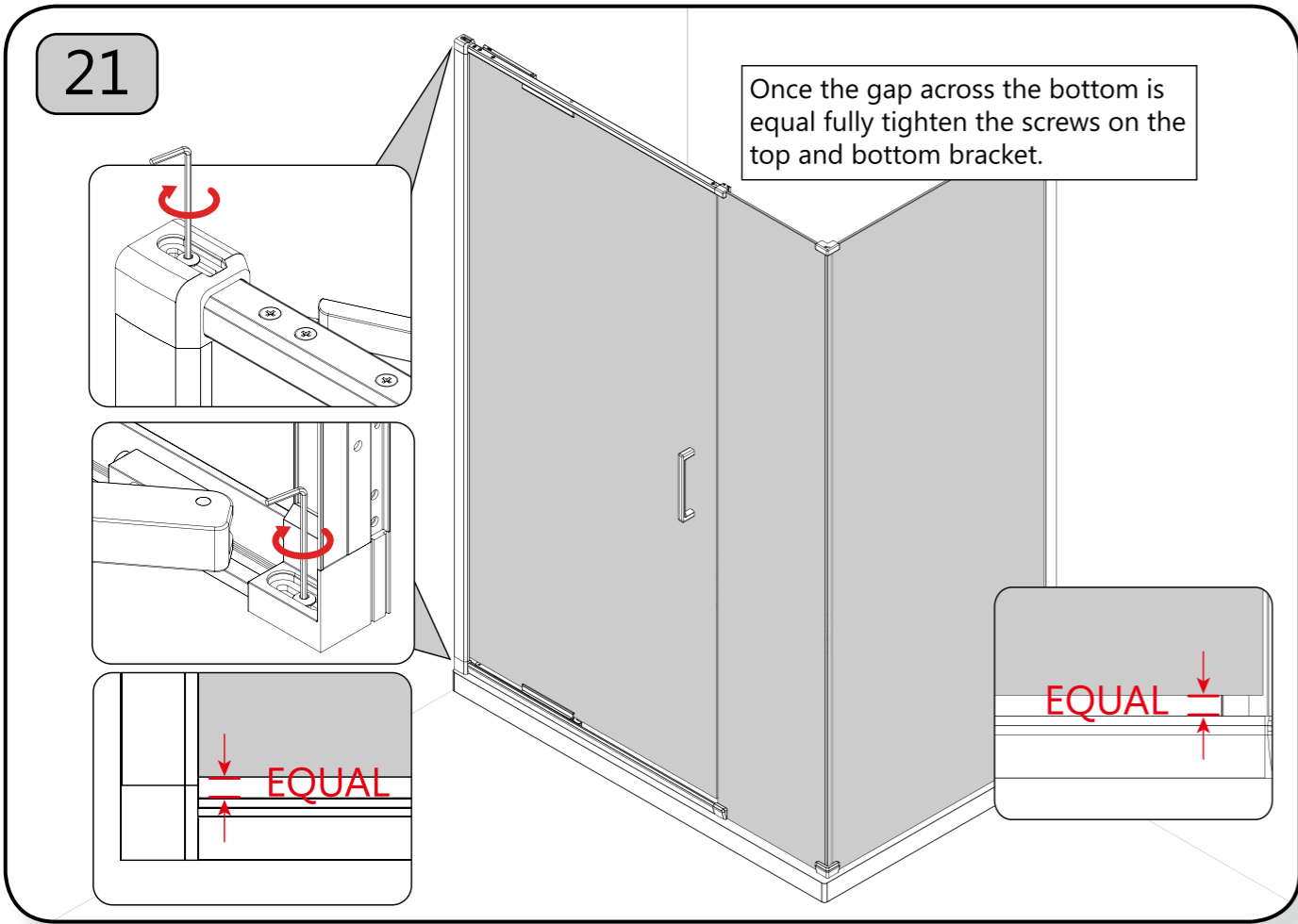
16

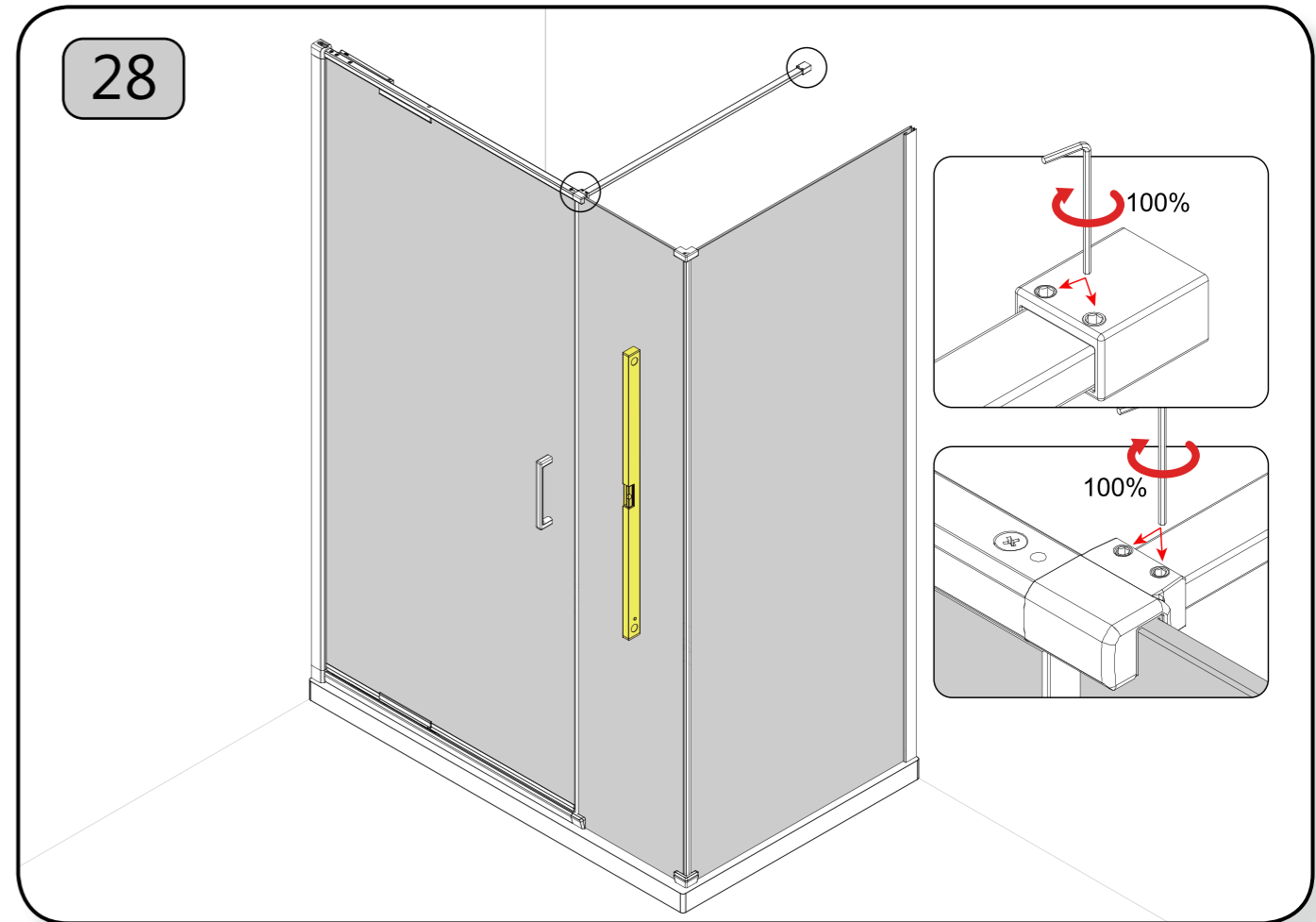
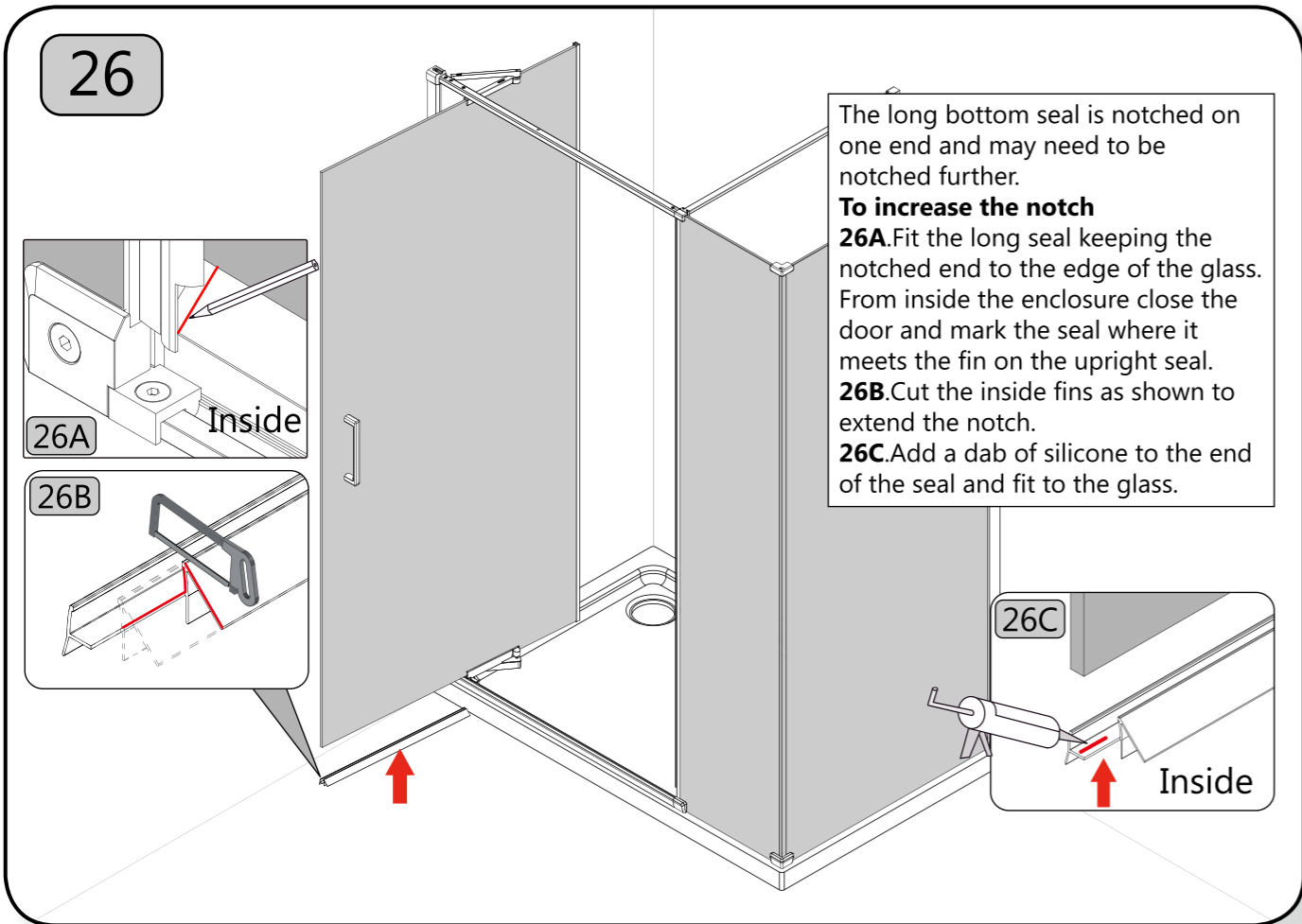
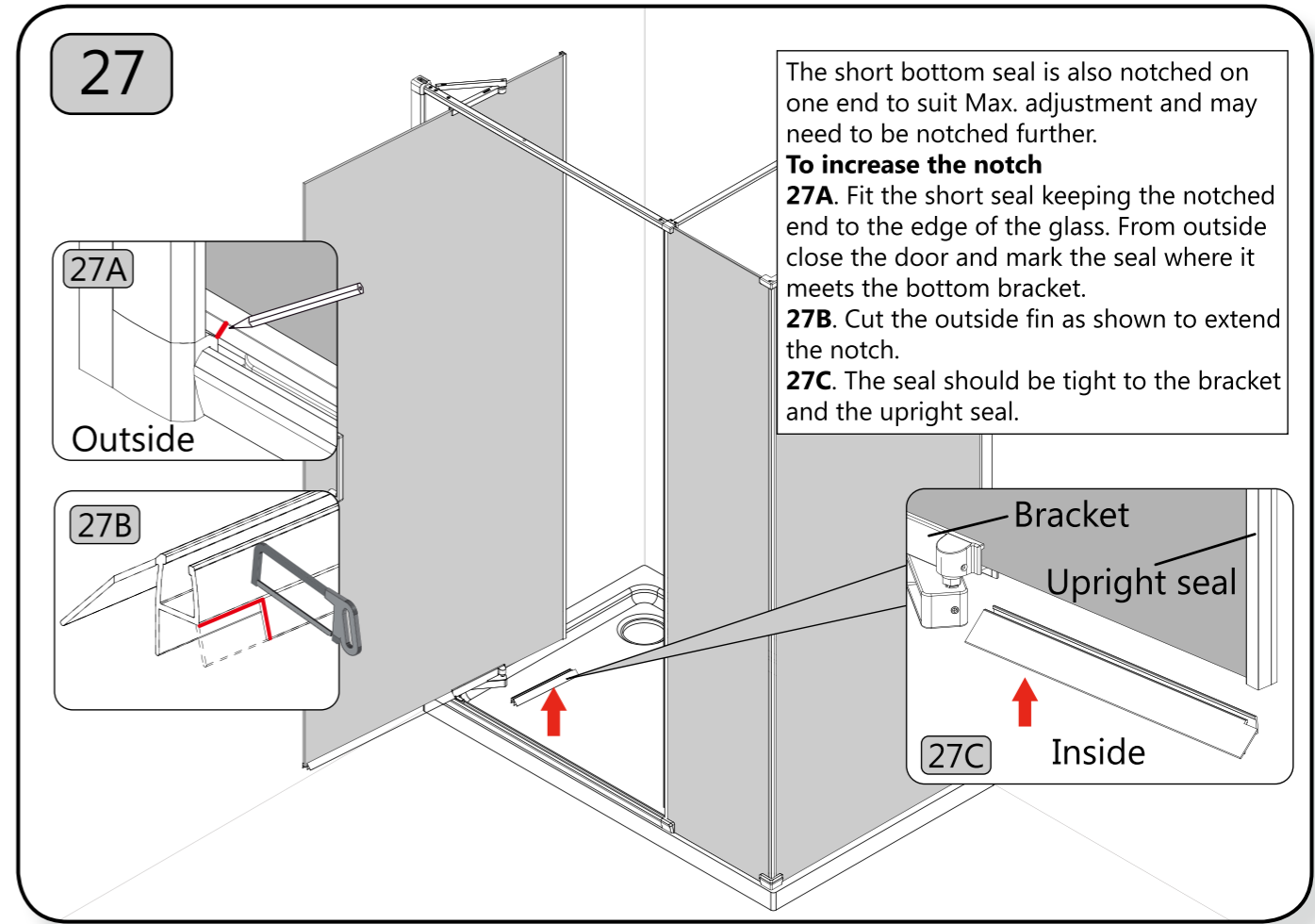
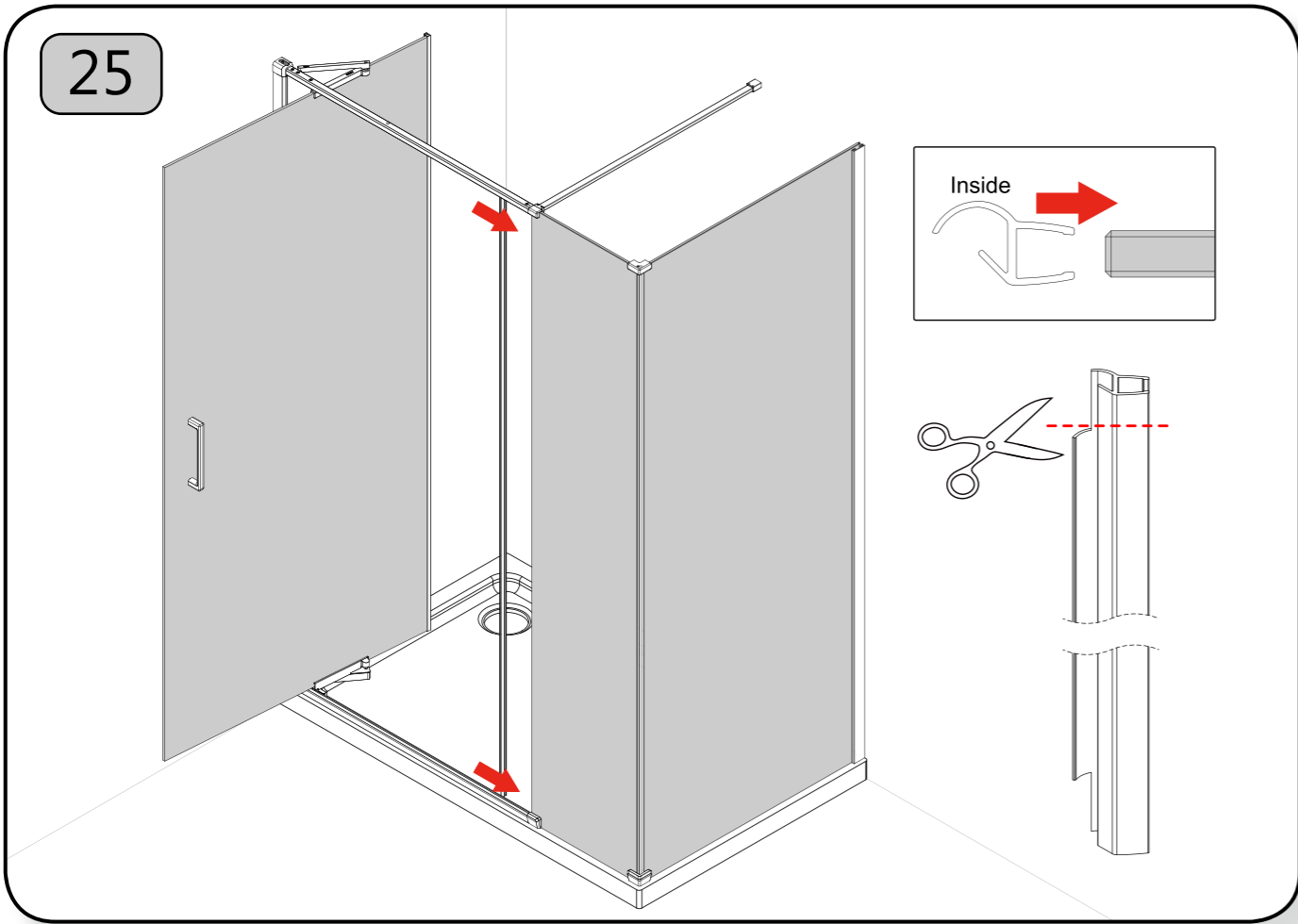
Loosen

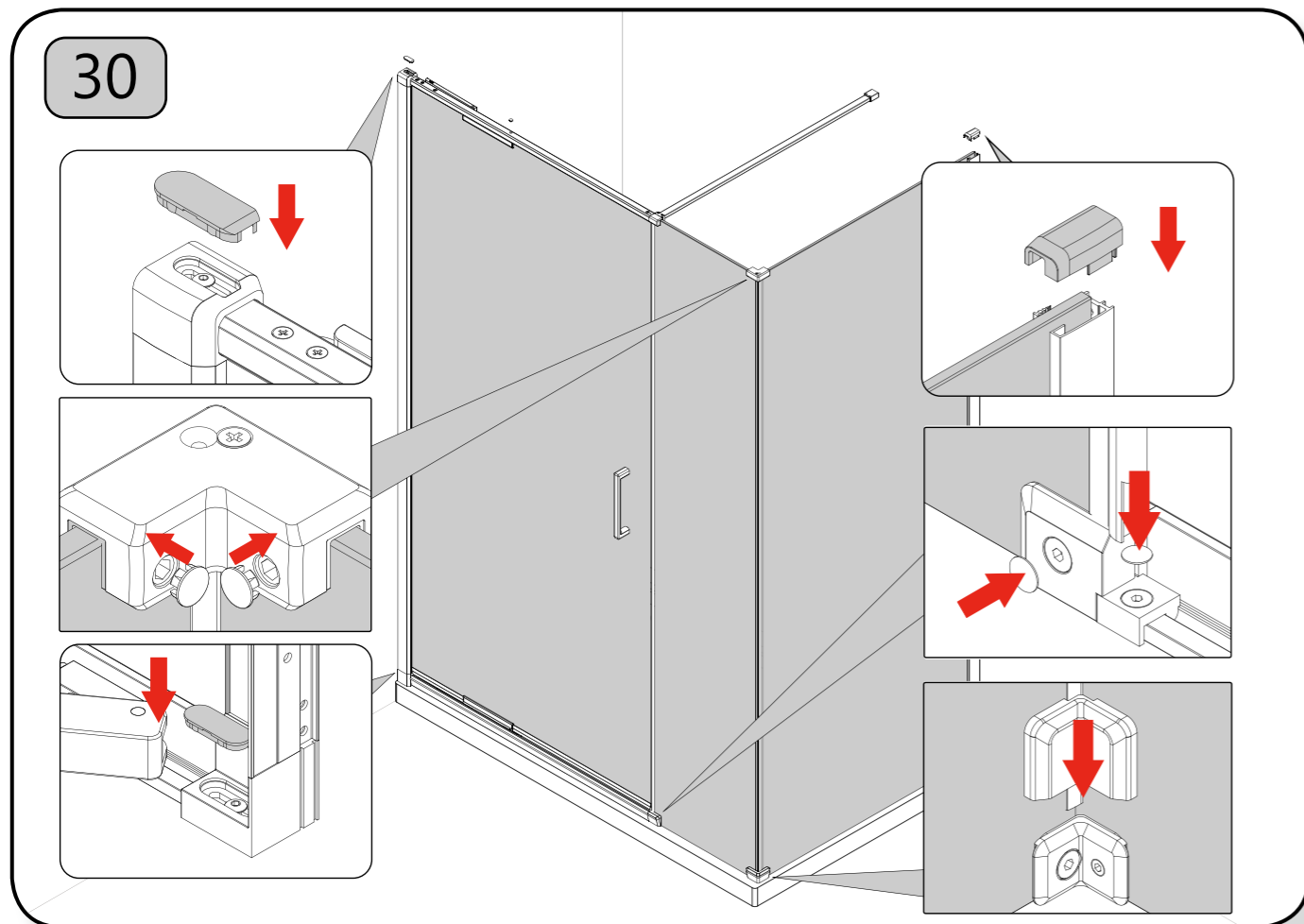
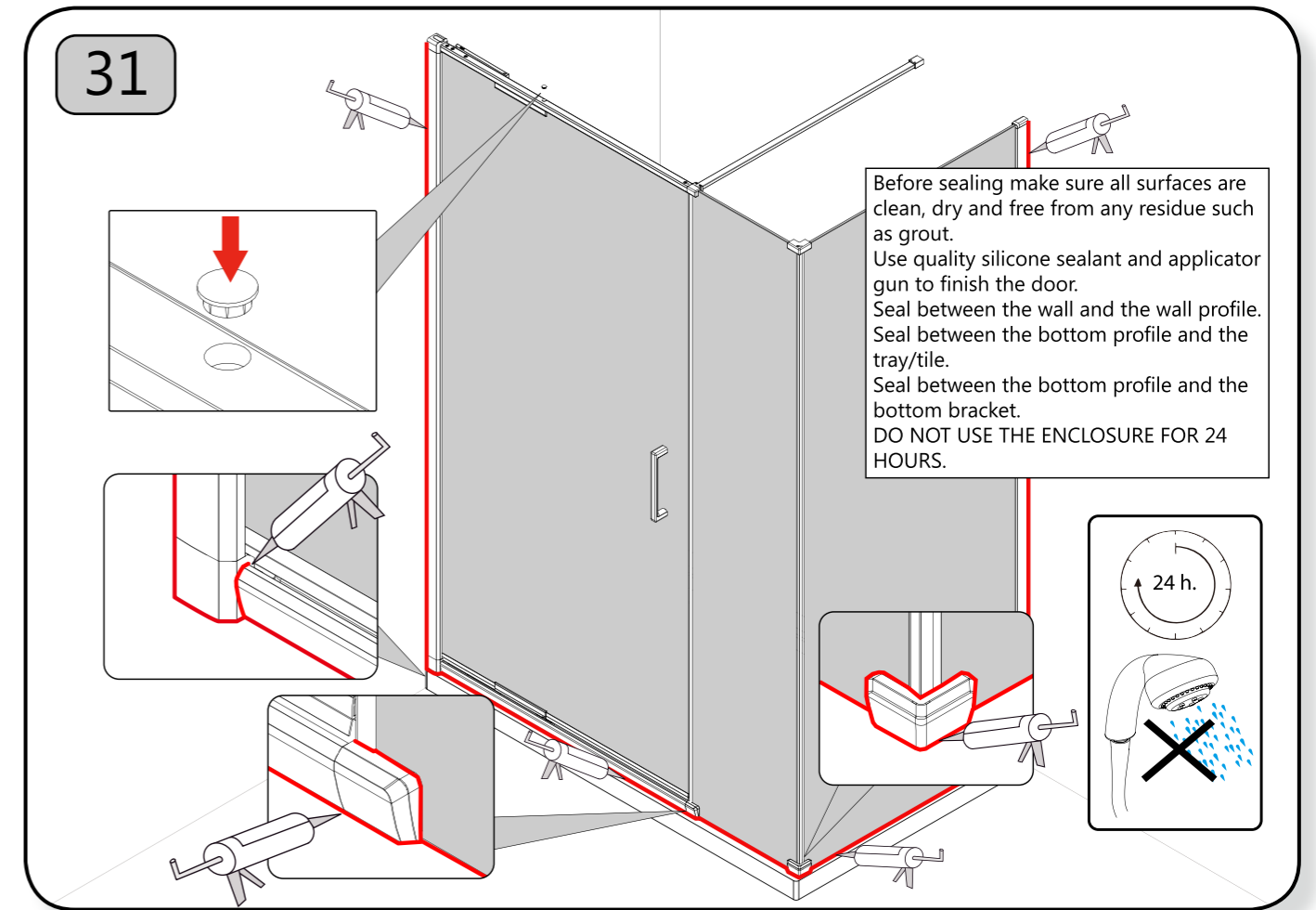
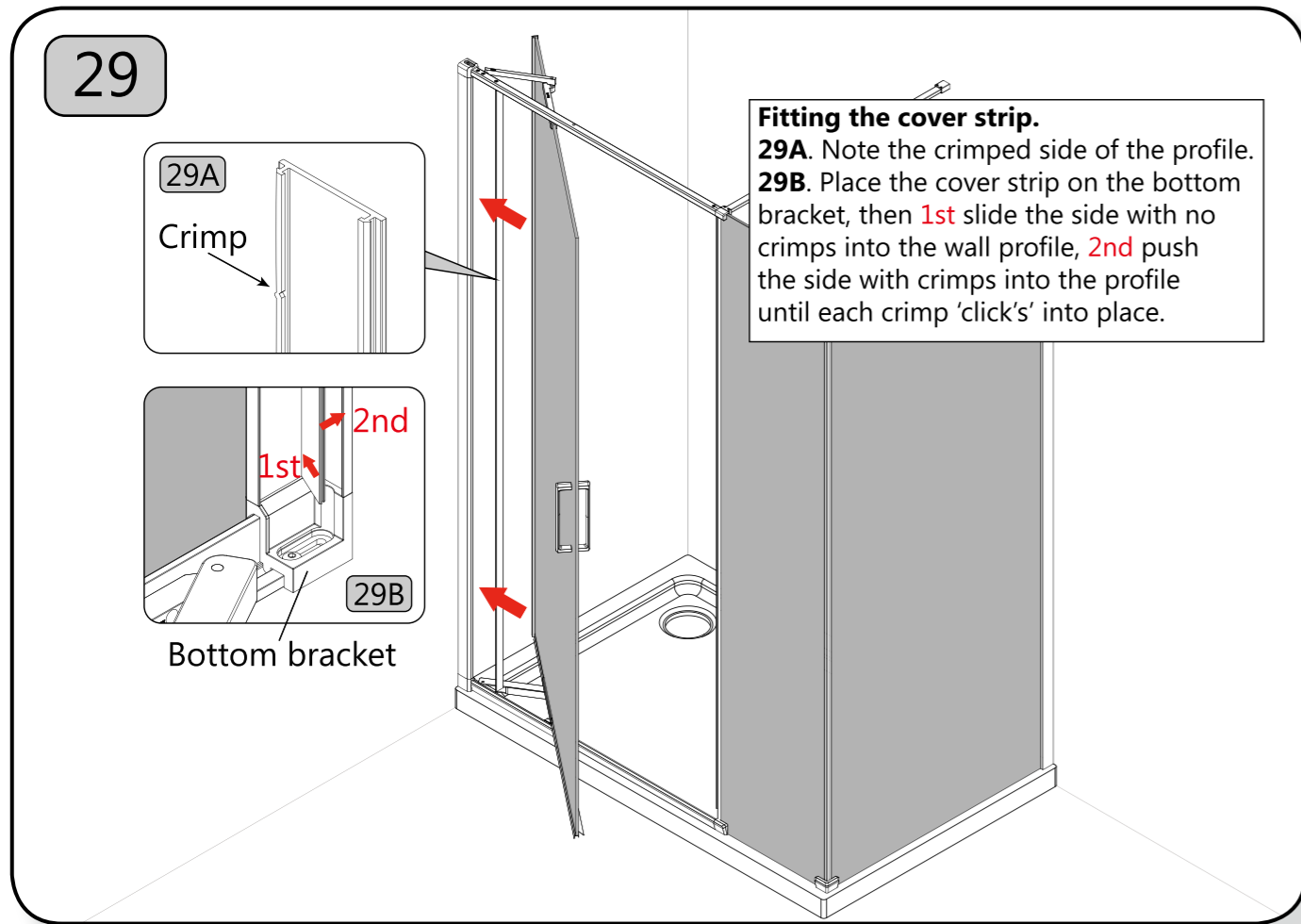
Loosen











CE	
Merlyn Industries LTD (MER 11)	
DOP:CE8SP1.2	
19	
EN 14428	
Shower enclosures with aluminium profiles and safety glass	
Cleanability	:Pass
Impact resistance/ shatter properties	:Pass
Durability	:Pass

To download the Declaration of Performance (DOP) for this product please use the link below.

<https://merlynshowering.com/aftersales-support/dop-certs/>

For further information please contact: IRL:0567791555 UK:08081011429