

ENC90



Collection: KYREO

Finish\*:



00 - Blanc

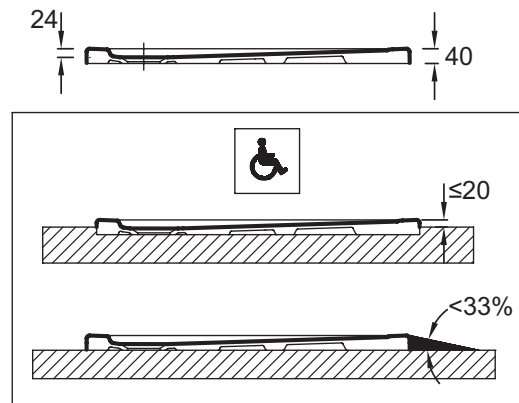
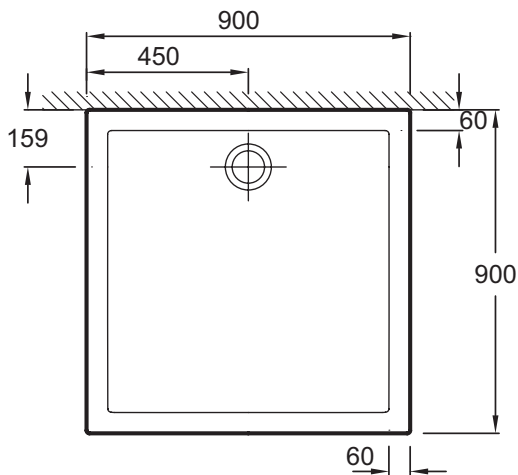
Main features:



Features

- DIMENSIONS: 90 x 90 x 4 cm
- MATERIAL: Ceramic
- NORMS AND REGULATION: NF
- WASTE DIAMETER: 9
- ADHERENCE: PN6
- WEIGHT: 29 kg
- INSTALLATION TYPE: Floorstanding or inset
- SHAPE: Square
- SURFACE PATTERN: Smooth

Technical drawing



Product Specification: Extra-slim shower tray. ENC90. Collection: KYREO. DIMENSIONS: 90 x 90 x 4 cm. WEIGHT: 29 kg. MATERIAL: Ceramic. INSTALLATION TYPE: Floorstanding or inset. NORMS AND REGULATION: NF. SHAPE: Square. WASTE DIAMETER: 9. SURFACE PATTERN: Smooth. ADHERENCE: PN6.

\*Due to possible variations in computer and printer calibrations, technical factors and certain finish characteristics, the colors you see may not accurately portray the actual colors and are provided as a guide only.