

Walraven VibraTek® MS-2X Spring Mount

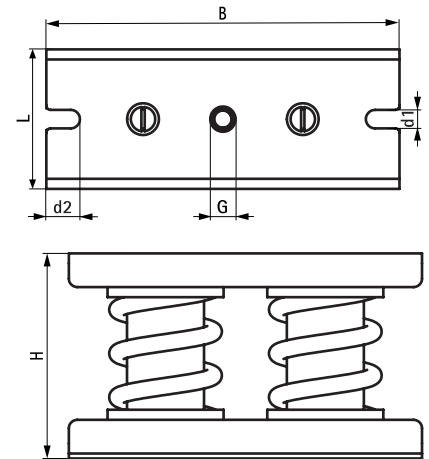
(L2 05 12)

high performance spring isolator for medium to heavy machinery



Свойства и преимущества

- recommended for equipment with low working speeds, from 600 RPM and above
- epoxy powder-coated base, caps and springs provide increased resistance to corrosion
- flexible internal filler prevents debris and solid elements entering and damaging the spring under load
- ribs in the metal base provide increased stiffness
- slot holes facilitate positioning and anchoring to the base material



Арт. №	G	L	B	H	d1	d2	Min. Load (Н)	Max. Load (Н)	Min. Optimal Load (Н)	Max. Optimal Load (Н)	Max. Deflection (мм)	Уп.мин
2802003000	M12	83 mm	210	122	11	20	300	3 000	600	2 760	25,0	5
2802004000	M12	83 mm	210	122	11	20	400	4 000	800	3 680	25,0	5
2802006000	M12	83 mm	210	122	11	20	600	6 000	1 200	5 520	25,0	5
2802008000	M12	83 mm	210	122	11	20	800	8 000	1 600	7 360	25,0	5
2802010000	M12	83 mm	210	122	11	20	1 000	10 000	2 000	9 200	25,0	5
2802012000	M12	83 mm	210	122	11	20	1 200	12 000	2 400	11 040	25,0	5

See Product Data Sheet for further technical information.