

MEM Wall valve clockwise closing 1/2" - Chrome

MEM

36 604 782



- With hammered effect texture
- rosette 60 x 60 mm
- head part with cut-to-length spindle and sleeve
- WRAS 2011026

	Chrome	36 604 782-00
	Brushed Platinum	36 604 782-06
	Platinum	36 604 782-08
	Dark Chrome	36 604 782-19
	Brushed Durabress (23kt Gold)	36 604 782-28
	Brushed Champagne (22kt Gold)	36 604 782-46
	Champagne (22kt Gold)	36 604 782-47
	Brushed Dark Platinum	36 604 782-99

Required miscellaneous



Wall valve 1/2" -

35 607 970 90

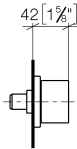
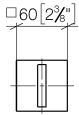
- max. recess depth 150 mm
- min. recess depth 105 mm

MEM Wall valve clockwise closing 1/2" - Chrome

MEM

36 604 782

mm [inches]



Codes & Standards

DIN 4109

ISO 3822

Scottish Water
Byelaws

UK Water Supply
Regulations

Ü-Zeichen

Certificates

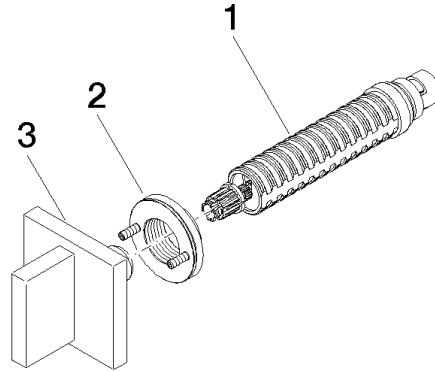
WRAS_2010

LGA_29

WRAS_2011

36 604 782

Product version from 9/1/2022





MEM Wall valve clockwise closing 1/2" - Chrome

MEM

36 604 782

Spare parts list

Product version from 9/1/2022

No.	Item Number	Name	Quantity used	Delivery time
	90 90 03 143 00 90	top	3	2