

COMPAKT WORKTOP WITH CERAMIC SEMI INSET BASIN DEPTH 51CM

MATERIALS

• **Worktop:**

- Compact material with design according to finish.

* All panels used in the manufacture of this unit are classed as E-1 grade with low level of formaldehyde content.

E-1

STANDARD EN 120

QUALITIES AND CERTIFICATES

	Waterproof		Wear resistant
	Anti-bacterial		Dirt repellent
	Fireproof		Resistant to chemicals and staining agents
	Bespoke		Closed and impermeable surface



100% CERTIFIED:

(The tested samples meet the requirements specified in the UNE EN 14688:2016 standard, "Sanitary appliances, washbasins, functional requirements and test methods" and their designation corresponds to EN 14688-CL00.

FITTINGS

• **Fixing brackets:**

- Fixing brackets included.
- 600 / 1200 : 2 holders (415X105) adjustment system+ 1 wall hangers
- 1210 / 1600 : 3 holders (415X105) adjustment system + 2 wall hangers
- 1610 / 2500 : 4 holders (415X105) adjustment system +3 wall hangers

FINISHES

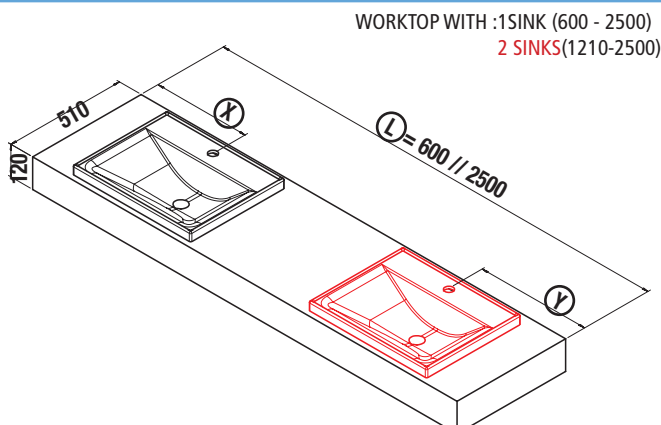


Grey stone White marble Cement Artic Oak African Oak Havana Oak

BASINS AVAILABLE

- **Ceramic semi inset basin:** included

DIMENSIONAL SKETCH



WORKTOP WITH :1SINK (600 - 2500)
2 SINKS(1210-2500)

PACKAGING DIMENSIONS AND WEIGHT (mm)

1 SINK	600 - 800	810 - 1000	1010- 1200	1210- 1400	1410- 1600	1610- 1800	1810- 2000	2010- 2500
Lenght mm.	845	1045	1245	1445	1645	1845	2045	2545
Depth mm.	555							
Height mm.	180							
Net weight Kg.	11,3	12,4	13,9	16,11	17,56	19,1	22,7	24,8
Gross weight Kg.	12,4	13,84	15,6	17,8	19,8	21,2	24,9	26,7

2 SINKS	1210- 1400	1410- 1600	1610- 1800	1810- 2000	2010- 2500
Lenght mm.	1445	1645	1845	2045	2545
Depth mm.	555				
Height mm.	180				
Net weight Kg.	18,2	19,6	21	22,5	26,8
Gross weight Kg.	19,8	21,85	23,3	24,75	28,9