

## Features

- In-line heater provides continuously heated water for consistent comfort.
- Front and rear wash modes provide warm water for cleansing.
- Adjustable water temperature and water pressure.
- Choose oscillating or pulsating spray.
- Touchscreen remote control with two programmable user presets.
- Stainless steel wand with automatic UV-light self-sanitization.
- Heated seat with adjustable temperature settings.
- LED lighting illuminates the bowl to serve as a nightlight.
- Warm-air drying system with adjustable air speed and temperature.
- Carbon filter for odor control.
- Quiet-Close™ prevents slamming by slowly bringing the toilet seat and lid to a gentle close.
- Quick-Release™ hinges allow seat to be unlatched from toilet for easy removal and convenient cleaning; no tools required.
- Grip-Tight bumpers hold seat firmly in place.
- Ergonomically designed for comfortable seating.
- Continuously heated water for consistent comfort.
- Automatic deodorization function.
- Energy save function.
- Antimicrobial materials used in seat and nozzles.
- Air blower function allowing selection of air speed and temperature.
- Single stainless steel wand with adjustable water pressure, temperature, and pulsate settings.

## Material

- Plastic.

## Installation

- Fits most elongated toilets.

## Included Components

Additional Components:

- Remote
- Supply hose



## Codes/Standards

ASME A112.4.2/CSA B45.16  
UL 1431  
CSA C22.2 No. 64  
CSA C22.2 No. 68

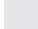

## KOHLER® Intelligent Toilet and C3® Cleansing Seat Three-Year Limited Warranty

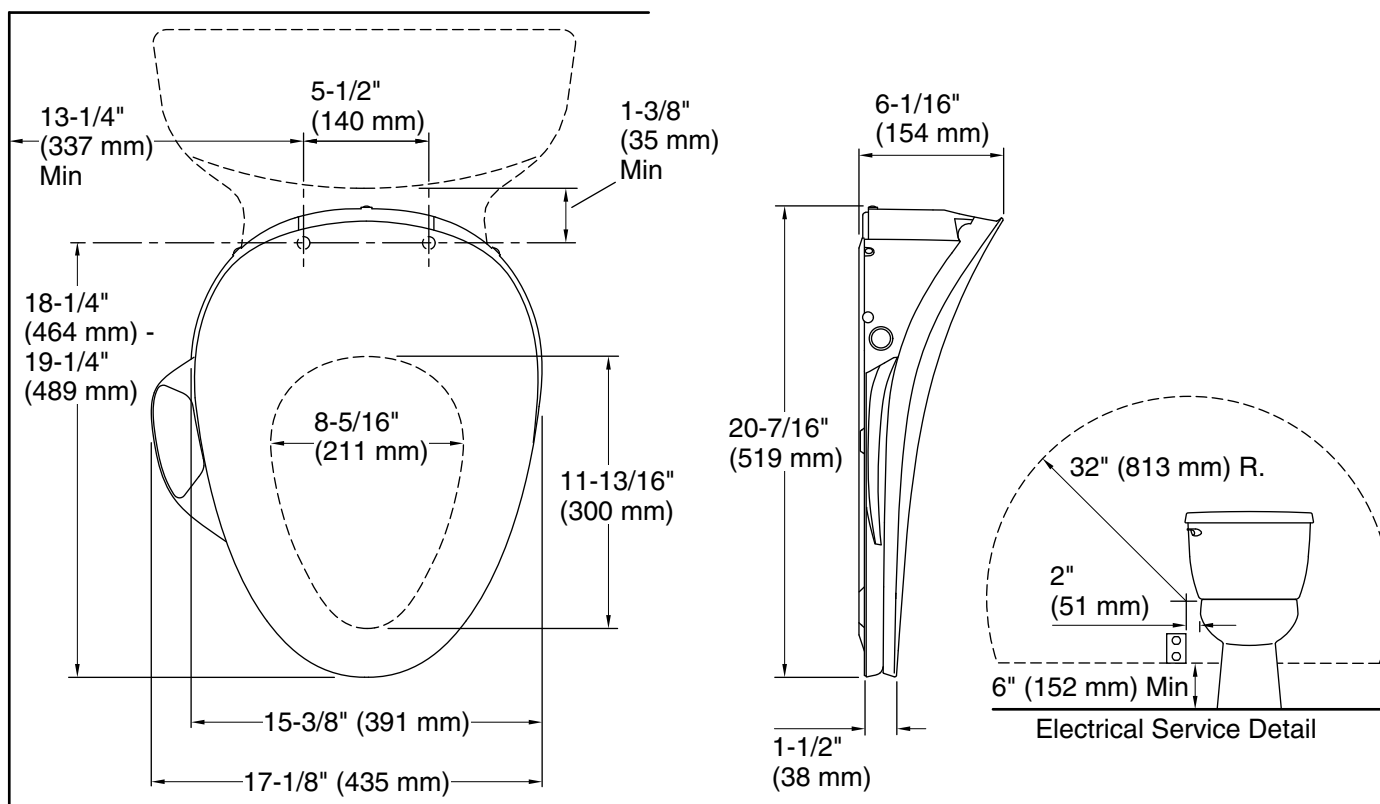
See website for detailed warranty information.

## Available Colors/Finishes

*Color tiles intended for reference only.*

Color	Code	Description
-------	------	-------------

	0	White
	96	Biscuit



#### Required Electrical Service

One dedicated circuit required, protected with Class A Ground-Fault Circuit-Interrupter (GFCI). Outside North America, this device may be known as a Residual Current Device (RCD).

Bidet toilet seat: 120 V, 15 A, 60 Hz

#### Technical Information

All product dimensions are nominal.

Seat shape type: Elongated

Seat front type: Closed-front

Seat-mounting holes: 5-1/2" (139 mm)

Electrical component rating: Bidet toilet seat: 120 V, 15 A, 60 Hz

Power cord length: 46" (1168 mm)

#### Notes

Install this product according to the installation guide.

Connect the seat to a cold water supply of drinking quality water at a pressure of 20 psi - 80 psi (139 kPa - 551 kPa).

Do not install this seat in a location where: (1) water might be splashed on the product or (2) excessive moisture, high humidity levels, or condensation is present. This will avoid damage to the electronic components.

**CAUTION:** Risk of property damage. A single extension cord may be used provided the cord "Type" begins with "SJ", 12 gauge, grounded (12/3), no longer than 25 feet, and plugged into a GFCI outlet. Promptly replace any extension cord that exhibits any sign of damage.

To avoid possible product malfunction, do not plug in the seat until instructed to do so.

Locate the receptacle at least 6" (152 mm) above the floor, and within a 32" (813 mm) radius measured 2" (51 mm) from the bowl ledge.