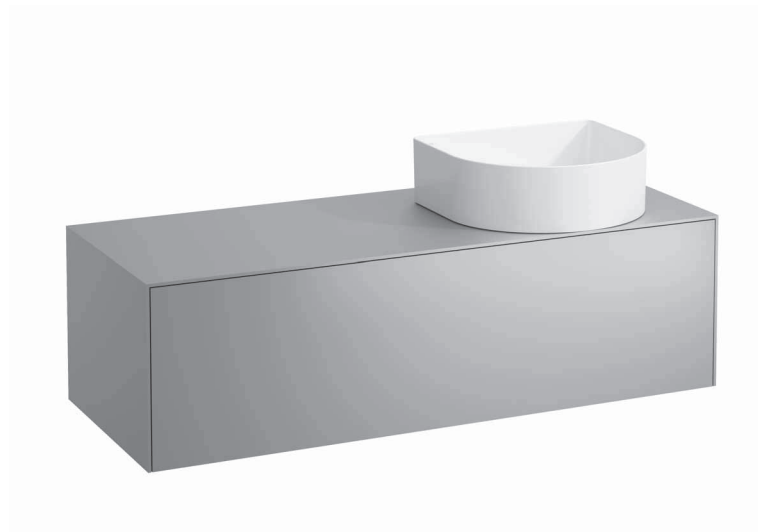


Drawer element with cut out right

40542.3



TECHNICAL DATA

| | | | |
|--------------------|----------------------------------------------------------------------------------------------------------------------------------------------------------------------------------------------------------------------------------------------|----------------------|------------------------------------------------------------------------------------------------------------------------------------------------------------------------------------------------------------------------------------------------------------------------------------------------------------------------------------------|
| Order no. | 40542.3 / 1 drawer | Mounting acc. incl. | Installation set for furniture, order no. 49114.0, 49301.5 |
| Dimensions (WxHxD) | 1177 x 341 x 457 mm | Mounting information | The walls installed on must meet the requirements of the furniture in terms of weight and the supplied fastening elements. If this cannot be guaranteed another method of installation needs to be chosen. |
| Matching for | Washbasin bowl, order no. 81234.0, 81234.1, 81234.2, 81234.3 | Colours | 040 – Gold (laquered MDF top) 041 – Copper (laquered MDF top) 042 – Titanium (laquered MDF top) 170 – White matt (laquered MDF top) 140 – Gold / Nero marquina (ceramic top) 141 – Copper / Nero marquina (ceramic top) 142 – Titanium / Nero marquina (ceramic top) 143 – White matt / Nero marquina (ceramic top) |
| Specification | Body/Front – particle board, inside melamine dark grey on the outsides MDF panels 6 mm, lacquered Top – lacquered MDF or ceramic stoneware with marble optic with 6 mm top 1 cut out right 1 push and pull full extension drawer | | |
| Weight | with MDF top – 39,5 kg with ceramic top – 45,5 kg | | |
| Accessories excl. | Space saving siphon, order no. 89424.0 | | |

TECHNICAL DRAWINGS / S 1 : 20

