

Hood Master wall 2505 094

Hoods

Code: 2505 094



DETAILS

Material Stainless steel

Texture Satin

Chimney height Aspiring mode: 630 - 1050 mm / filtering mode: 700 - 1120 mm

Energy class A

Product details Telescopic chimney

Grease filters 3 grease filters in stainless steel

Operation Suction hood (filtering mode with optional carbon filters)

Air exhaust hole \varnothing 120/150 mm

Lighting

Air flow rate 700mc/h

Motor power 250W

Hood type Wall-mounted suction wood

Type of commands Touch Slider electronic controls

Suction speed 3 operating speeds + 1 timed intensive

Notes: Fume exhaust ducts must have an internal diameter not lower than 120 mm

FEATURES

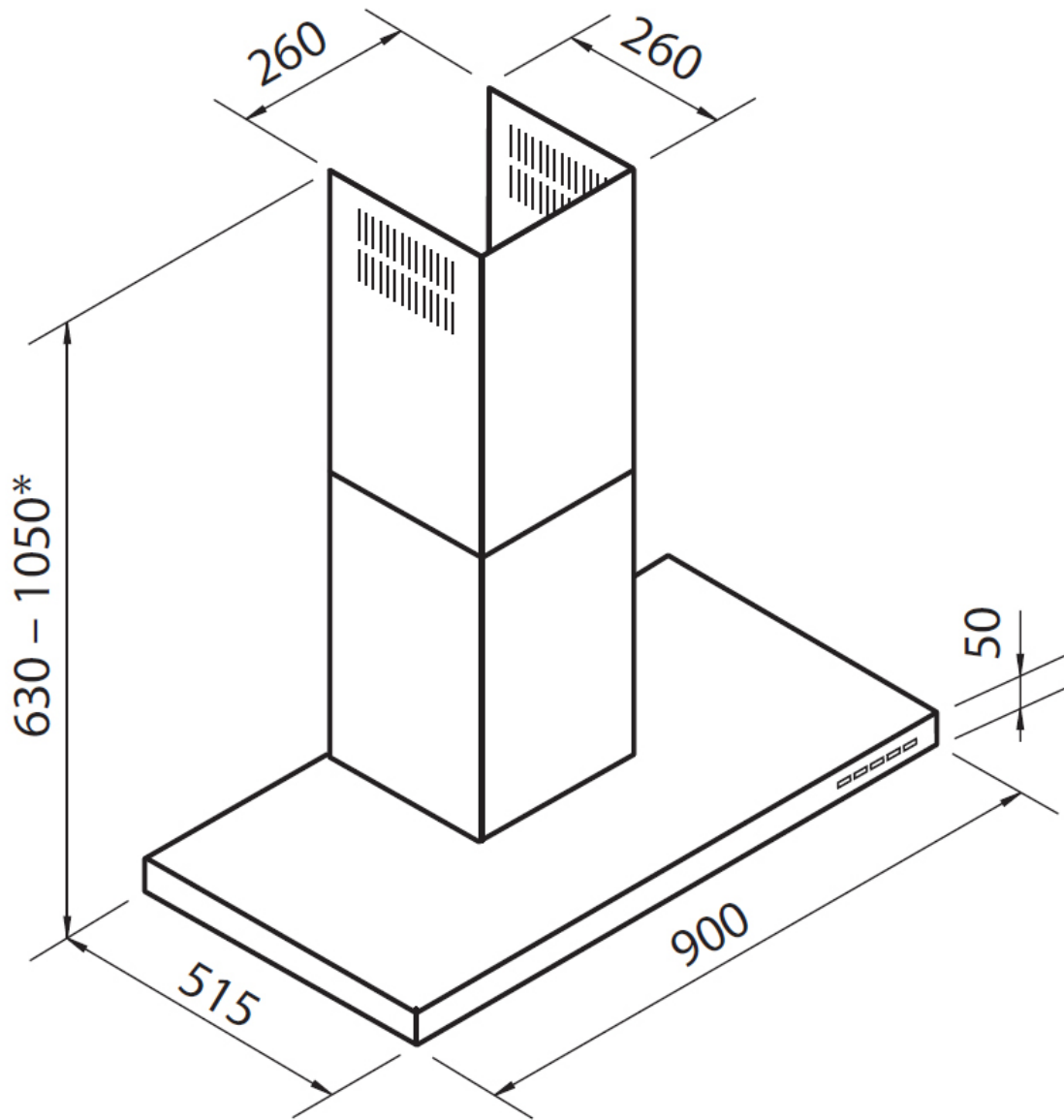
Brushless motor State-of-the-art Brushless motors allow high air flow rates while maintaining a low energy consumption. Furthermore, they have an almost never-ending duration.

Filter cleaning notice This function keeps track of the hours of use of the hood and signals the need to wash the filters in order to maintain the perfect efficiency of the hood.

Led lighting Particular attention to energy saving with LED lighting systems. They assure a 10 times lower consumption and a 10 times longer duration. Our LED lights are designed to create an adequate comfort and safety in the cooking area.

Steel filters Where the filter is in plain sight, the aluminium filtering element is covered in stainless steel. This solution improves the look and increases the durability of the product.

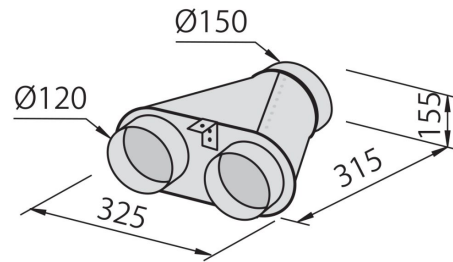
TECHNICAL DATA



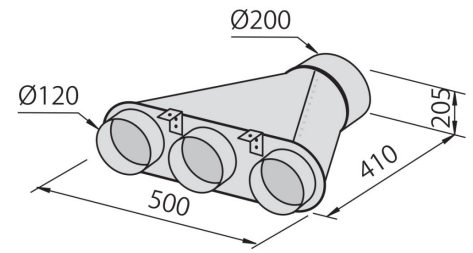
OPTIONAL ACCESSORIES



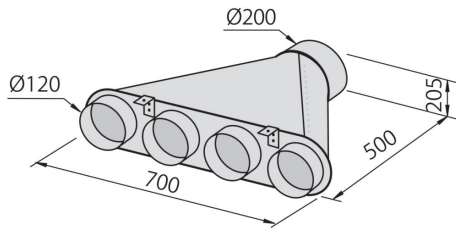
Carbon filter 9700 528



Collector for 2 pipes 2523 000



Collector for 3 pipes 2524 000



Collector for 4 pipes 2525 000



Flexible silencing canalization
9700 602



Flexible silencing canalization
9700 603