

Hood New Sky 100 bianco 2522 110



Hoods

Code: 2522 110



DETAILS

Coloring White

Material Stainless steel

Texture Painted

Energy class A+

Ceiling – false ceiling distance min 200 mm / max 280 mm

Grease filters 2 grease filters

Operation Suction hood (filtering modality not available)

Cut out

Air exhaust hole 230x80 mm

Motors Brushless

Air flow rate 930mc/h

Motor power 85W

Hood type Ceiling suction hood

Type of commands Remote control

Suction speed 4 operating speeds

Notes: Rounded edges
Supplied: Schuko electric plug

FEATURES

360° swiveling motor Swiveling motors are flexible systems that allow an easy installation, in any situation.

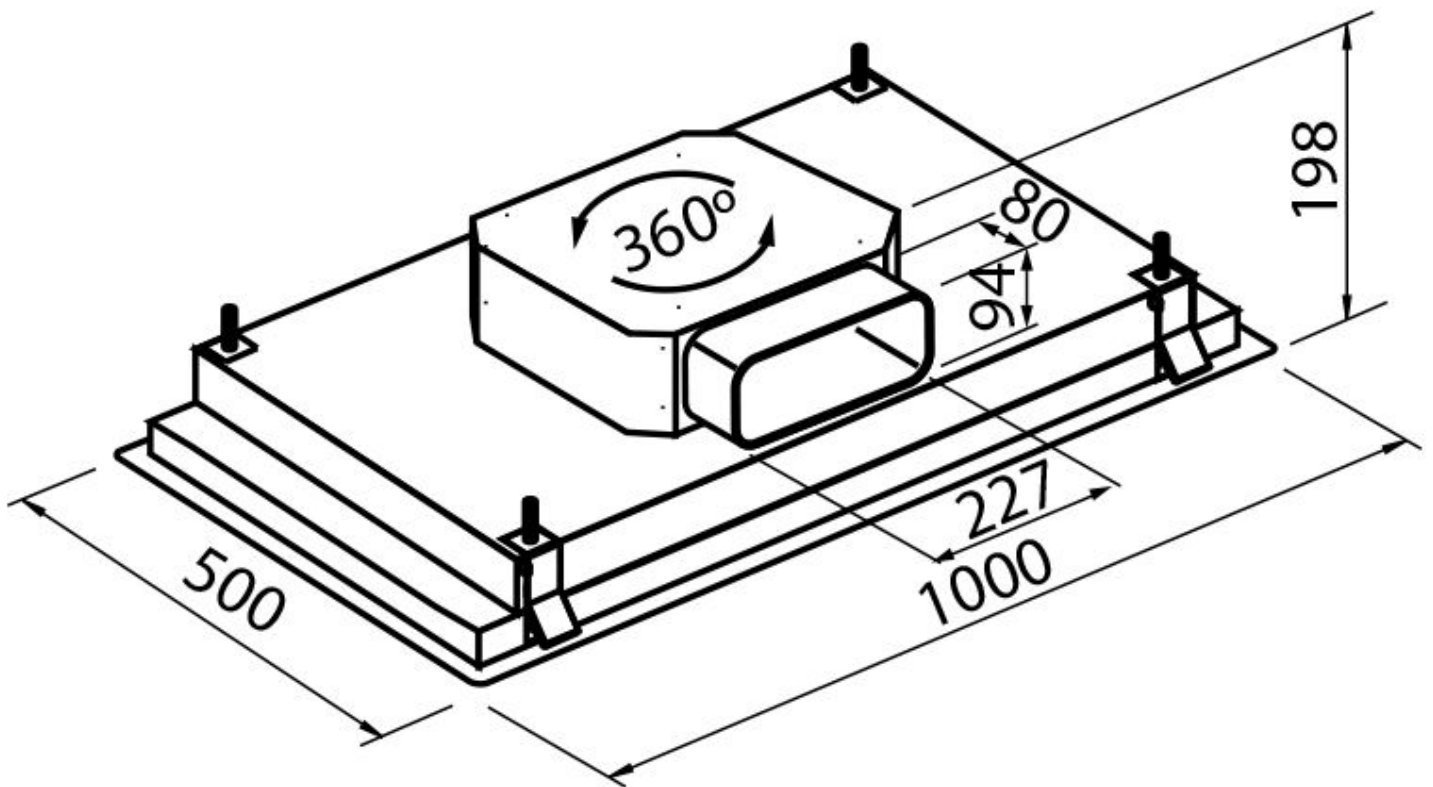
Auto delayed shutdown All the models with electronic interface can be programmed to turn off the suction at a postponed moment, so as to prolong the aeration of the room even after the cooking has been completed.

Brushless motor State-of-the-art Brushless motors allow high air flow rates while maintaining a low energy consumption. Furthermore, they have an almost never-ending duration.

Perimetric aspiration The perimeter suction is a feature common to many Foster hoods. The filters are hidden by steel- or crystal plates and the suction occurs along their perimeter. This has aesthetic advantages but also functional ones: the cleaning is easier, the suction power and noise-level are improved. The depression which occurs in the perimeter area facilitates in fact the suction of the particles composing the fumes.

Remote control The ceiling suction systems and the Maya hoods are equipped with a remote control to easily activate all their functions from any position.

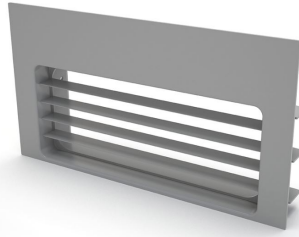
TECHNICAL DATA



OPTIONAL ACCESSORIES



Active charcoal refill for Long Life filter 9700 904



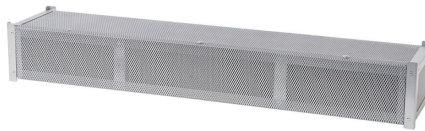
Grid for plinth gray color 9700 539



Horizontal 15° Corner connector - rectangular section 9700 536



No-return valve 9700 538



Professional Long Life charcoal filter 9700 903



Rectangular/round adapter 9700 537



White connector - rectangular section 9700 533



White flexible tube with rectangular section 2541 000



White Horizontal 90° Corner connector - rectangular section 9700 534



White tube - rectangular section 9700 532



White Vertical 90° Corner connector - rectangular section 9700 535

