

Hand shower set with cover plate FlowReduce - Chrome

MEM

27 818 980



Fits: MEM, CL.1, CYO

- COMPACT RAIN, max. flow rate 6.8 l/min (at 3 bar)
- with anti-scale system
- 3/8" shower outlet
- cover plate 240 x 60 mm
- metal shower hose 1250mm with integrated anti-twist protection
- 1/2" wall elbow
- This product can help a building meet the requirements of Green Building Rating Systems, e.g. LEED®, BREEAM®, DGNB

Intrinsic protection against back flow.

	Chrome	27 818 980-00 0010
	Chrome	27 818 980-00
	Brushed Platinum	27 818 980-06
	Brushed Platinum	27 818 980-06 0010
	Platinum	27 818 980-08
	Platinum	27 818 980-08 0010
	Dark Chrome	27 818 980-19
	Dark Chrome	27 818 980-19 0010
	Brushed Light Gold	27 818 980-27
	Brushed Durabass (23kt Gold)	27 818 980-28 0010
	Brushed Durabass (23kt Gold)	27 818 980-28
	Matte Black	27 818 980-33
	Matte Black	27 818 980-33 0010
	Brushed Champagne (22kt Gold)	27 818 980-46 0010
	Brushed Champagne (22kt Gold)	27 818 980-46
	Champagne (22kt Gold)	27 818 980-47 0010
	Champagne (22kt Gold)	27 818 980-47
	Brushed Chrome	27 818 980-93 0010
	Brushed Chrome	27 818 980-93
	Brushed Dark Platinum	27 818 980-99
	Brushed Dark Platinum	27 818 980-99 0010

27 818 980

Recommended miscellaneous



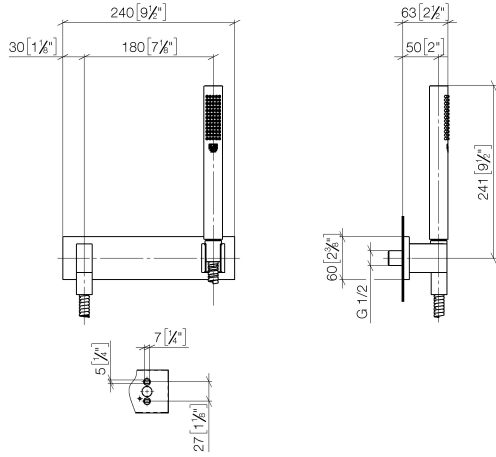
Concealed wall elbow -

- max. recess depth 163 mm
- min. recess depth 90 mm

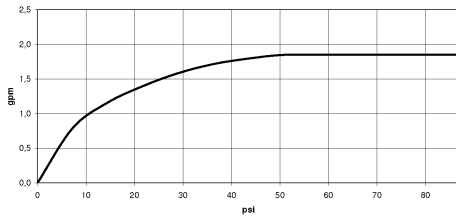
35 085 970 90

27 818 980

mm [inches]



Flow rate chart



Codes & Standards

ASME A112.18.1

cUPC

DIN 4109

ISO 3822

Ü-Zeichen



Hand shower set with cover plate FlowReduce - Chrome

MEM

27 818 980

Certificates

IAPMO_4976

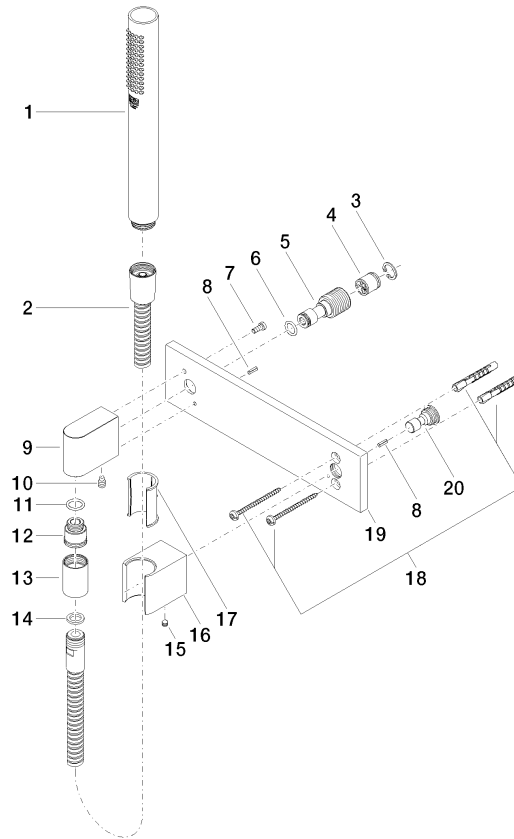
LGA_29

27 818 980

Product version up to 7/19/2018

Product version from 7/19/2018 to 3/2/2021

Product version from 3/2/2021





Hand shower set with cover plate FlowReduce - Chrome

MEM

27 818 980

Spare parts list

Product version up to 7/19/2018

Product version from 7/19/2018 to 3/2/2021

Product version from 3/2/2021

No.	Item Number	Name	Quantity used	Delivery time
	90 12 11 140 30-00	shower	21	10