

Colonial

Colonial 4way high flow
21044/O-CR

TECHNICAL INFORMATION

4 ways high flow concealed horizontal thermostatic mixer.
Colonial plate and handles. CHROME

Flow rate:

p (bar)	0,5	1	1,5	2	2,5	3
Q1 (l-min)	18	24	27,5	30	31,5	33
Q2 (l-min)	20	26,5	30	33,5	36,5	39
Q3 (l-min)	20,5	27	30,5	34	37,5	40
Q4 (l-min)	21	27,5	31	34,5	38	40

Q_n = portata 1-2-3-4 uscite / 1-2-3-4 outlet flow rate

PICTURE



SPARE PARTS



ORIC007



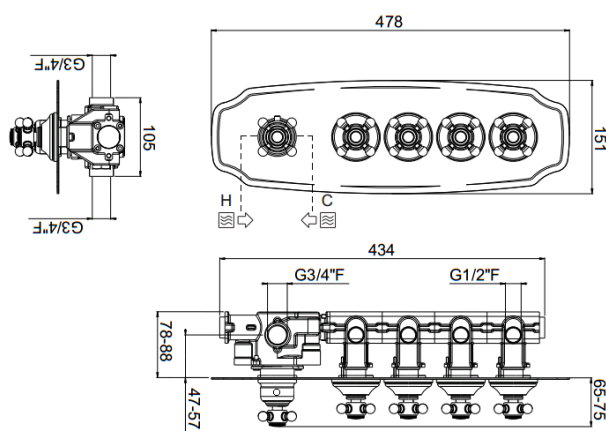
ORIC010
T°

FEATURES



Easy installation

TECHNICAL DRAWING



FINISHINGS

