



Name: MEI OVAL

Design: Taller/Estudi Bover / 2006

Typology: Pendant lamp

Environment: Indoor

#### Technical description

Pendant lamp providing diffused light through a translucent, oval shaped shade of hand wrapped polyester blend ribbon. The iron frame is available in brown or black, or with a satin nickel finish. The electrical connection is transparent, and the included polycarbonate diffuser. Height can be adjusted by tensor wire.



#### Lamps description

 Earthing: compulsory

 Ready for mounting on normally flammable surface

 3 x 42 W Classic P ECO E-27

 3 x 11 W E-27

Voltage: 230V~50Hz

 1 Box 35 x 105 x 45 cm

Vol.: 0,1654 m<sup>3</sup>

Weight: 4 kg

Certifications:  

#### Ref Finishings

4319903 Brown iron

4319904 Black iron

4319905 Satin nickel

Oval lampshade 39.37" x 9.65" x 17.32"

P-545C White translucent ribbon

P-546C Cream translucent ribbon

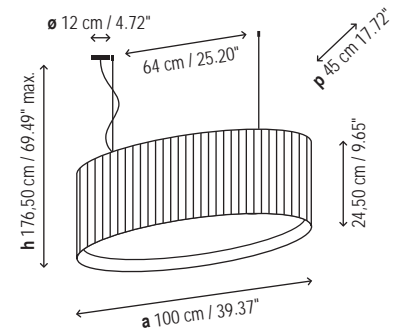
P-547C Black translucent ribbon

P-548C White cotton

Adjustable tensor wire

#### Customizable

#### Measures



#### Project information

Project name:

Approved by:

Fixture type:

Date:

Location:

Prepared by:

Comments:

Prepared for:

#### Photometrics