

ilTondo

ilTondo 2way high flow
21029/O-CR

TECHNICAL INFORMATION

2 ways high flow concealed horizontal thermostatic mixer. Square plate and round handles. CHROME

Flow rate:

| p (bar) | 0,5 | 1 | 1,5 | 2 | 2,5 | 3 |
|------------|-----|------|------|------|------|----|
| Q1 (l-min) | 18 | 24 | 27,5 | 30 | 31,5 | 33 |
| Q2 (l-min) | 20 | 26,5 | 30 | 33,5 | 36,5 | 39 |

Qn = portata 1-2 uscite / 1-2 outlet flow rate

PICTURE



SPARE PARTS



ORIC007



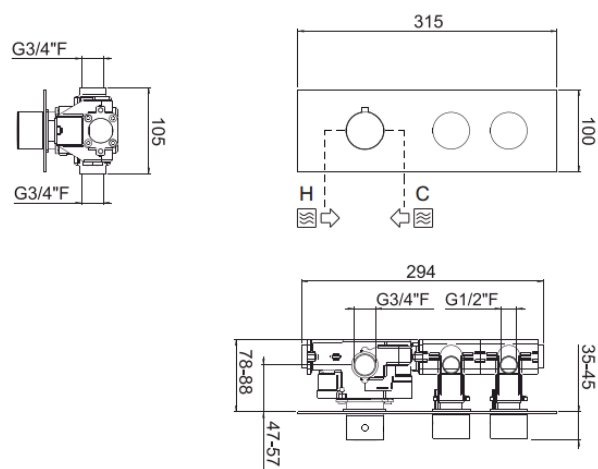
ORIC010
T°

FEATURES



Easy installation

TECHNICAL DRAWING



FINISHINGS

