

ilTondo

ilTondo 3way high flow
21039/O-CR

TECHNICAL INFORMATION

3 ways high flow concealed horizontal thermostatic mixer. Square plate and round handles. CHROME

Flow rate:

p (bar)	0,5	1	1,5	2	2,5	3
Q1 (l-min)	18	24	27,5	30	31,5	33
Q2 (l-min)	20	26,5	30	33,5	36,5	39
Q3 (l-min)	20,5	27	30,5	34	37,5	40

Qn = portata 1-2-3 uscite / 1-2-3 outlet flow rate

PICTURE



SPARE PARTS



ORIC007



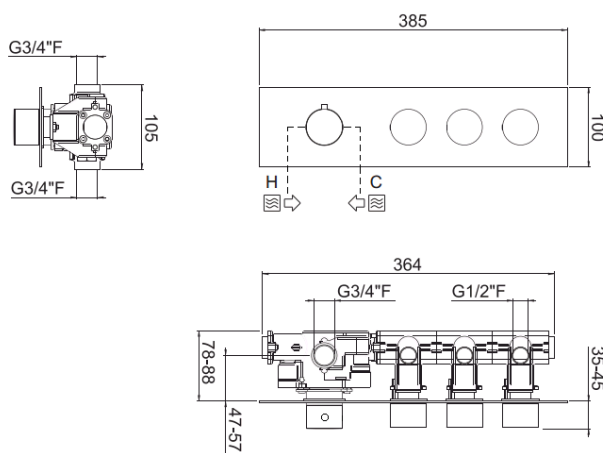
ORIC010
T°

FEATURES



Easy installation

TECHNICAL DRAWING



FINISHINGS

