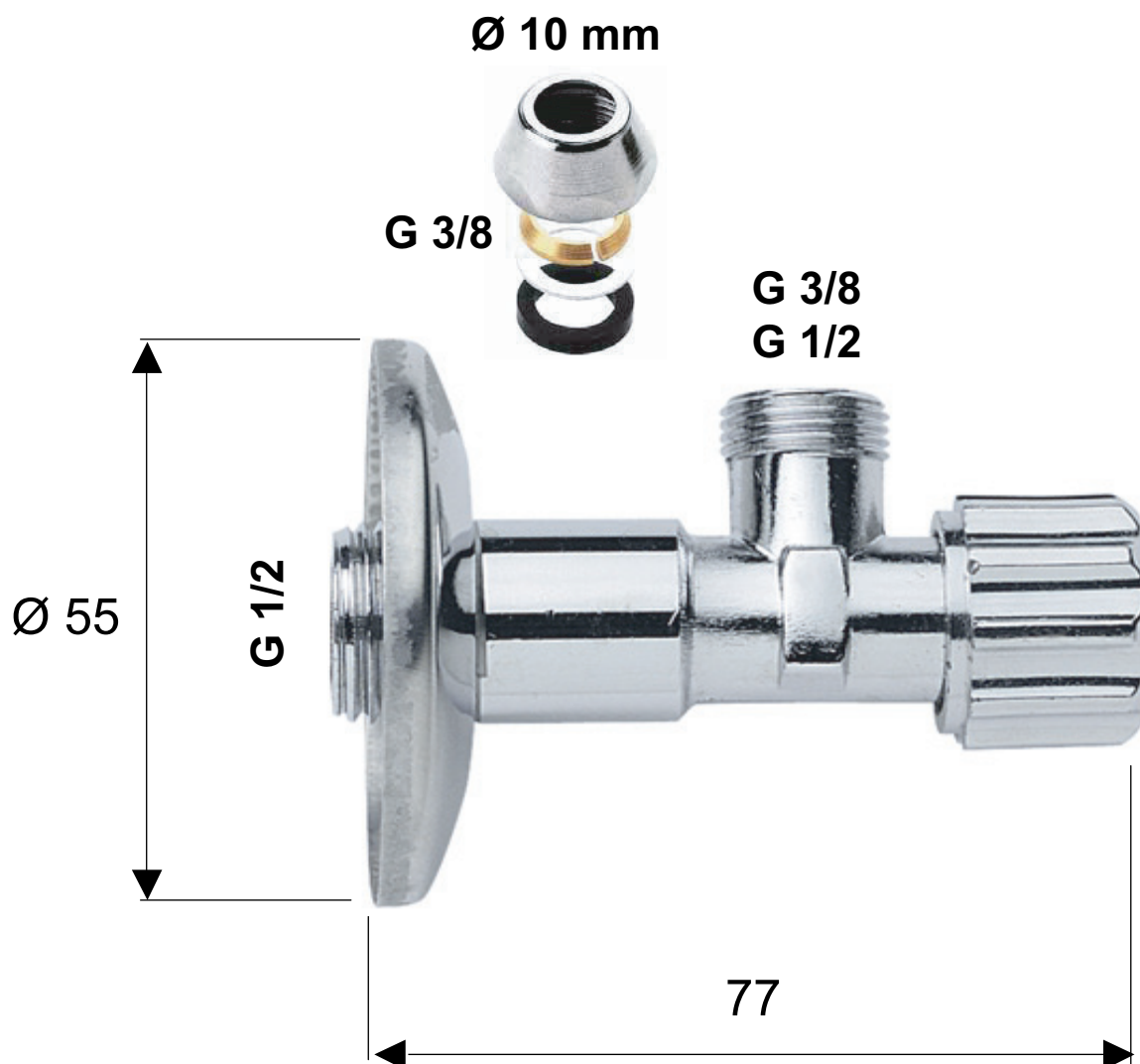


ART. COD.

**A675**  $\frac{1}{2} \times \frac{3}{8} - \frac{1}{2} \times 10$   
 $\frac{1}{2} \times \frac{1}{2}$



**MATERIALI / MATERIALS**

OTTONE CROMATO / CHROME PLATED BRASS

**CROMATURA / CHROME PLATING**

UNI EN 248