

# ilTondo

ilTondo single high flow thermostatic  
**21009-CR**

## TECHNICAL INFORMATION

Single high flow thermostatic part. Square plate and round handle. CHROME

## FEATURES

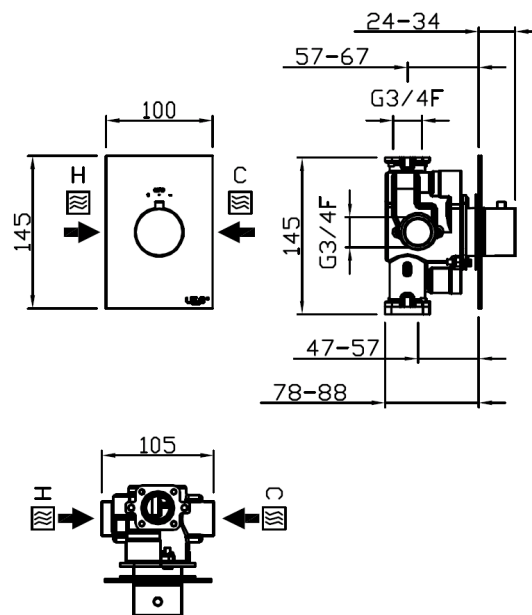


Easy installation

## PICTURE



## TECHNICAL DRAWING



## SPARE PARTS



ORIC010  
T°

## FINISHINGS

