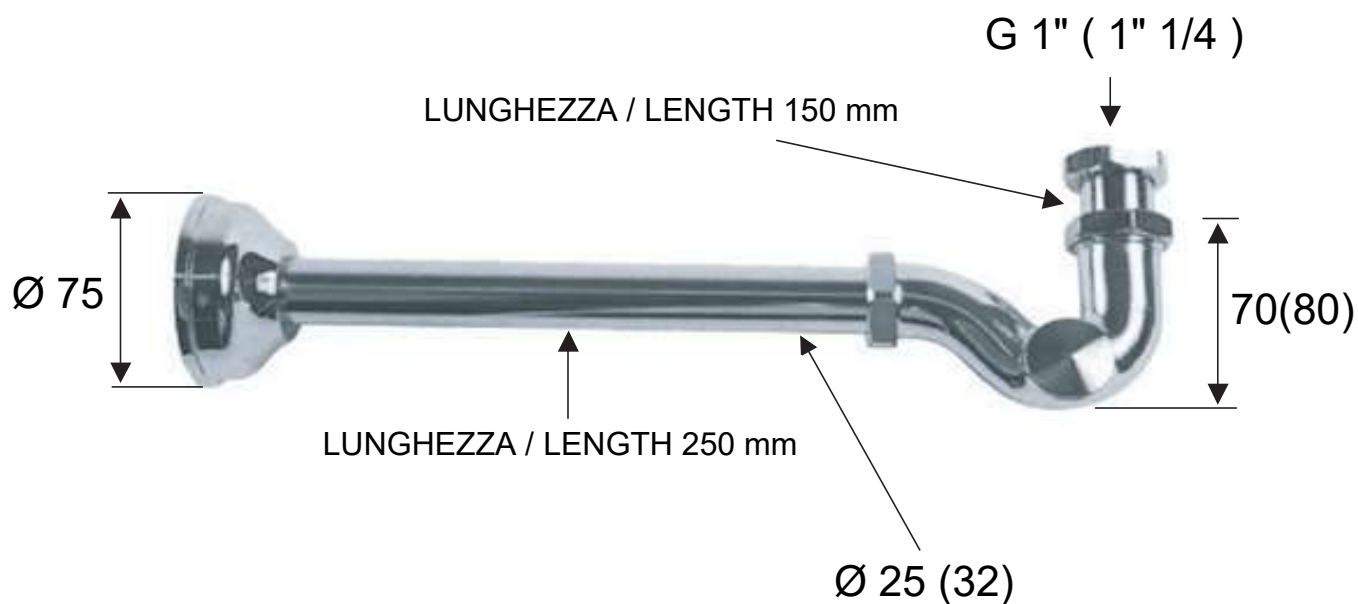


ART. COD. **A766Z**



MATERIALI / MATERIALS

ZAMA

CROMATURA / CHROME PLATING

UNI EN 248