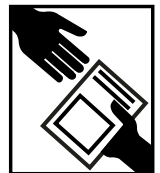


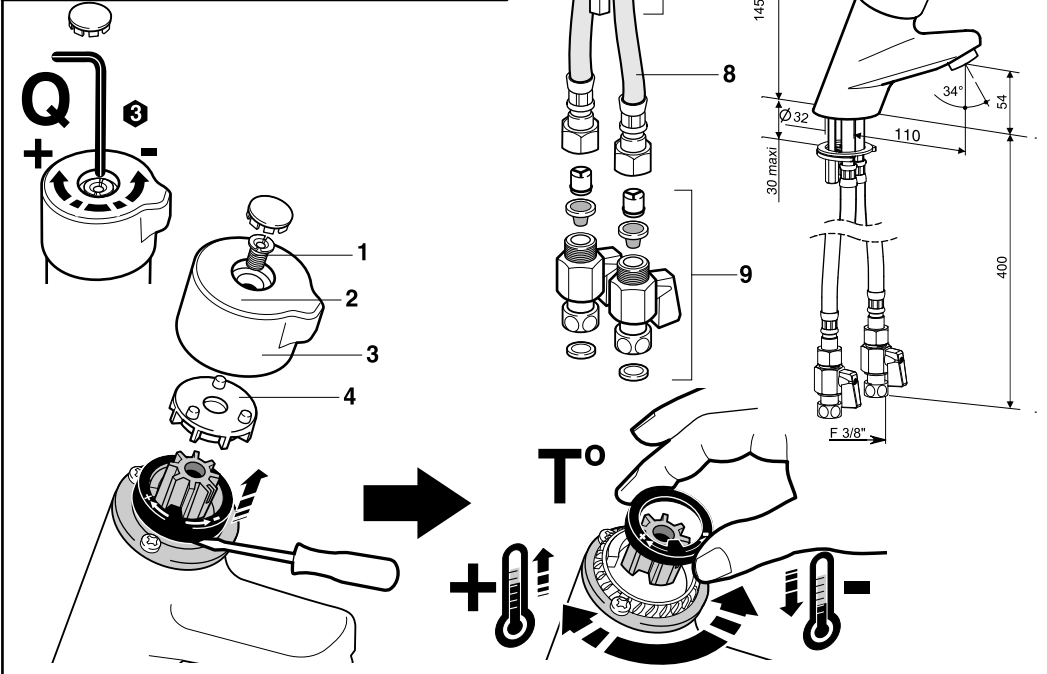
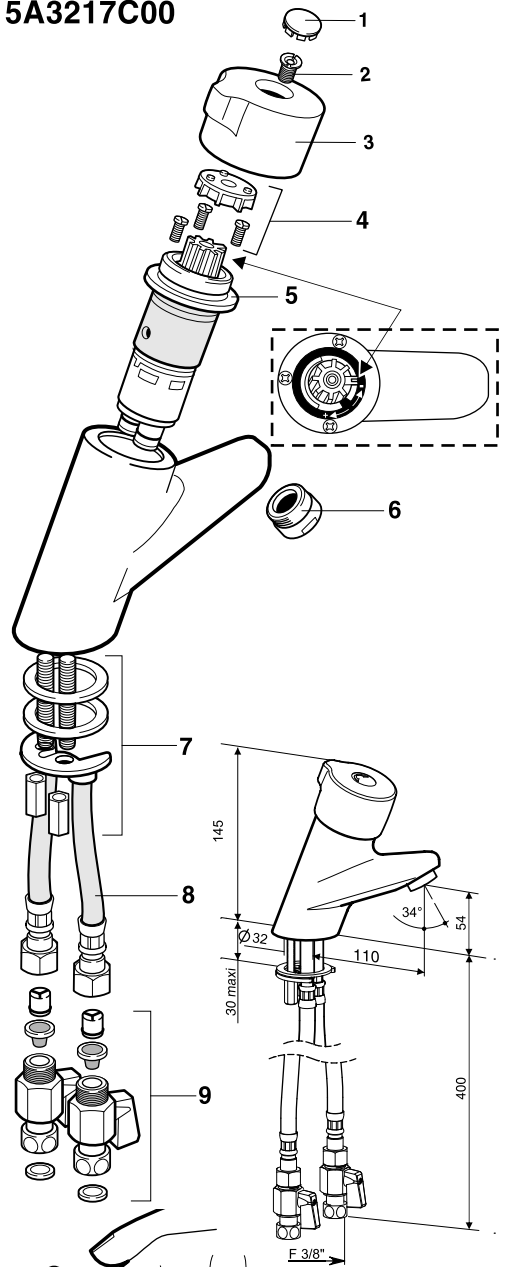
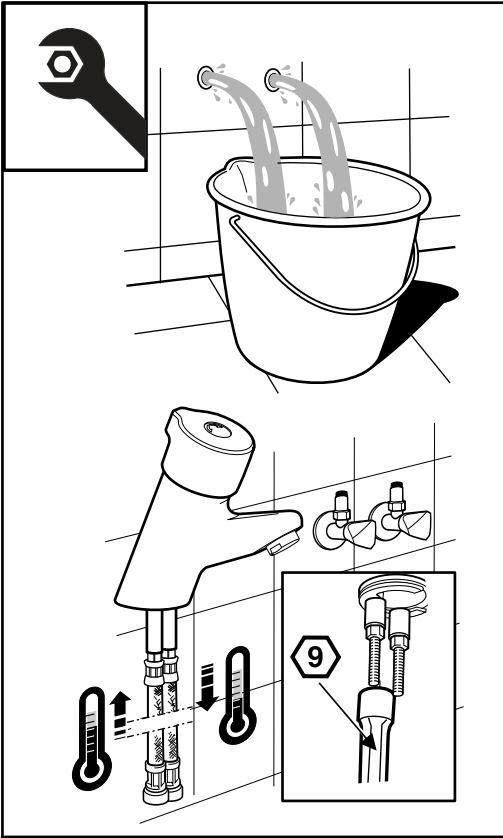
**Roca**

---

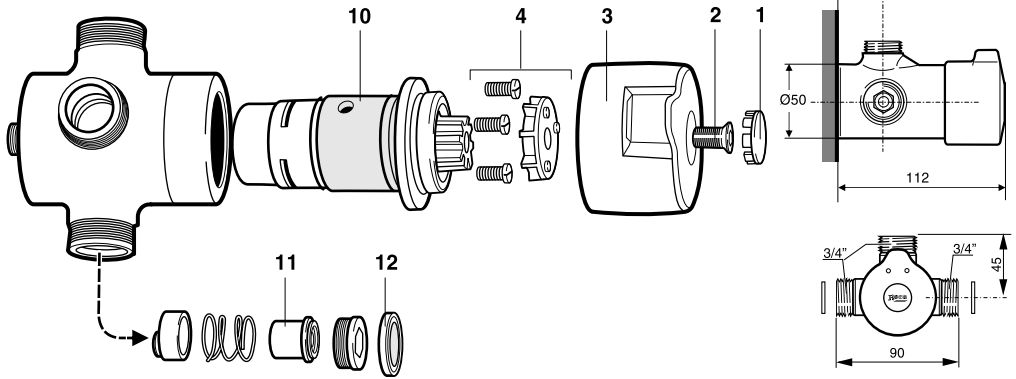
# SPRINT



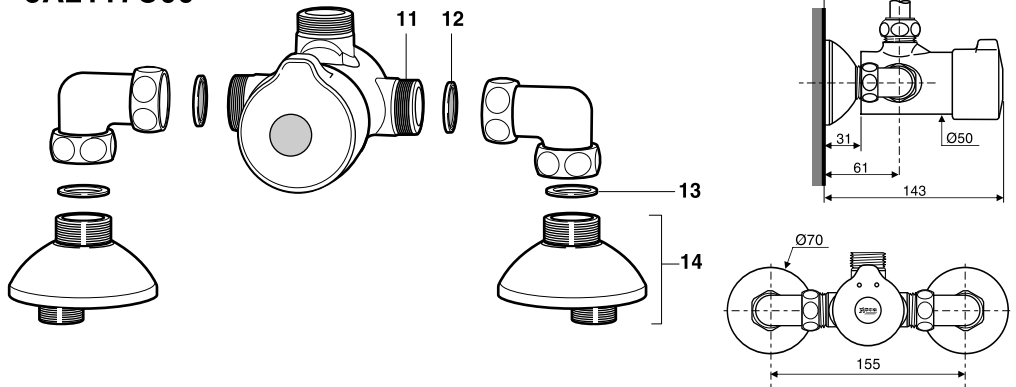
5A3217C00



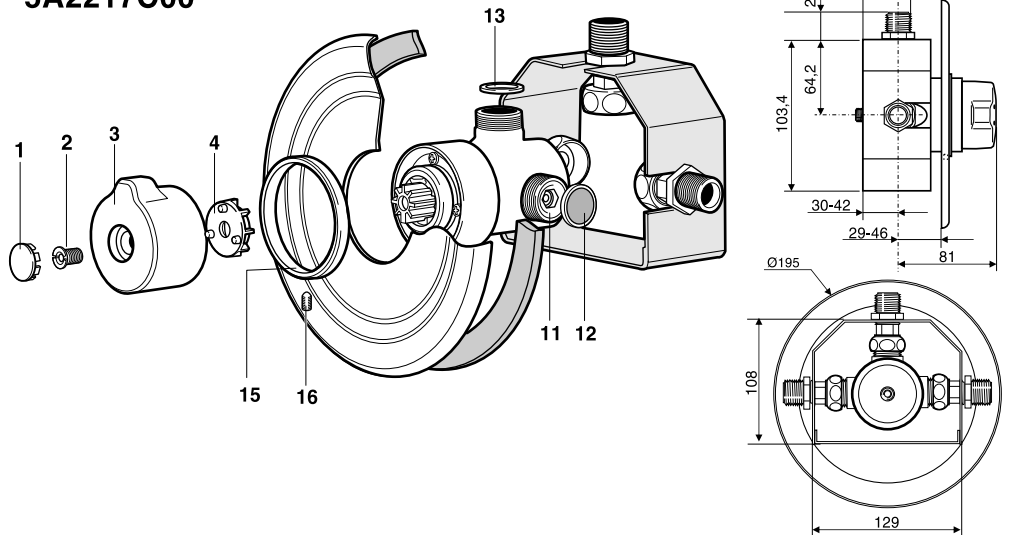
### 5A2517C00

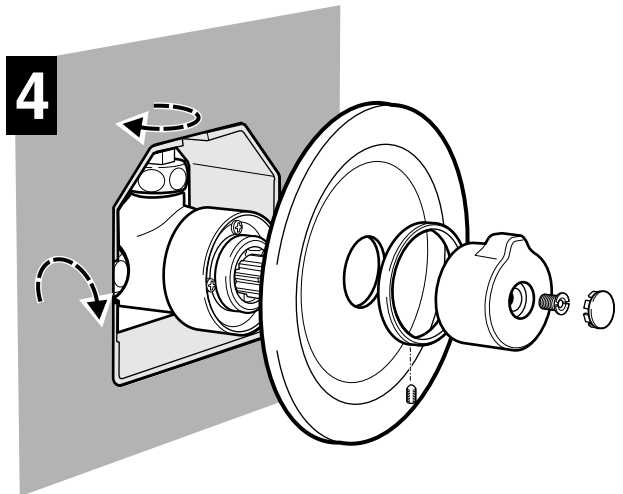
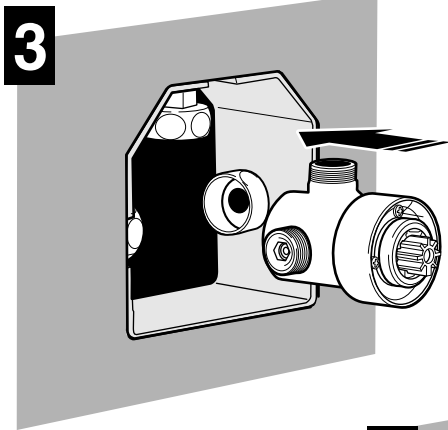
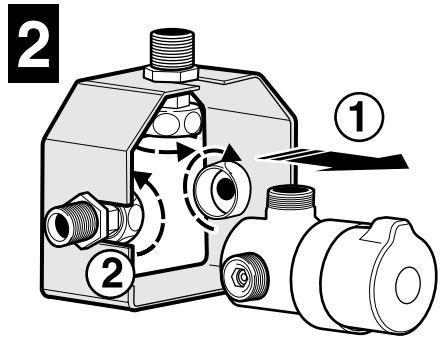
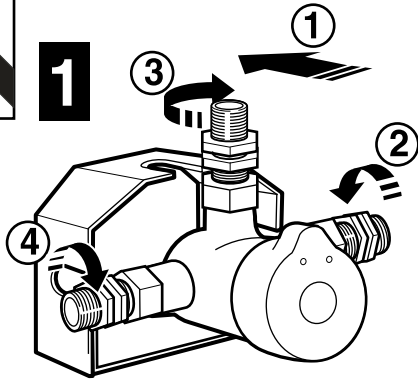




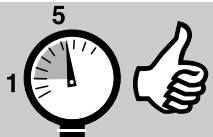



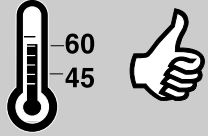







### 5A2117C00



### 5A2217C00





 <b>P</b>	<b>P</b> bar	 0,5 <b>MAX.</b> 10	 1 5 
 <b>T</b>	<b>°C</b>	 60 <b>MAX.</b>	 60 45 
 <b>Q</b> (3 bar)	<b>l/min</b>	 3-7	 12-21
	<b>(seg.)</b>	 15	 30

1 - 5048311  
2 - 5026233  
3 - 5015215  
4 - 5057199

5 - 5059111  
6 - 5057198  
7 - 5057197  
8 - 5057198

9 - 5051236  
10 - 5059084  
11 - 5051239  
12 - 5020404

13 - 5037507  
14 - 5055208  
15 - 5017502  
16 - 5026611

**Roca Sanitario, S.A.**

Avda. Diagonal, 513  
08029 Barcelona SPAIN  
Teléfono 93 366 1200  
Fax 93 419 4501  
[www.roca.es](http://www.roca.es)

