

## Sink GK 1403 100

Sinks

Code: 1403 100



### DETAILS

Finish Foster brushed

---

Material AISI 304 stainless steel

---

Texture Satin

---

Base 60 cm

---

Edge/Installation Type Flat Edge

---

Dimensions 580x480 mm

---

Standard fittings Fixing hooks, gasket, drain, overflow and siphon, boxed packing

---

Mixer holes 2 standard holes

---

Built-in hole 567x467 mm

---

Drainer No

---

Width 58 cm

---

Bowl dimension 450x400mm

---

Number of bowls 1 bowl

---

Waste fitting Drain with automatic control SPACE

---

## FEATURES

**Automatic waste fitting** The waste-fitting with round remote knob is supplied; a practical accessory which makes it unnecessary to get wet in order to drain the water from the bowl.

---

**Diamond-shape bottom** The draining of water is an important feature in a sink, and it's always taken good care of in Foster products. In the bent-welded sinks, which would have a flat bottom, the proper draining is guaranteed by the elegant beveling, which helps the water flow.

---

**Double mixer hole** The large tap counter is already fitted with a series of 2 tap holes. In the second hole it is possible to install the remote control of the automatic drain or, alternatively, a practical soap dispenser.

---

**High thickness** 1mm thick steel. A significant thickness, which guarantees the maximum sturdiness and durability.

---

**Inclined recess** A deep and inclined recess houses the burners and grigs, allowing to create a single work surface. The inclination also makes it extremely easy to clean the edges.

---

**Perimetral overflow** The overflow is always a security on the Foster sinks that prevents the overflow of water in case of oversights. The perimeter drain solution improves aesthetics thanks to its square and essential shape.

---

**Save space system** Drain and siphon are designed to leave as much space as possible in the under-sink area, more and more useful today for theseparate waste collection systems.

---

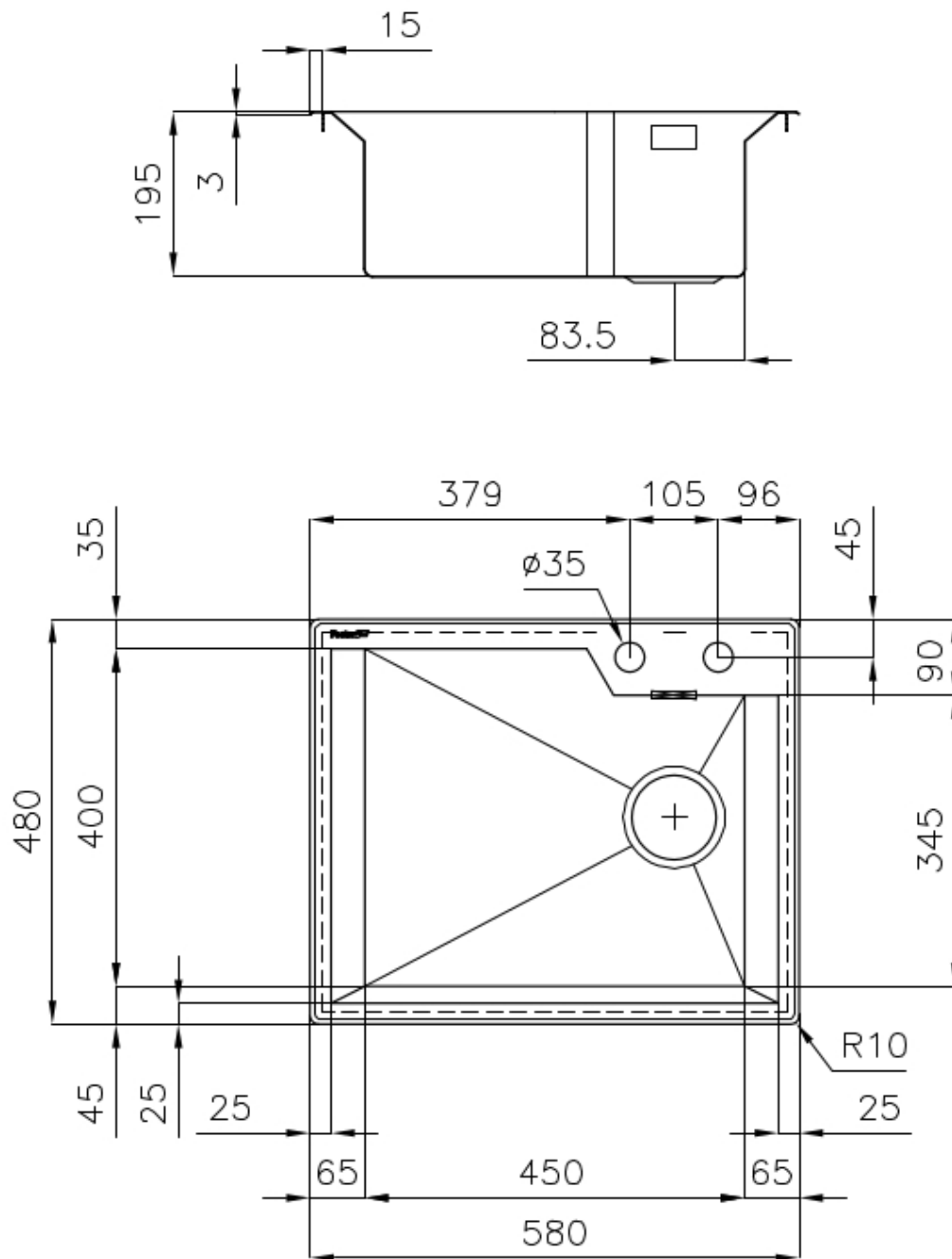
## Space waste fitting

The elegant SPACE steel cap closes the drain and leaves no visible residues collected in the basket below. Space also has a small footprint and allows the optimal use of the under-sink compartment.

## Squared bowls - 0/9 radius

The square bowls of Foster have perfectly squared vertical edges, while those on the bottom have a small radius of 9 mm that facilitates cleaning operations.

## TECHNICAL DATA



## GALLERY



## EQUIPMENT



Space automatic waste fitting  
8407 108

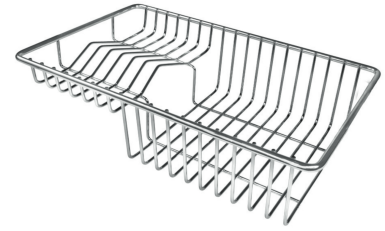
## OPTIONAL ACCESSORIES



HPDE twin chopping board 8644 100



Iroko-wood sliding chopping board 8656 001



Stainless steel plate rack 8100 303



Graters kit with ring-holder and food collection tray 8159 101



Stainless steel perforated tray 8151 000

## RECOMMENDED PAIRINGS



Mixer Tap GK 8488 000