

Features

- Six Flexjet® hydromassage jets can be individually adjusted for water flow and direction.
- Variable speed pump for adjusting massage intensity.
- Built-in heater.
- Generous 72" length provides spacious bathing for up to two people.
- Integral lumbar support.
- Textured bottom surface.

Material

- KOHLER® enameled cast iron.

Installation

- Drop-in or undermount.
- Reversible drain.

Required Products/Accessories

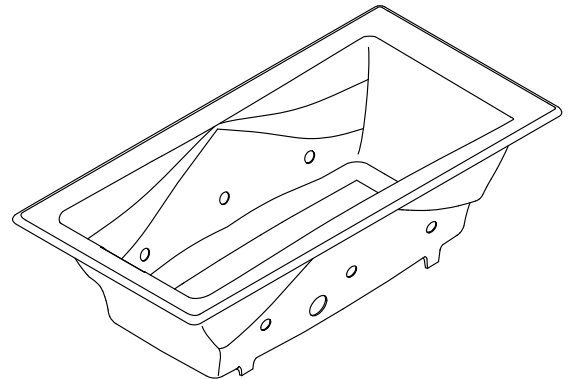
- K-7169-AF 1-1/2" Contoured Pop-up Drain
- K-9696 Whirlpool 6-Jet Trim Kit

Recommended Products/Accessories

- K-1179 Vinyl Tiling-in Bead
- K-1703 Whirlpool Remote Control
- K-586 Under-Mount Installation Kit
- K-1172 Adjustable feet
- K-1491 Bath/Whirlpool Pillow
- K-1601 Bath/Whirlpool Footstop
- K-9497 2-1/2" Keypad Trim
- K-702200-G54 Frameless Sliding Bath Door
- K-702200-G73 Frameless Sliding Bath Door
- K-702200-L Frameless Sliding Bath Door
- K-702205-L Frameless Sliding Bath Door

Included Components

- Additional Components:
40" (1016 mm) cable



ADA

Codes/Standards

- ASME A112.19.1/CSA B45.2
- ASME A112.19.7/CSA B45.10
- ASTM F462
- UL 1795
- CSA C22.2 No. 218.2
- ADA
- ICC/ANSI A117.1




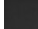
KOHLER® Enameled Cast Iron Bath and Shower Base Lifetime Limited Warranty

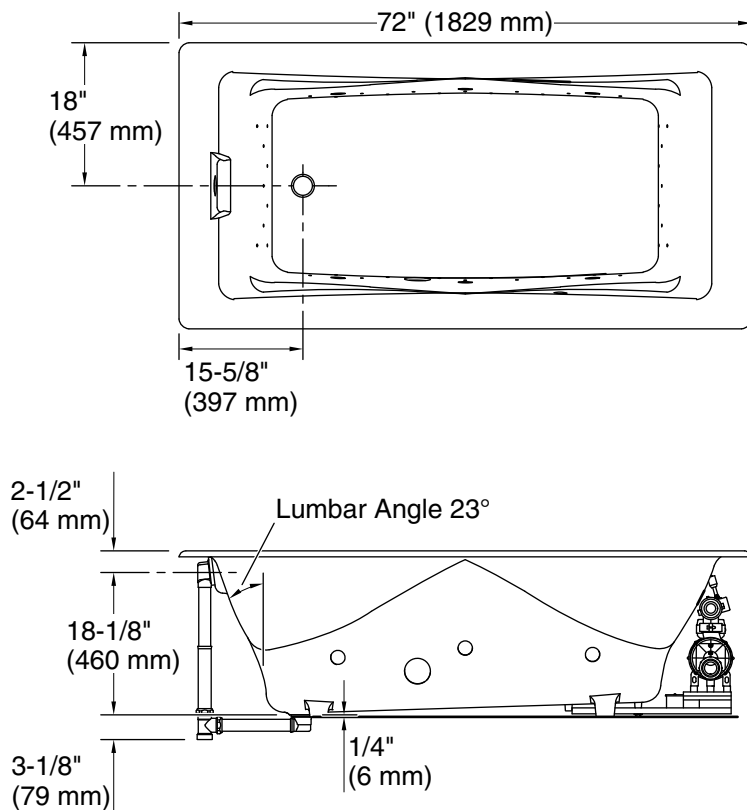
KOHLER® Hydrotherapy Components Five-Year Limited Warranty

See website for detailed warranty information.

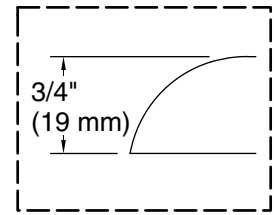
Available Colors/Finishes

Color tiles intended for reference only.

Color	Code	Description
	0	White
	96	Biscuit
	NY	Dune
	7	Black Black™

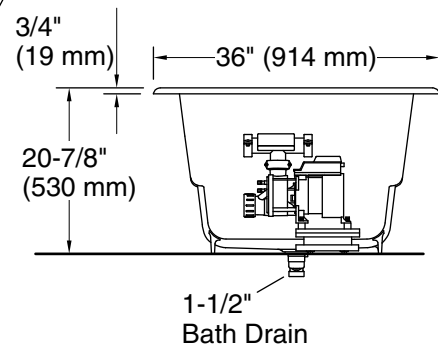


No change in measurements if connected with drain illustrated. (K-7169AF)



Drop-in Rim Detail

Blower Motor Access
20" (508 mm) W x 15" (381 mm) H Min



Required Electrical Service

Two dedicated circuits required, protected with Class A Ground-Fault Circuit-Interrupter (GFCI). Outside North America, this device may be known as a Residual Current Device (RCD).

Pump: 120 V, 15 A, 60 Hz
Heater: 120 V, 15 A, 60 Hz

Technical Information

All product dimensions are nominal.

Installation: Drop-in, Undermount
Drain location: End
Basin area, bottom: 49" x 22" (1245 mm x 559 mm)
Basin area, top: 62" x 28" (1575 mm x 711 mm)
Weight: 455 lbs (206.4 kg)
Minimum floor load: 69 lbs/ft² (336.9 kg/m²)
Water depth: 17" (432 mm)
Water capacity: 89 gal (336.9 L)
Cutout: Drop-in, 70-1/4" x 34-1/2" (1784 mm x 876 mm)
Template: K-582, not required, not included
Electrical component rating: Pump: 120 V, 7 A, 60 Hz
Heater: 120 V, 12 A, 60 Hz

Notes

Measure your actual product for rough-in details. Install this product according to the installation instructions.

The hot water supply should be 70% of the capacity of the bath or greater. Installations will vary.

ADA compliant when installed to the specific requirements of these regulations.