

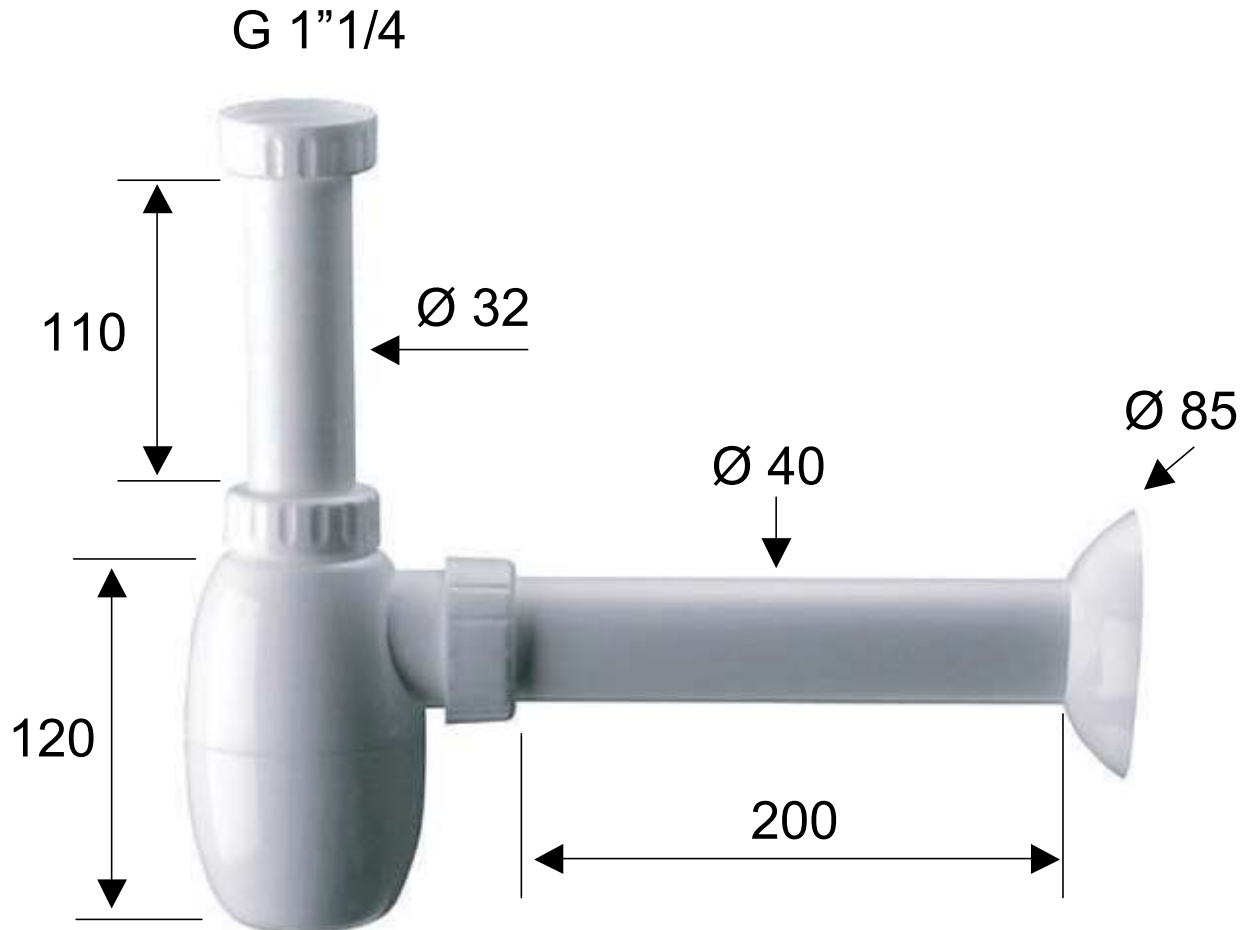


SCHEDA TECNICA TECHNICAL FEATURES

DANIEL

ART. COD.

A765P



MATERIALI / MATERIALS

LD-PE
NBR